



Dealers Industrial Equipment

No.:

Date: 23-SEP-2016

Customer :

TECHNICAL PROPOSAL

Three-phase induction motor - Squirrel cage rotor

Product line : Three-Phase : Explosion Proof - NEMA Premium

Catalog Number : 04012XT3H364T

List Price : \$10,576

Notes:

Downloaded from <http://dealerselectric.com>

Generated for Model #04012XT3H364T

Performed by:

Checked:



# Dealers Industrial Equipment

No.:

Date: 23-SEP-2016

## DATA SHEET Three-phase induction motor - Squirrel cage rotor

Customer :  
Product line : Three-Phase : Explosion Proof - NEMA Premium

Frame : 364/5T  
Output : 40 HP  
Frequency : 60 Hz  
Poles : 6  
Full load speed : 1185 rpm  
Slip : 1.25 %  
Voltage : 575 V  
Rated current : 37.7 A  
Locked rotor current : 264 A  
Locked rotor current (I<sub>L</sub>/I<sub>n</sub>) : 7.0  
No-load current : 14.0 A  
Full load torque : 175 lb.ft  
Locked rotor torque : 230 %  
Breakdown torque : 230 %  
Design : B  
Insulation class : F  
Temperature rise : 80 K  
Locked rotor time : 24 s (hot)  
Service factor : 1.15  
Duty cycle : S1  
Ambient temperature : -20°C - +40°C  
Altitude : 1000 m  
Degree of Protection : IP55  
Approximate weight : 1010 lb  
Moment of inertia : 29.040 sq.ft.lb  
Noise level : 65 dB(A)

	D.E.	N.D.E.	Load	Power factor	Efficiency (%)
Bearings	6314 C3	6314 C3	100%	0.85	94.1
Regreasing interval	14267 h	14267 h	75%	0.80	94.1
Grease amount	27 g	27 g	50%	0.72	93.6

### Notes:

Downloaded from <http://dealerselectric.com>  
Generated for Model #04012XT3H364T

Performed by

Checked



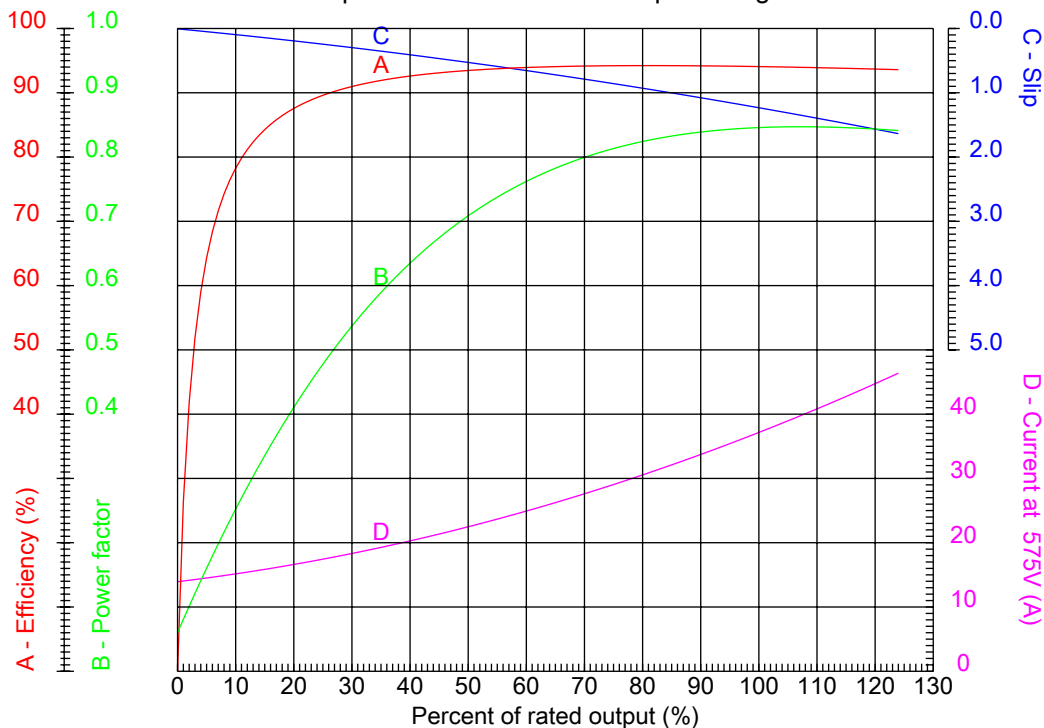
# Dealers Industrial Equipment

No.:

Date: 23-SEP-2016

## PERFORMANCE CURVES RELATED TO RATED OUTPUT

Three-phase induction motor - Squirrel cage rotor



Customer :  
 Product line : Three-Phase : Explosion Proof - NEMA Premium

Frame	: 364/5T	Locked rotor current (I <sub>L</sub> /I <sub>n</sub> )	: 7.0
Output	: 40 HP	Duty cycle	: S1
Frequency	: 60 Hz	Service factor	: 1.15
Full load speed	: 1185 rpm	Design	: B
Voltage	: 575 V	Locked rotor torque	: 230 %
Rated current	: 37.7 A	Breakdown torque	: 230 %
Insulation class	: F		

Notes:  
 Downloaded from <http://dealerselectric.com>  
 Generated for Model #04012XT3H364T

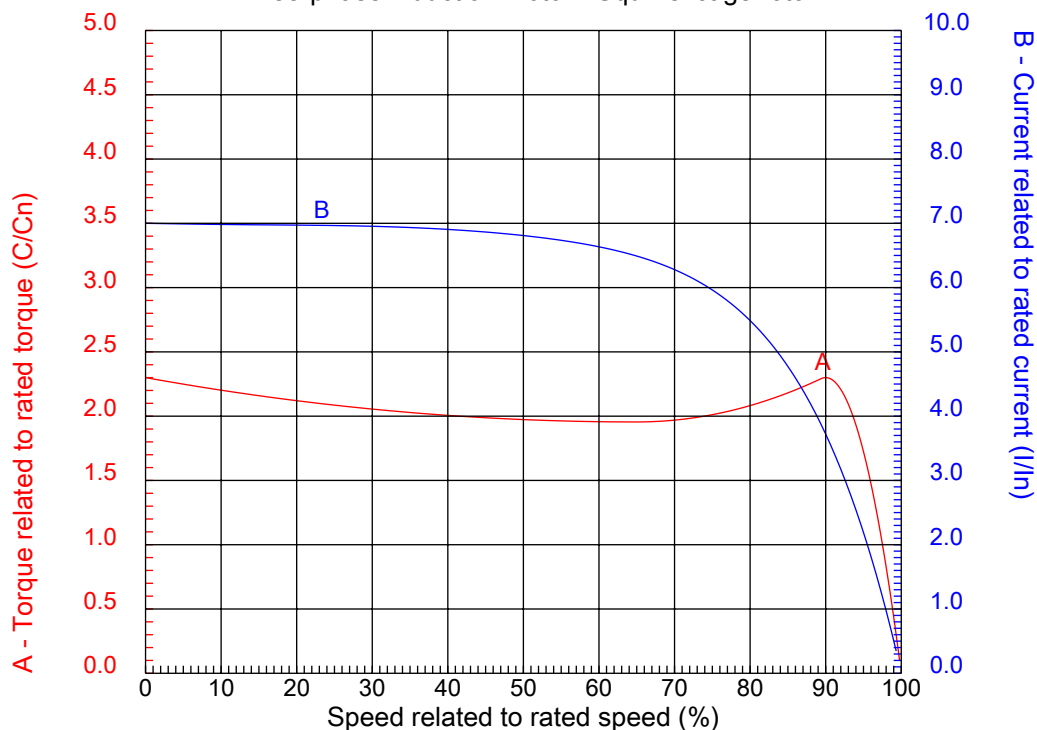
Performed by

Checked



## CHARACTERISTIC CURVES RELATED TO SPEED

Three-phase induction motor - Squirrel cage rotor



Customer :  
Product line : Three-Phase : Explosion Proof - NEMA Premium

Frame	: 364/5T	Locked rotor current (I <sub>l</sub> /I <sub>n</sub> )	: 7.0
Output	: 40 HP	Duty cycle	: S1
Frequency	: 60 Hz	Service factor	: 1.15
Full load speed	: 1185 rpm	Design	: B
Voltage	: 575 V	Locked rotor torque	: 230 %
Rated current	: 37.7 A	Breakdown torque	: 230 %
Insulation class	: F		

Notes:  
Downloaded from <http://dealerselectric.com>  
Generated for Model #04012XT3H364T

Performed by

Checked

1 2 3 4 5 6 7 8

A

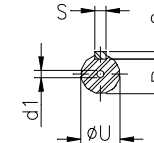
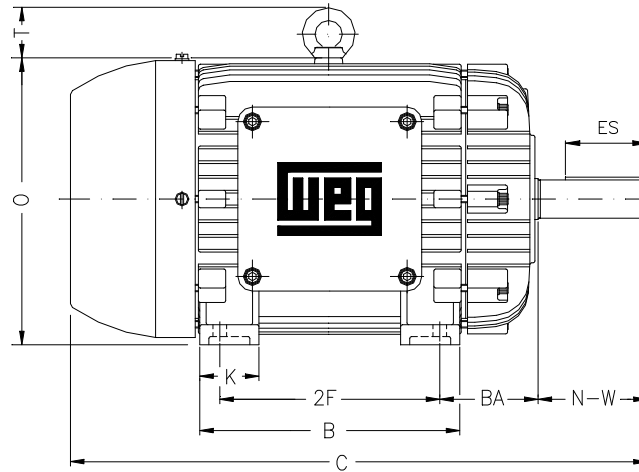
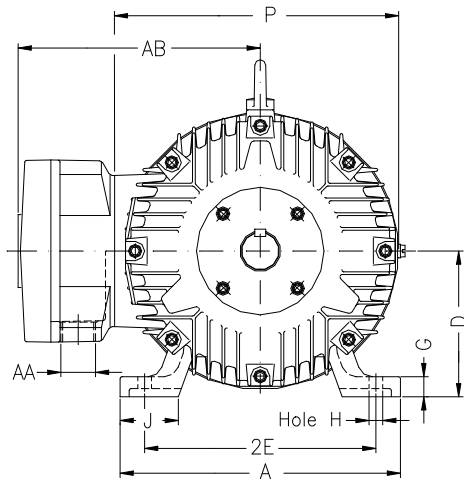
B

C

D

E

F



Notes: Downloaded from <http://dealerselectric.com>  
Generated for Model #04012XT3H364T

Performed by:

Checked:

Customer:

Three-Phase : Explosion Proof - NEMA Premium

Three-phase induction motor  
Frame 364/5T - IP55

23-SEP-2016



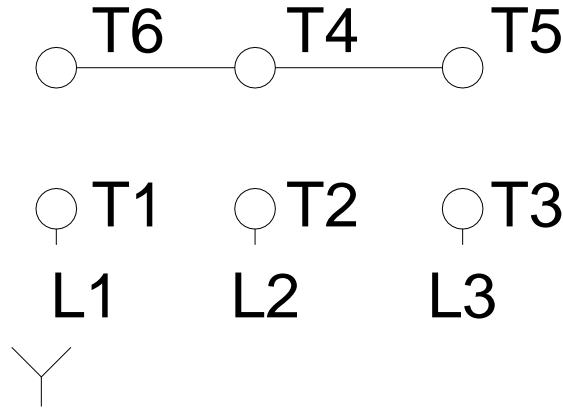
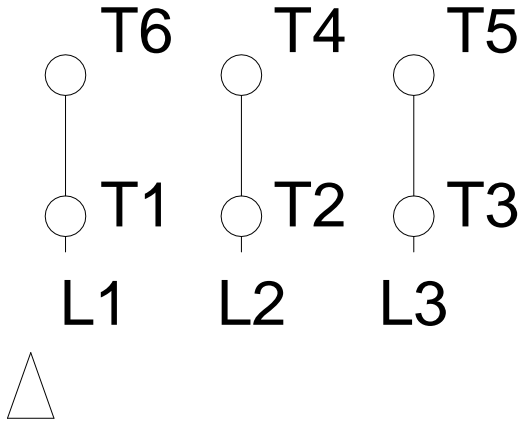
2E 14.000	A 17.165	2F 11.250/12.250	B 15.394	BA 5.875
J 3.150	K 4.134	P 18.583	ES 4.330	depth 0.625
S 0.625	N-W 5.874	U 2.375	R 2.019	AB 16.654
D 9.000	G 1.480	O 18.898	T 2.795	H 0.657
C 33.701	AA NPT 3"	d1 DUNC 3/4"-10	d2 DUNC 3/4"-10	

1 2 3 4 5 6 7 8

A  
B  
C  
D  
E  
F

### RUN

### ONLY FOR START



Notes: Downloaded from <a href="http://dealerselectric.com">http://dealerselectric.com</a> Generated for Model #04012XT3H364T		
Performed by:		
Checked:		
Customer:		
Three-Phase : Explosion Proof - NEMA Premium		
Three-phase induction motor Frame 364/5T - IP55	23-SEP-2016	