



# Dealers Industrial Equipment

No.:

Date: 23-SEP-2016

Customer :

## TECHNICAL PROPOSAL

### Three-phase induction motor - Squirrel cage rotor

Product line : ODP General Purpose

Catalog Number : 04012OT3E364T-G

List Price : \$6,384

#### Notes:

Downloaded from <http://dealerselectric.com>

Generated for Model #04012OT3E364T-G

Performed by:

Checked:



# Dealers Industrial Equipment

No.:

Date: 23-SEP-2016

## DATA SHEET Three-phase induction motor - Squirrel cage rotor

Customer :  
Product line : ODP General Purpose

Frame : 364/5T  
Output : 40 HP  
Frequency : 60 Hz  
Poles : 6  
Full load speed : 1185 rpm  
Slip : 1.25 %  
Voltage : 208-230/460 V  
Rated current : 104-94.2/47.1 A  
Locked rotor current : 631/316 A  
Locked rotor current (I<sub>L</sub>/I<sub>n</sub>) : 6.7  
No-load current : 38.0/19.0 A  
Full load torque : 175 lb.ft  
Locked rotor torque : 210 %  
Breakdown torque : 260 %  
Design : B  
Insulation class : F  
Temperature rise : 80 K  
Locked rotor time : 24 s (hot)  
Service factor : 1.15  
Duty cycle : S1  
Ambient temperature : -20°C - +40°C  
Altitude : 1000 m  
Degree of Protection : IP23  
Approximate weight : 739 lb  
Moment of inertia : 23.455 sq.ft.lb  
Noise level : 67 dB(A)

	D.E.	N.D.E.
Bearings	6314 C3	6314 C3
Regreasing interval	20000 h	20000 h
Grease amount	27 g	27 g

Load	Power factor	Efficiency (%)
100%	0.85	94.1
75%	0.80	94.1
50%	0.71	93.6

Notes:  
Downloaded from <http://dealerselectric.com>  
Generated for Model #04012OT3E364T-G

Performed by

Checked



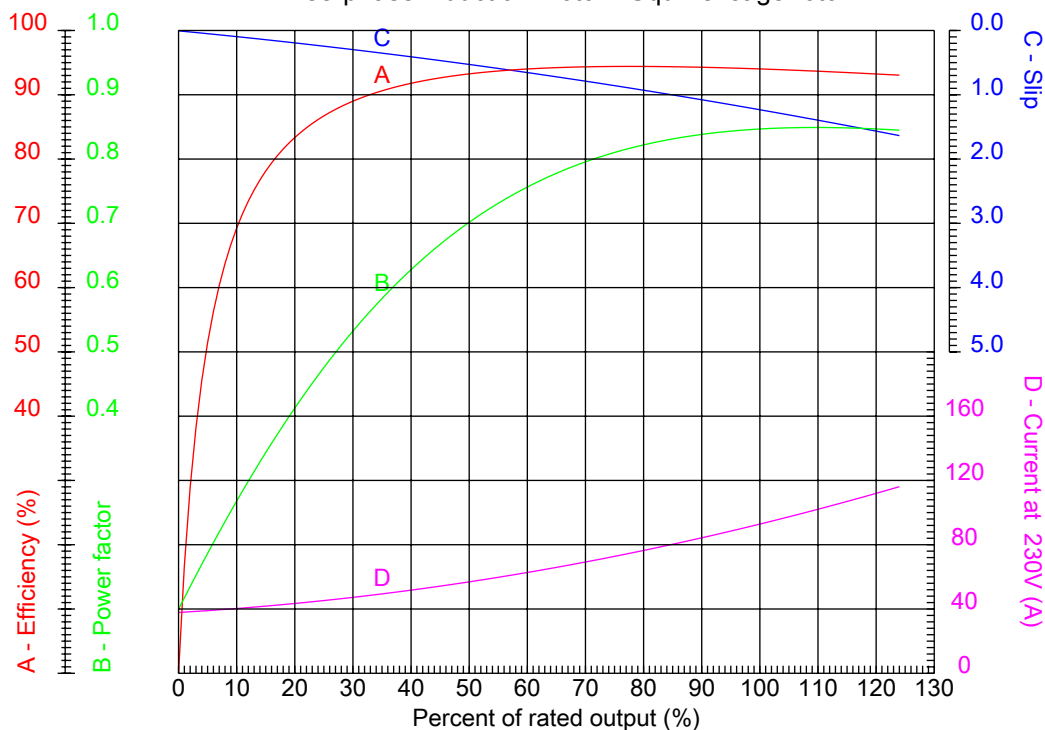
# Dealers Industrial Equipment

No.:

Date: 23-SEP-2016

## PERFORMANCE CURVES RELATED TO RATED OUTPUT

Three-phase induction motor - Squirrel cage rotor



Customer :  
Product line : ODP General Purpose

Frame : 364/5T	Locked rotor current (I <sub>l</sub> /I <sub>n</sub> ) : 6.7
Output : 40 HP	Duty cycle : S1
Frequency : 60 Hz	Service factor : 1.15
Full load speed : 1185 rpm	Design : B
Voltage : 208-230/460 V	Locked rotor torque : 210 %
Rated current : 104-94.2/47.1 A	Breakdown torque : 260 %
Insulation class : F	

Notes:  
Downloaded from <http://dealerselectric.com>  
Generated for Model #04012OT3E364T-G

Performed by

Checked



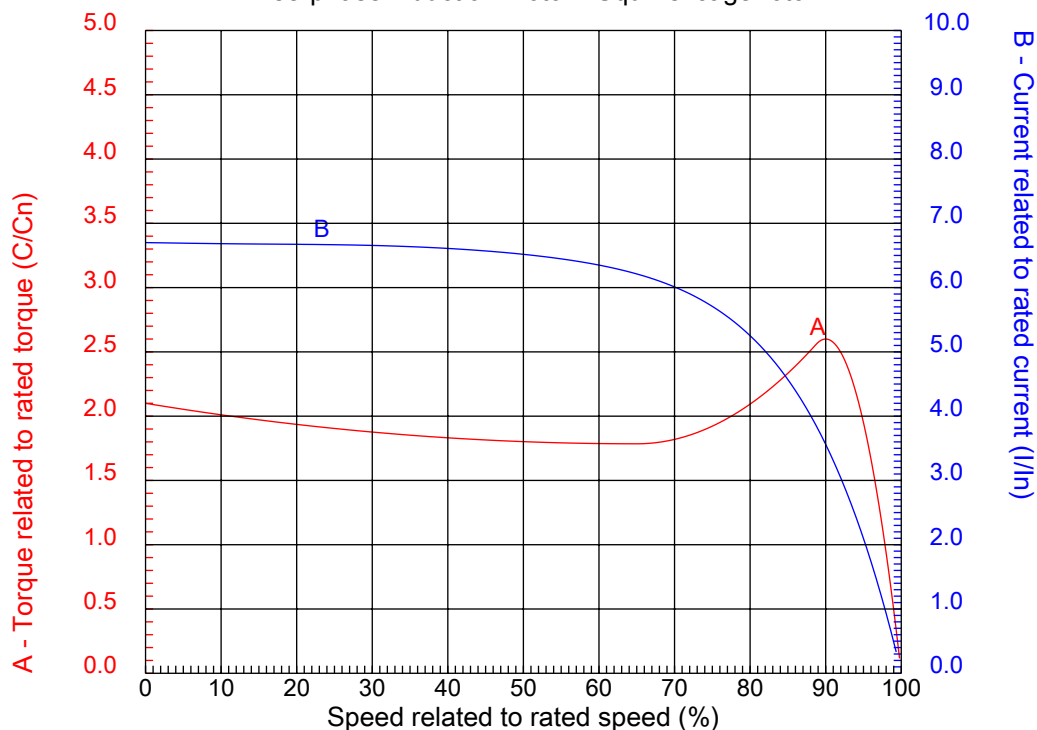
# Dealers Industrial Equipment

No.:

Date: 23-SEP-2016

## CHARACTERISTIC CURVES RELATED TO SPEED

Three-phase induction motor - Squirrel cage rotor



Customer :  
Product line : ODP General Purpose

Frame	: 364/5T	Locked rotor current (I <sub>l</sub> /I <sub>n</sub> )	: 6.7
Output	: 40 HP	Duty cycle	: S1
Frequency	: 60 Hz	Service factor	: 1.15
Full load speed	: 1185 rpm	Design	: B
Voltage	: 208-230/460 V	Locked rotor torque	: 210 %
Rated current	: 104-94.2/47.1 A	Breakdown torque	: 260 %
Insulation class	: F		

Notes:  
Downloaded from <http://dealerselectric.com>  
Generated for Model #04012OT3E364T-G

Performed by

Checked

1 2 3 4 5 6 7 8

A

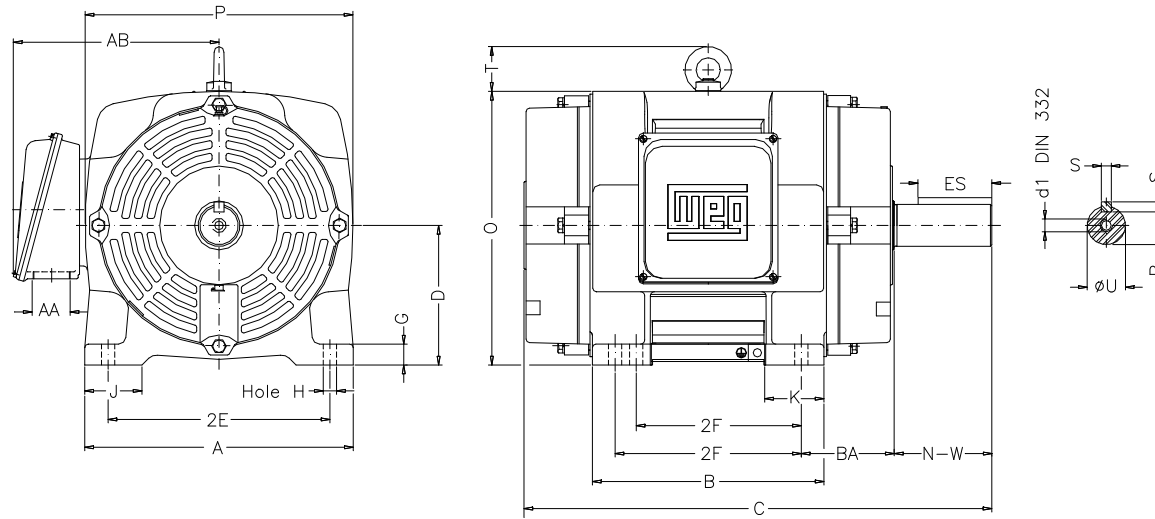
B

C

D

E

F



Notes: Downloaded from <http://dealerselectric.com>  
Generated for Model #040120T3E364T-G

Performed by:

Checked:

Customer:

ODP General Purpose

Three-phase induction motor  
Frame 364/5T - IP23

23-SEP-2016



2E 14.000	A 17.170	2F 11.250/12.250	B 15.400	BA 5.875
J 3.150	K 4.140	P 17.874	ES 4.330	depth 0.625
S 0.625	D 9.000	N-W 5.874	G 1.480	U 2.375
O 18.425	T 2.795	R 2.019	H 0.657	AB 16.378
C 29.764	AA NPT 3"	d1 DUNC 3/4"-10		

1 2 3 4 5 6 7 8

A  
B  
C  
D  
E  
F

LOW VOLTAGE

HIGH VOLTAGE



CONNECTIONS FOR STARTING ONLY:

LOW VOLTAGE

HIGH VOLTAGE



Notes: Downloaded from <http://dealerselectric.com>  
Generated for Model #04012OT3E364T-G

Performed by:

Checked:

Customer:

ODP General Purpose

Three-phase induction motor  
Frame 364/5T - IP23

23-SEP-2016

