



Dealers Industrial Equipment

No.:

Date: 23-SEP-2016

Customer :

TECHNICAL PROPOSAL

Three-phase induction motor - Squirrel cage rotor

Product line : W22 NEMA Premium - Ball Bearings

Catalog Number : 04012ET3E364T-W22

List Price : \$7,284

Notes:

Downloaded from <http://dealerselectric.com>

Generated for Model #04012ET3E364T-W22

Performed by:

Checked:



Dealers Industrial Equipment

No.:

Date: 23-SEP-2016

DATA SHEET Three-phase induction motor - Squirrel cage rotor

Customer :
 Product line : W22 NEMA Premium - Ball Bearings

Frame : 364/5T
 Output : 40 HP
 Frequency : 60 Hz
 Poles : 6
 Full load speed : 1185 rpm
 Slip : 1.25 %
 Voltage : 208-230/460 V
 Rated current : 103-93.0/46.5 A
 Locked rotor current : 595/298 A
 Locked rotor current (I_L/I_n) : 6.4
 No-load current : 34.0/17.0 A
 Full load torque : 175 lb.ft
 Locked rotor torque : 200 %
 Breakdown torque : 240 %
 Design : B
 Insulation class : F
 Temperature rise : 80 K
 Locked rotor time : 21 s (hot)
 Service factor : 1.25
 Duty cycle : S1
 Ambient temperature : -20°C - +40°C
 Altitude : 1000 m
 Degree of Protection : IP55
 Approximate weight : 833 lb
 Moment of inertia : 29.040 sq.ft.lb
 Noise level : 66 dB(A)

| | D.E. | N.D.E. |
|---------------------|---------|---------|
| Bearings | 6314 C3 | 6314 C3 |
| Regreasing interval | 17000 h | 17000 h |
| Grease amount | 27 g | 27 g |

| Load | Power factor | Efficiency (%) |
|------|--------------|----------------|
| 100% | 0.86 | 94.1 |
| 75% | 0.82 | 93.6 |
| 50% | 0.73 | 93.6 |

Notes:
 Downloaded from <http://dealerselectric.com>
 Generated for Model #04012ET3E364T-W22

Performed by

Checked



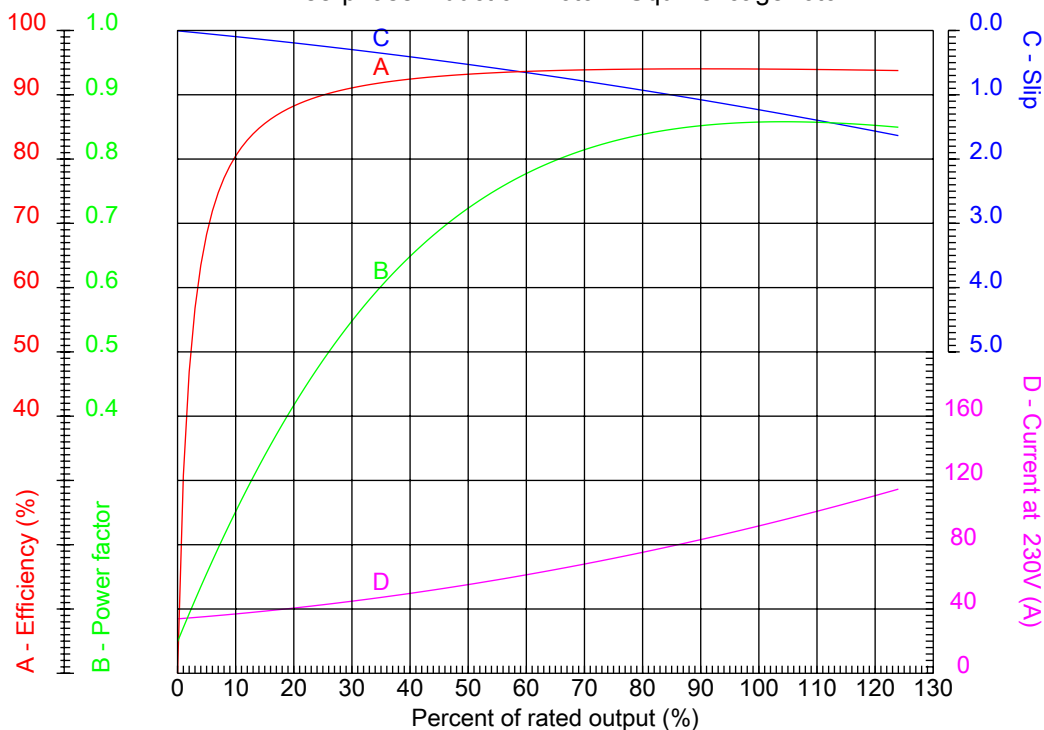
Dealers Industrial Equipment

No.:

Date: 23-SEP-2016

PERFORMANCE CURVES RELATED TO RATED OUTPUT

Three-phase induction motor - Squirrel cage rotor



Customer :
 Product line : W22 NEMA Premium - Ball Bearings

| | | | |
|------------------|-------------------|--|---------|
| Frame | : 364/5T | Locked rotor current (I _l /I _n) | : 6.4 |
| Output | : 40 HP | Duty cycle | : S1 |
| Frequency | : 60 Hz | Service factor | : 1.25 |
| Full load speed | : 1185 rpm | Design | : B |
| Voltage | : 208-230/460 V | Locked rotor torque | : 200 % |
| Rated current | : 103-93.0/46.5 A | Breakdown torque | : 240 % |
| Insulation class | : F | | |

Notes:
 Downloaded from <http://dealerselectric.com>
 Generated for Model #04012ET3E364T-W22

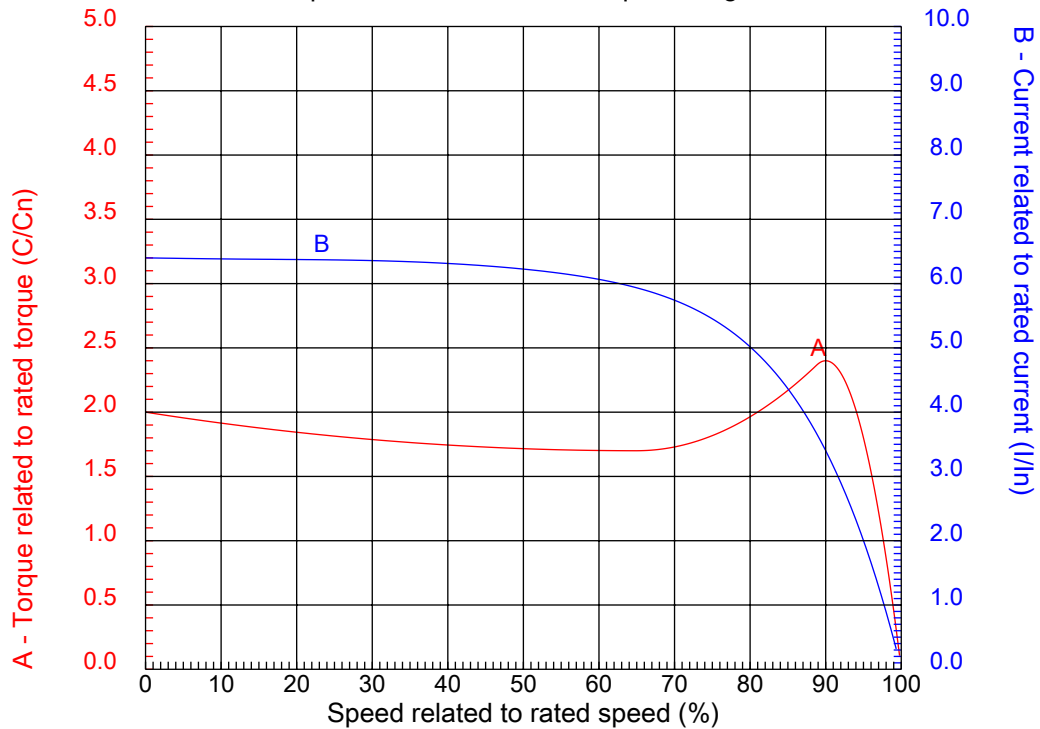
Performed by

Checked



CHARACTERISTIC CURVES RELATED TO SPEED

Three-phase induction motor - Squirrel cage rotor



Customer :
Product line : W22 NEMA Premium - Ball Bearings

| | | | |
|------------------|-------------------|--|---------|
| Frame | : 364/5T | Locked rotor current (I _l /I _n) | : 6.4 |
| Output | : 40 HP | Duty cycle | : S1 |
| Frequency | : 60 Hz | Service factor | : 1.25 |
| Full load speed | : 1185 rpm | Design | : B |
| Voltage | : 208-230/460 V | Locked rotor torque | : 200 % |
| Rated current | : 103-93.0/46.5 A | Breakdown torque | : 240 % |
| Insulation class | : F | | |

Notes:
Downloaded from <http://dealerselectric.com>
Generated for Model #04012ET3E364T-W22

Performed by

Checked

1 2 3 4 5 6 7 8

A

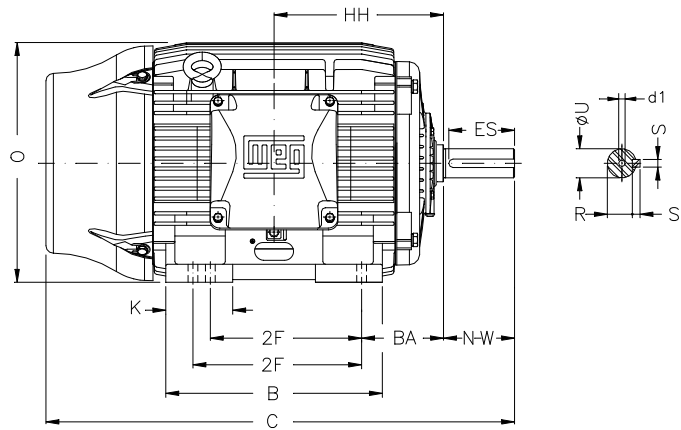
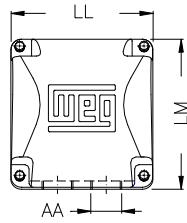
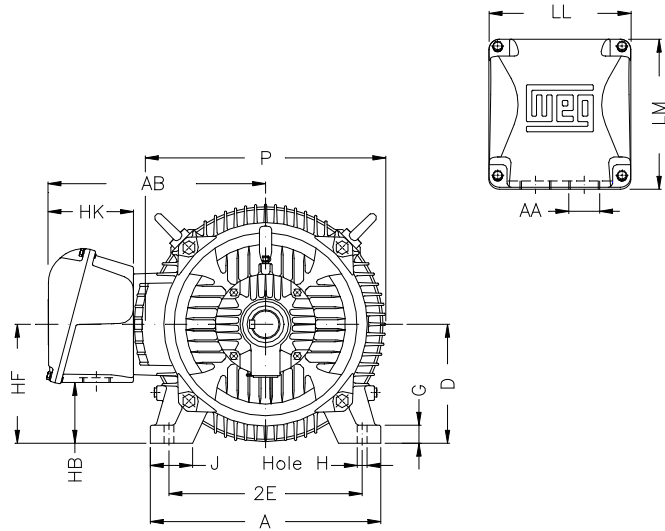
B

C

D

E

F



Notes: Downloaded from <http://dealerselectric.com>
Generated for Model #04012ET3E364T-W22

Performed by:

Checked:

Customer:

W22 NEMA Premium - Ball Bearings

Three-phase induction motor
Frame 364/5T - IP55

23-SEP-2016



| | | | | |
|---------------------|--------------|--------------|--------------|--------------------|
| 2E 14.016 | J 3.150 | A 17.165 | P 17.914 | AB 16.016 |
| 2F 11.260/12.244 | K 4.138 | B 16.220 | BA 5.875 | FBA 11.708 |
| U 2.375 | N-W 5.874 | ES 4.330 | S 0.625 | R 2.019 |
| depth 0.625 | D 9.000 | G 1.480 | HB 4.251 | O 17.957 |
| HH 11.988 | HK 6.024 | EV 1.634 | H 0.660 | C 34.251 |
| FC 39.339 | LL 10.591 | LM 11.267 | AA NPT 3" | d1 DUNC 3/4"-10 |

1 2 3 4 5 6 7 8

A
B
C
D
E
F

LOW VOLTAGE

HIGH VOLTAGE



CONNECTIONS FOR STARTING ONLY:

LOW VOLTAGE

HIGH VOLTAGE



Notes: Downloaded from <http://dealerselectric.com>
Generated for Model #04012ET3E364T-W22

Performed by:

Checked:

Customer:

W22 NEMA Premium - Ball Bearings

Three-phase induction motor
Frame 364/5T - IP55

23-SEP-2016

