



Dealers Industrial Equipment

No.:

Date: 23-SEP-2016

Customer :

TECHNICAL PROPOSAL

Three-phase induction motor - Squirrel cage rotor

Product line : Three-Phase: W22 IE3 IEC Tru-Metric - TEFC (IP55) Cast Iron Frame

Catalog Number : 03736ET3Y200L-W22

List Price : \$5,487

Notes:

Downloaded from <http://dealerselectric.com>

Generated for Model #03736ET3Y200L-W22

Performed by:

Checked:



# Dealers Industrial Equipment

No.:

Date: 23-SEP-2016

## DATA SHEET Three-phase induction motor - Squirrel cage rotor

Customer :  
 Product line : Three-Phase: W22 IE3 IEC Tru-Metric - TEFC (IP55) Cast Iron Frame

Frame : 200L  
 Output : 50 HP  
 Frequency : 60 Hz  
 Poles : 2  
 Full load speed : 3575 rpm  
 Slip : 0.69 %  
 Voltage : 460 V  
 Rated current : 61.3 A  
 Locked rotor current : 509 A  
 Locked rotor current (I<sub>L</sub>/I<sub>n</sub>) : 8.3  
 No-load current : 28.0 A  
 Full load torque : 72.5 lb.ft  
 Locked rotor torque : 330 %  
 Breakdown torque : 330 %  
 Design : ---  
 Insulation class : F  
 Temperature rise : 80 K  
 Locked rotor time : 22 s (hot)  
 Service factor : 1.25  
 Duty cycle : S1  
 Ambient temperature : -20°C - +40°C  
 Altitude : 1000 m  
 Degree of Protection : IP55  
 Approximate weight : 584 lb  
 Moment of inertia : 5.0284 sq.ft.lb  
 Noise level : 76 dB(A)

	D.E.	N.D.E.
Bearings	6312 C3	6212 C3
Regreasing interval	12000 h	15000 h
Grease amount	21 g	13 g

Load	Power factor	Efficiency (%)
100%	0.81	93.6
75%	0.75	93.0
50%	0.63	91.7

Notes:  
 Downloaded from <http://dealerselectric.com>  
 Generated for Model #03736ET3Y200L-W22

Performed by

Checked



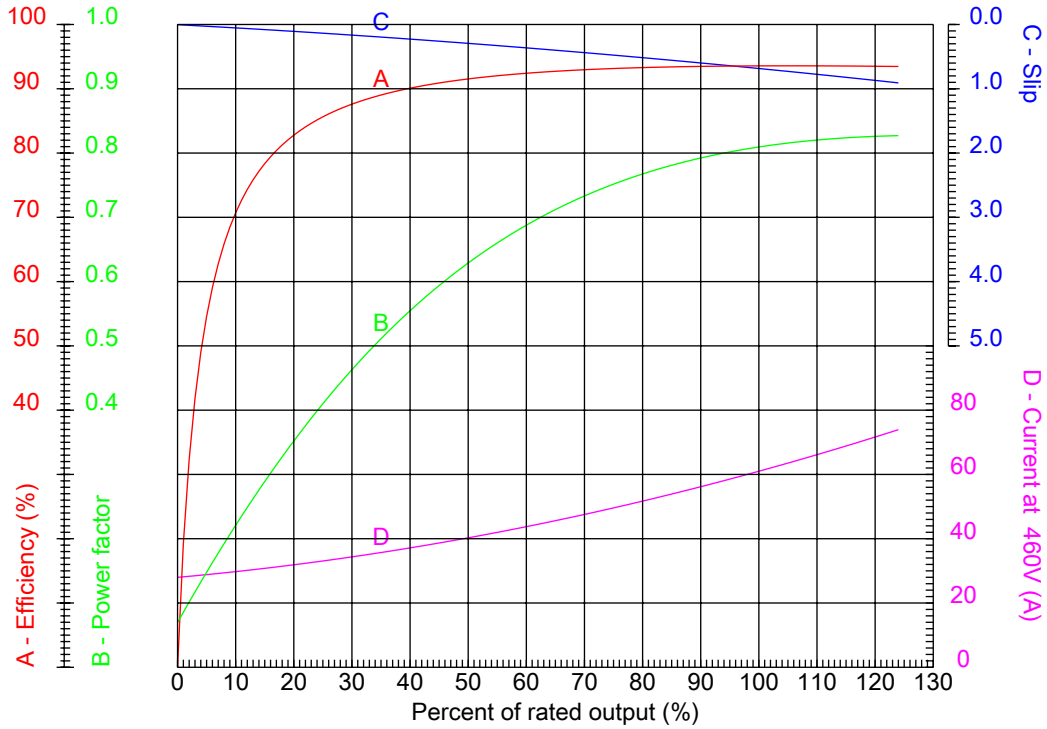
# Dealers Industrial Equipment

No.:

Date: 23-SEP-2016

## PERFORMANCE CURVES RELATED TO RATED OUTPUT

Three-phase induction motor - Squirrel cage rotor



Customer :  
 Product line : Three-Phase: W22 IE3 IEC Tru-Metric - TEFC (IP55) Cast Iron Frame

Frame	: 200L	Locked rotor current (I <sub>l</sub> /I <sub>n</sub> )	: 8.3
Output	: 50 HP	Duty cycle	: S1
Frequency	: 60 Hz	Service factor	: 1.25
Full load speed	: 3575 rpm	Design	: ---
Voltage	: 460 V	Locked rotor torque	: 330 %
Rated current	: 61.3 A	Breakdown torque	: 330 %
Insulation class	: F		

Notes:  
 Downloaded from <http://dealerselectric.com>  
 Generated for Model #03736ET3Y200L-W22

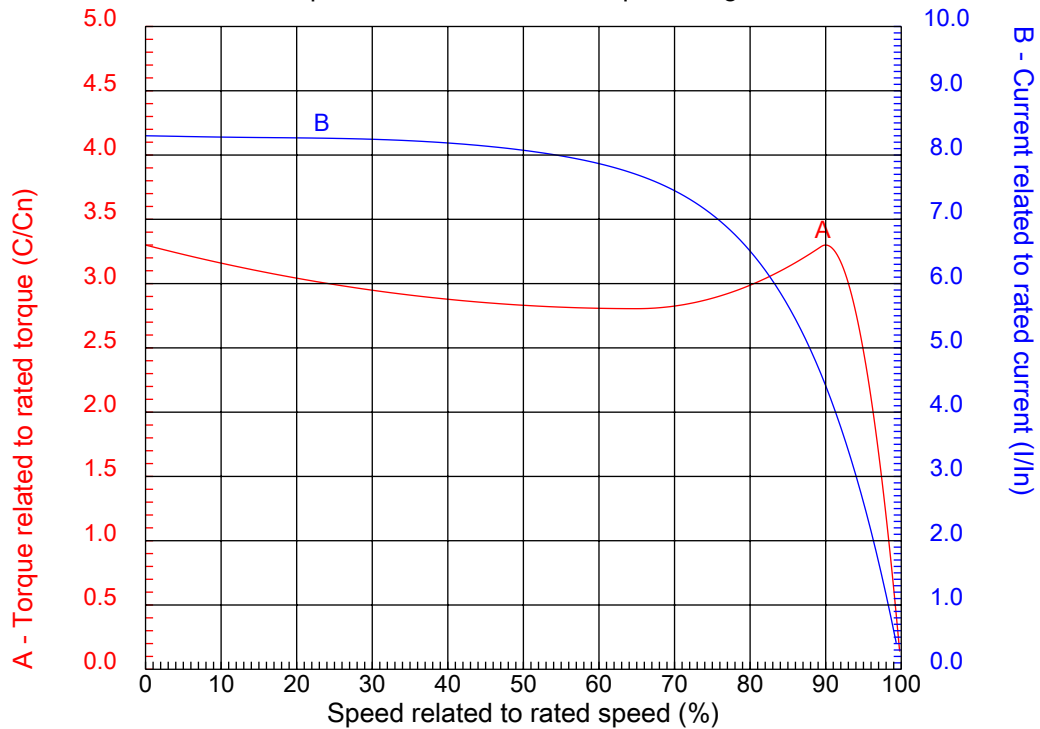
Performed by

Checked



## CHARACTERISTIC CURVES RELATED TO SPEED

Three-phase induction motor - Squirrel cage rotor



Customer :  
Product line : Three-Phase: W22 IE3 IEC Tru-Metric - TEFC (IP55) Cast Iron Frame

Frame	: 200L	Locked rotor current (I <sub>l</sub> /I <sub>n</sub> )	: 8.3
Output	: 50 HP	Duty cycle	: S1
Frequency	: 60 Hz	Service factor	: 1.25
Full load speed	: 3575 rpm	Design	: ---
Voltage	: 460 V	Locked rotor torque	: 330 %
Rated current	: 61.3 A	Breakdown torque	: 330 %
Insulation class	: F		

Notes:  
Downloaded from <http://dealerselectric.com>  
Generated for Model #03736ET3Y200L-W22

Performed by

Checked

1 2 3 4 5 6 7 8

A

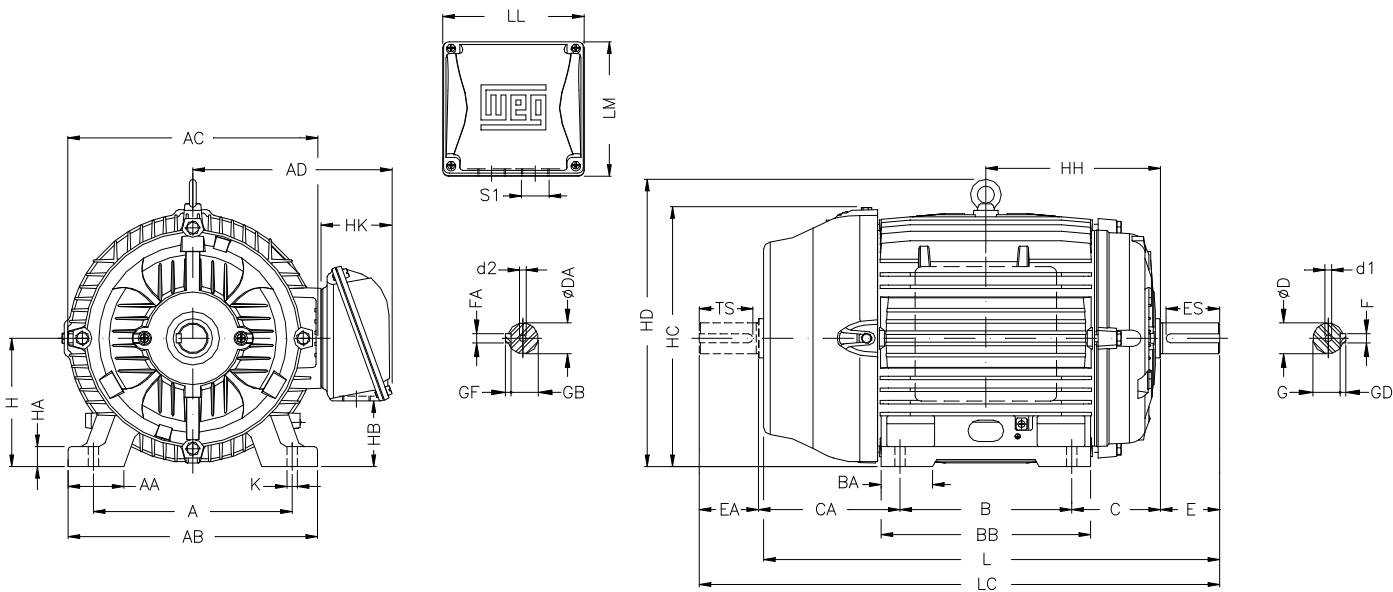
B

C

D

E

F



Notes: Downloaded from <http://dealerselectric.com>  
Generated for Model #03736ET3Y200L-W22

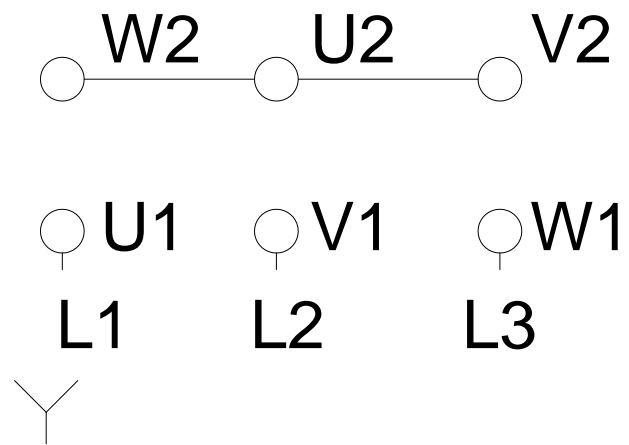
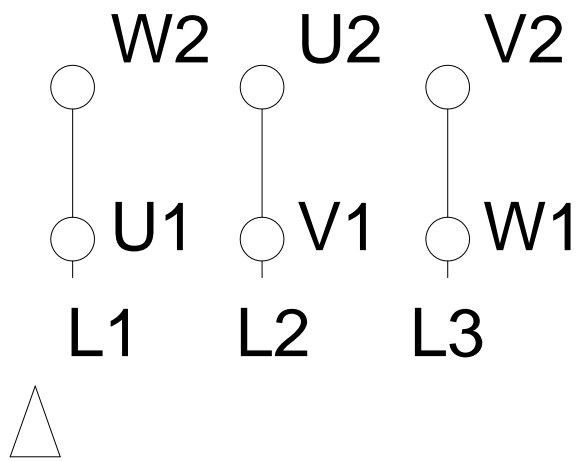
A	AA	AB	AC	AD
318	82	385	402	319
B	BA	BB	C	CA
305	82	370	133	222
D	E	ES	F	G
55m6	110	80	16	49
GD	DA	EA	TS	FA
10	48k6	110	80	14
GB	GF	H	HA	HC
42.5	9	200	30	407
HD	K	L	LC	S1
464	18.5	767	880	2xM50x1,5
d1	d2			
DM20	DM20			

Performed by:	
Checked:	
Customer:	
Three-Phase: W22 IE3 IEC Tru-Metric - TEFC (IP55) Cast Iron Frame	
Three-phase induction motor Frame 200L - IP55	23-SEP-2016



# LOW VOLTAGE

# HIGH VOLTAGE



Notes: Downloaded from <a href="http://dealerselectric.com">http://dealerselectric.com</a> Generated for Model #03736ET3Y200L-W22		
Performed by:		
Checked:		
Customer:		
Three-Phase: W22 IE3 IEC Tru-Metric - TEFC (IP55) Cast Iron Frame		
Three-phase induction motor Frame 200L - IP55	23-SEP-2016	