



Dealers Industrial Equipment

No.:

Date: 23-SEP-2016

Customer :

TECHNICAL PROPOSAL

Three-phase induction motor - Squirrel cage rotor

Product line : Three-Phase: W22 IE3 IEC Tru-Metric - TEFC (IP55) Cast Iron Frame

Catalog Number : 03718ET3Y225S/M-W22

List Price : \$6,984

Notes:

Downloaded from <http://dealerselectric.com>

Generated for Model #03718ET3Y225S/M-W22

Performed by:

Checked:



Dealers Industrial Equipment

No.:

Date: 23-SEP-2016

DATA SHEET

Three-phase induction motor - Squirrel cage rotor

Customer :
 Product line : Three-Phase: W22 IE3 IEC Tru-Metric - TEFC (IP55) Cast Iron Frame

Frame : 225S/M
 Output : 50 HP
 Frequency : 60 Hz
 Poles : 4
 Full load speed : 1780 rpm
 Slip : 1.11 %
 Voltage : 460 V
 Rated current : 58.5 A
 Locked rotor current : 503 A
 Locked rotor current (I_L/I_n) : 8.6
 No-load current : 25.3 A
 Full load torque : 146 lb.ft
 Locked rotor torque : 310 %
 Breakdown torque : 370 %
 Design : ---
 Insulation class : F
 Temperature rise : 80 K
 Locked rotor time : 25 s (hot)
 Service factor : 1.25
 Duty cycle : S1
 Ambient temperature : -20°C - +40°C
 Altitude : 1000 m
 Degree of Protection : IP55
 Approximate weight : 864 lb
 Moment of inertia : 20.934 sq.ft.lb
 Noise level : 67 dB(A)

	D.E.	N.D.E.	Load	Power factor	Efficiency (%)
Bearings	6314 C3	6314 C3	100%	0.84	94.5
Regreasing interval	12000 h	12000 h	75%	0.79	94.1
Grease amount	27 g	27 g	50%	0.68	93.0

Notes:
 Downloaded from <http://dealerselectric.com>
 Generated for Model #03718ET3Y225S/M-W22

Performed by

Checked



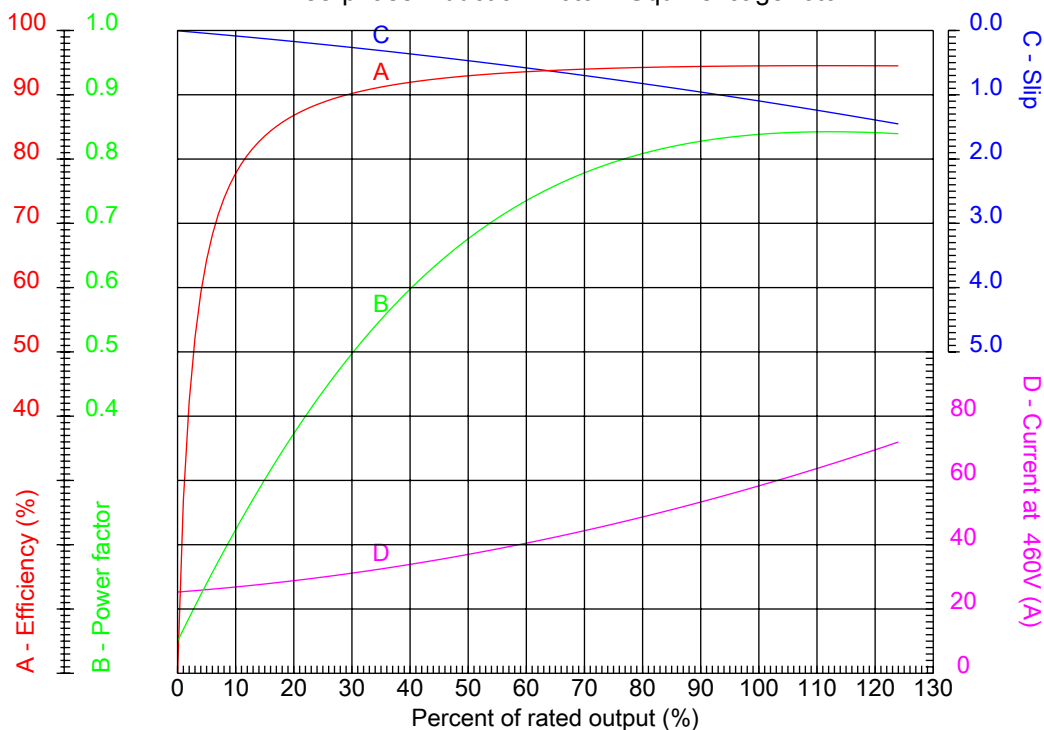
Dealers Industrial Equipment

No.:

Date: 23-SEP-2016

PERFORMANCE CURVES RELATED TO RATED OUTPUT

Three-phase induction motor - Squirrel cage rotor



Customer :
 Product line : Three-Phase: W22 IE3 IEC Tru-Metric - TEFC (IP55) Cast Iron Frame

Frame	: 225S/M	Locked rotor current (I _l /I _n)	: 8.6
Output	: 50 HP	Duty cycle	: S1
Frequency	: 60 Hz	Service factor	: 1.25
Full load speed	: 1780 rpm	Design	: ---
Voltage	: 460 V	Locked rotor torque	: 310 %
Rated current	: 58.5 A	Breakdown torque	: 370 %
Insulation class	: F		

Notes:
 Downloaded from <http://dealerselectric.com>
 Generated for Model #03718ET3Y225S/M-W22

Performed by

Checked



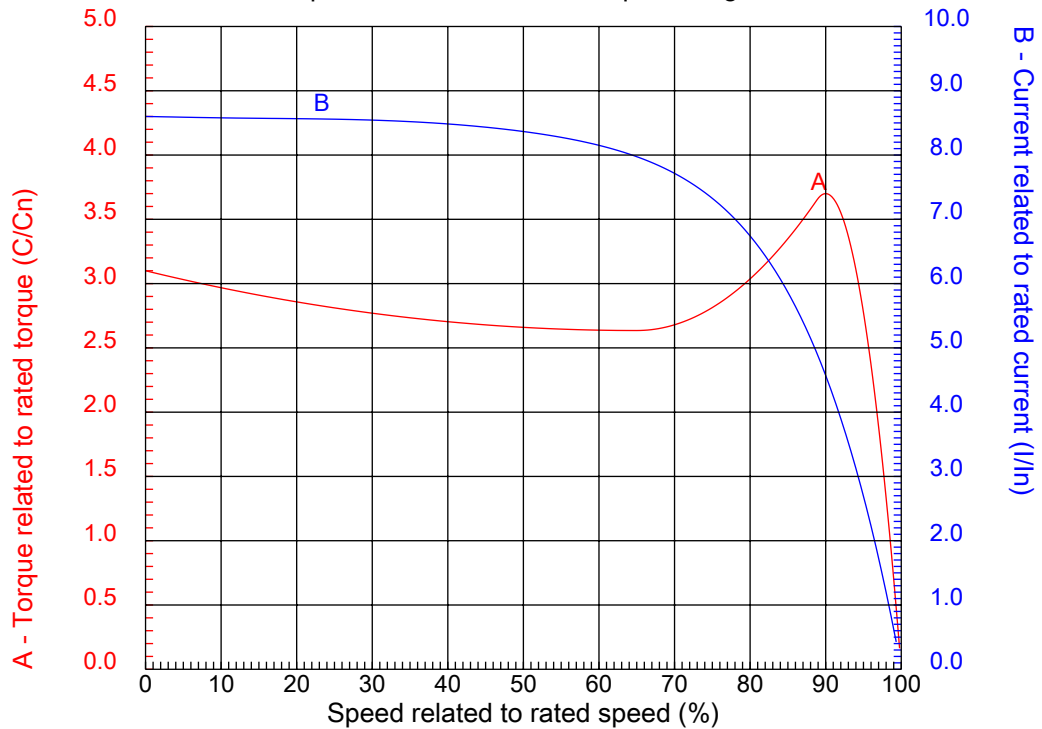
Dealers Industrial Equipment

No.:

Date: 23-SEP-2016

CHARACTERISTIC CURVES RELATED TO SPEED

Three-phase induction motor - Squirrel cage rotor



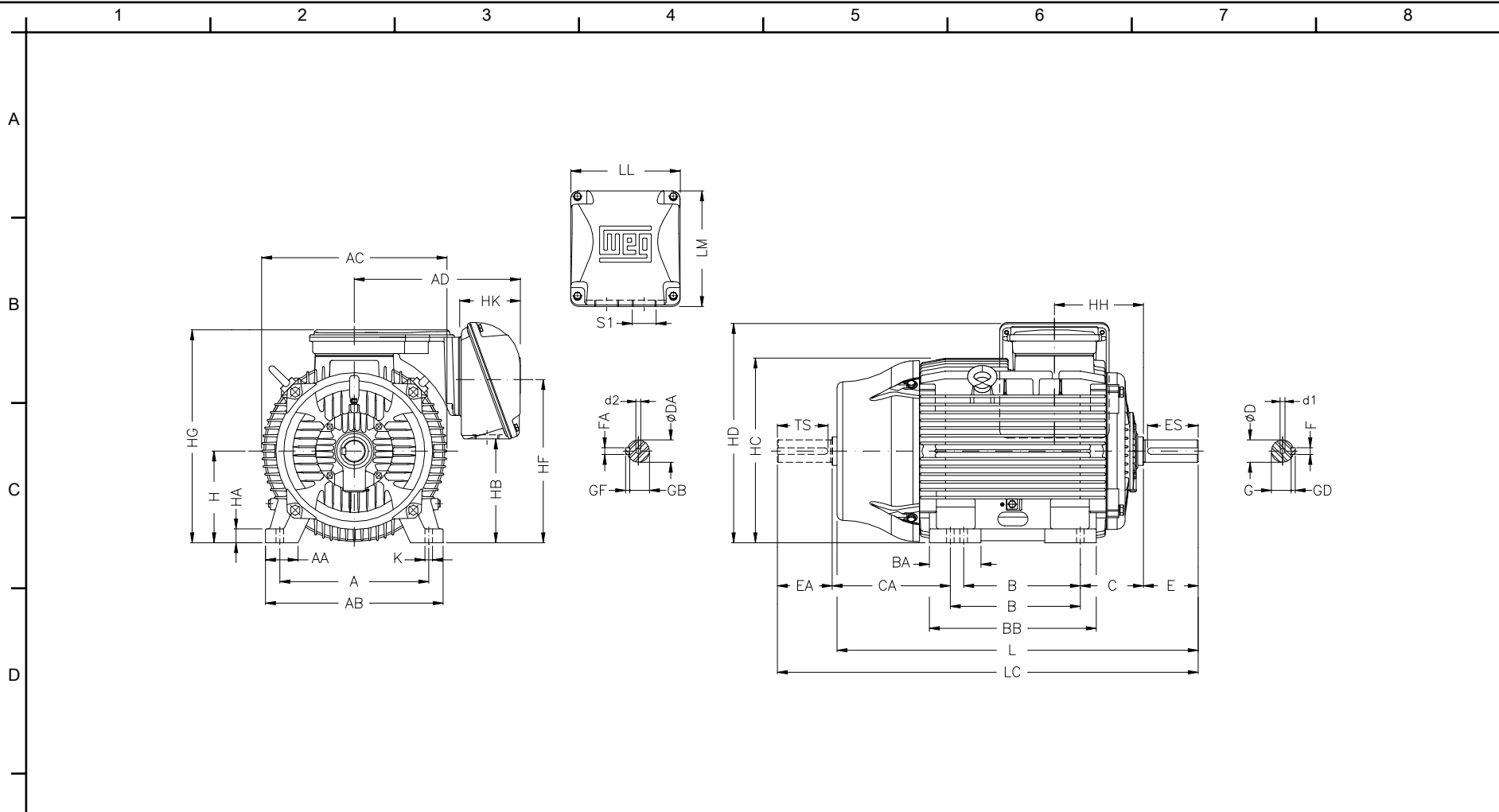
Customer :
Product line : Three-Phase: W22 IE3 IEC Tru-Metric - TEFC (IP55) Cast Iron Frame

Frame	: 225S/M	Locked rotor current (I _l /I _n)	: 8.6
Output	: 50 HP	Duty cycle	: S1
Frequency	: 60 Hz	Service factor	: 1.25
Full load speed	: 1780 rpm	Design	: ---
Voltage	: 460 V	Locked rotor torque	: 310 %
Rated current	: 58.5 A	Breakdown torque	: 370 %
Insulation class	: F		

Notes:
Downloaded from <http://dealerselectric.com>
Generated for Model #03718ET3Y225S/M-W22

Performed by

Checked



Notes: Downloaded from <http://dealerselectric.com>
 Generated for Model #03718ET3Y225S/M-W22

A	AA	AB	AC	AD
356	80	436	455	410
B	BA	BB	C	CA
286/311	124	412	149	319/294
D	E	ES	F	G
60m6	140	125	18	53
GD	DA	EA	TS	FA
11	60m6	140	125	18
GB	GF	H	HA	HC
53	11	225	34	453
HD	K	L	LC	S1
541	18,5	886	1034	2xM50x1,5
d1	d2			
DM20	DM20			

Performed by:


Checked:

Customer:

Three-Phase: W22 IE3 IEC Tru-Metric - TEFC (IP55) Cast Iron Frame

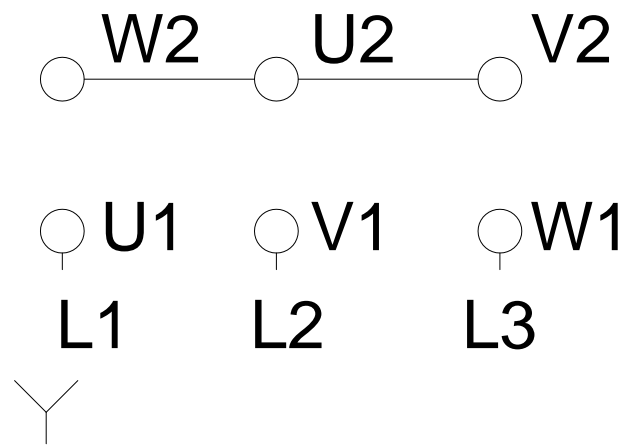
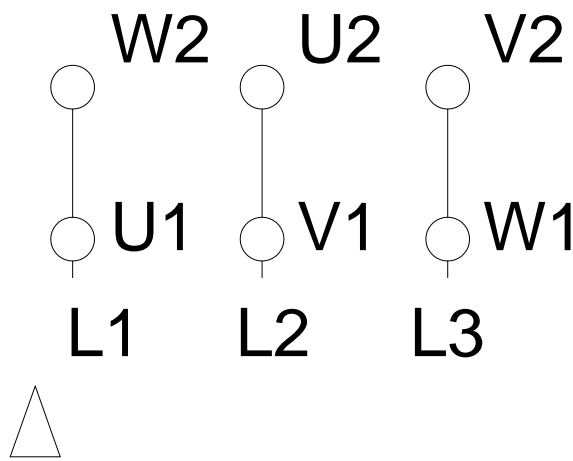
Three-phase induction motor
 Frame 225S/M - IP55

23-SEP-2016



LOW VOLTAGE

HIGH VOLTAGE



Notes: Downloaded from <http://dealerselectric.com>
Generated for Model #03718ET3Y225S/M-W22

Performed by:

Checked:

Customer:

Three-Phase: W22 IE3 IEC Tru-Metric - TEFC (IP55) Cast Iron Frame

Three-phase induction motor
Frame 225S/M - IP55

23-SEP-2016

