



# Dealers Industrial Equipment

No.:

Date: 23-SEP-2016

Customer :

## TECHNICAL PROPOSAL

### Three-phase induction motor - Squirrel cage rotor

Product line : Close Coupled Pump : Three-Phase - "JM" Type - ODP - NEMA Premium

Catalog Number : 03036OT3H284JM

List Price : \$3,185

#### Notes:

Downloaded from <http://dealerselectric.com>

Generated for Model #03036OT3H284JM

Performed by:

Checked:



# Dealers Industrial Equipment

No.:

Date: 23-SEP-2016

## DATA SHEET Three-phase induction motor - Squirrel cage rotor

Customer :  
 Product line : Close Coupled Pump : Three-Phase - "JM" Type - ODP - NEMA Premium

Frame : 284JM  
 Output : 30 HP  
 Frequency : 60 Hz  
 Poles : 2  
 Full load speed : 3540 rpm  
 Slip : 1.67 %  
 Voltage : 575 V  
 Rated current : 27.8 A  
 Locked rotor current : 178 A  
 Locked rotor current (I<sub>L</sub>/I<sub>n</sub>) : 6.4  
 No-load current : 8.80 A  
 Full load torque : 43.9 lb.ft  
 Locked rotor torque : 220 %  
 Breakdown torque : 280 %  
 Design : B  
 Insulation class : F  
 Temperature rise : 80 K  
 Locked rotor time : 10 s (hot)  
 Service factor : 1.15  
 Duty cycle : S1  
 Ambient temperature : -20°C - +40°C  
 Altitude : 1000 m  
 Degree of Protection : IP23  
 Approximate weight : 333 lb  
 Moment of inertia : 1.8856 sq.ft.lb  
 Noise level : 72 dB(A)

	D.E.	N.D.E.
Bearings	6311 Z-C3	6211 Z-C3
Regreasing interval	20000 h	20000 h
Grease amount	18 g	11 g

Load	Power factor	Efficiency (%)
100%	0.86	92.4
75%	0.84	93.0
50%	0.77	92.4

Notes:  
 Downloaded from <http://dealerselectric.com>  
 Generated for Model #03036OT3H284JM

Performed by

Checked



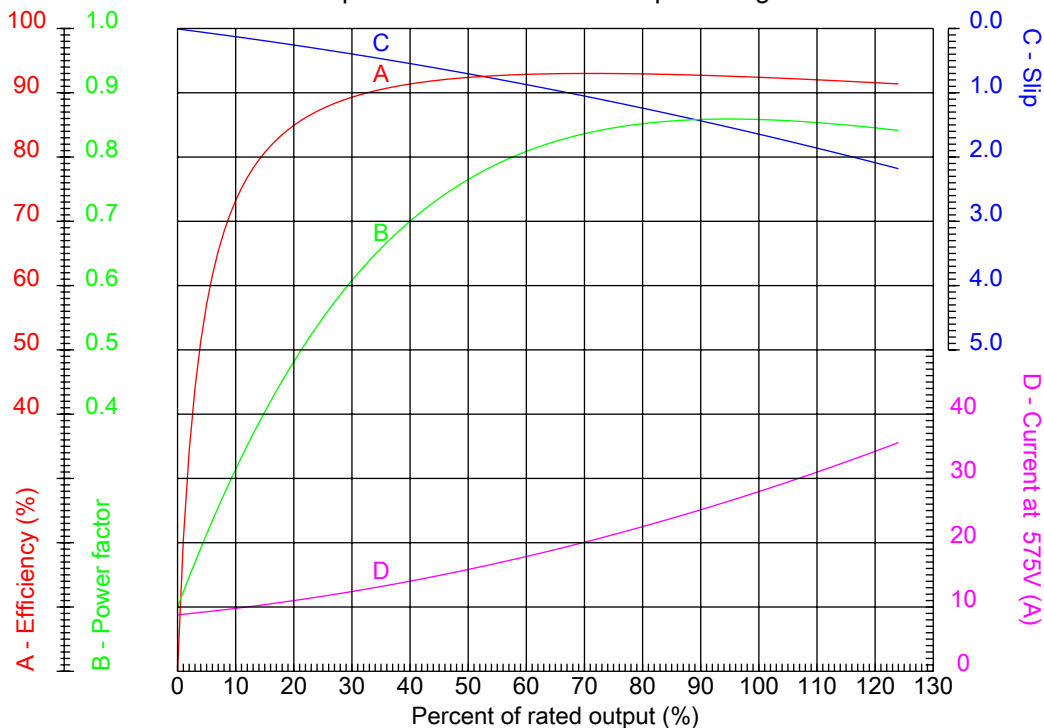
# Dealers Industrial Equipment

No.:

Date: 23-SEP-2016

## PERFORMANCE CURVES RELATED TO RATED OUTPUT

Three-phase induction motor - Squirrel cage rotor



Customer :  
 Product line : Close Coupled Pump : Three-Phase - "JM" Type - ODP - NEMA Premium

Frame	: 284JM	Locked rotor current (I <sub>L</sub> /I <sub>n</sub> )	: 6.4
Output	: 30 HP	Duty cycle	: S1
Frequency	: 60 Hz	Service factor	: 1.15
Full load speed	: 3540 rpm	Design	: B
Voltage	: 575 V	Locked rotor torque	: 220 %
Rated current	: 27.8 A	Breakdown torque	: 280 %
Insulation class	: F		

Notes:  
 Downloaded from <http://dealerselectric.com>  
 Generated for Model #03036OT3H284JM

Performed by

Checked



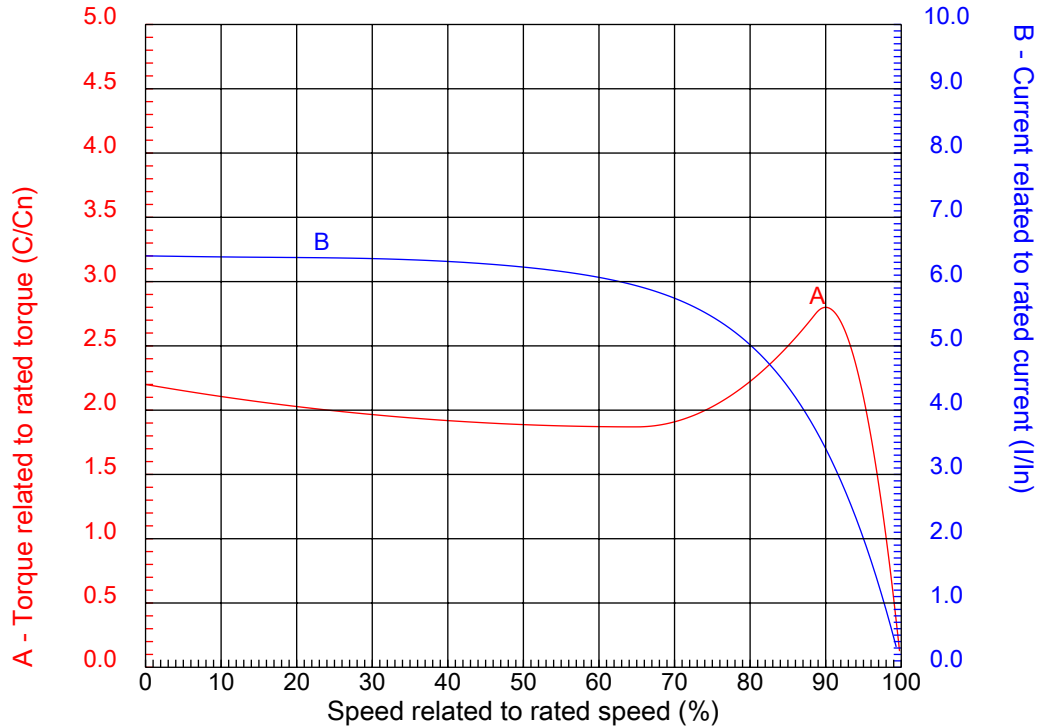
# Dealers Industrial Equipment

No.:

Date: 23-SEP-2016

## CHARACTERISTIC CURVES RELATED TO SPEED

Three-phase induction motor - Squirrel cage rotor



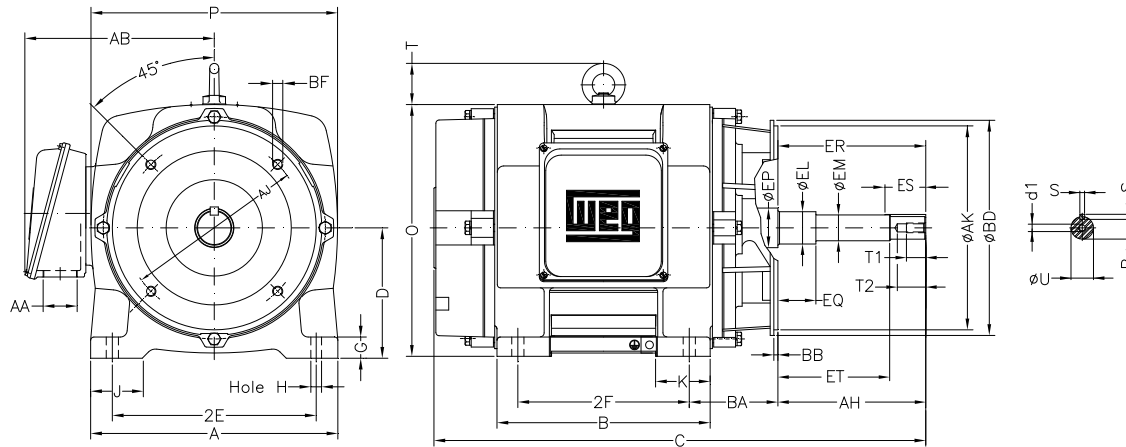
Customer :  
Product line : Close Coupled Pump : Three-Phase - "JM" Type - ODP - NEMA Premium

Frame	: 284JM	Locked rotor current (I <sub>l</sub> /I <sub>n</sub> )	: 6.4
Output	: 30 HP	Duty cycle	: S1
Frequency	: 60 Hz	Service factor	: 1.15
Full load speed	: 3540 rpm	Design	: B
Voltage	: 575 V	Locked rotor torque	: 220 %
Rated current	: 27.8 A	Breakdown torque	: 280 %
Insulation class	: F		

Notes:  
Downloaded from <http://dealerselectric.com>  
Generated for Model #03036OT3H284JM

Performed by

Checked



Notes: Downloaded from <http://dealerselectric.com>  
Generated for Model #030360T3H284JM

2E	A	2F	B	J
11.000	13.780	9.500	11.574	3.150
BA	D	K	G	O
5.000	7.000	2.953	1.102	13.858
P	T	AB	H	AA
13.700	2.165	10.866	0.531	NPT 1 1/2"
ER	EQ	ET	U	EM
5.250	0.630	3.006	1.249	1.375
EL	S	EP	R	d1
1.750	0.250	2.163	1.110	EUNC 1/2"-13
ES	t1	t2	C	CH
2.480	0.984	1.496	24.261	2.323
Flange FC-279	AJ	AK	BD	BF
	11.000	12.500	14.000	UNC 5/8"x11
BB	AH			
0.250	5.250			

Performed by:

Checked:

Customer:

Close Coupled Pump : Three-Phase - "JM" Type - ODP - NEMA Premium

Three-phase induction motor  
Frame 284JM - IP23

23-SEP-2016



1 2 3 4 5 6 7 8

A  
B  
C  
D  
E  
F

### RUN

### ONLY FOR START



Notes: Downloaded from <a href="http://dealerselectric.com">http://dealerselectric.com</a> Generated for Model #03036OT3H284JM		
Performed by:		
Checked:		
Customer:		
Close Coupled Pump : Three-Phase - "JM" Type - ODP - NEMA Premium		
Three-phase induction motor Frame 284JM - IP23	23-SEP-2016	