



Dealers Industrial Equipment

No.:

Date: 23-SEP-2016

Customer :

TECHNICAL PROPOSAL

Three-phase induction motor - Squirrel cage rotor

Product line : Fire Pump Motors - ODP Three Phase - Foot Mount and Flange Mount

Catalog Number : 03036OP3HFP284TS

List Price : \$2,033

Notes:

Downloaded from <http://dealerselectric.com>

Generated for Model #03036OP3HFP284TS

Performed by:

Checked:



# Dealers Industrial Equipment

No.:

Date: 23-SEP-2016

## DATA SHEET Three-phase induction motor - Squirrel cage rotor

Customer :  
 Product line : Fire Pump Motors - ODP Three Phase - Foot Mount and Flange Mount

Frame : 284TS  
 Output : 30 HP  
 Frequency : 60 Hz  
 Poles : 2  
 Full load speed : 3540 rpm  
 Slip : 1.67 %  
 Voltage : 575 V  
 Rated current : 27.6 A  
 Locked rotor current : 171 A  
 Locked rotor current (I<sub>L</sub>/I<sub>n</sub>) : 6.2  
 No-load current : 7.28 A  
 Full load torque : 43.9 lb.ft  
 Locked rotor torque : 200 %  
 Breakdown torque : 270 %  
 Design : B  
 Insulation class : F  
 Temperature rise : 80 K  
 Locked rotor time : 12 s (hot)  
 Service factor : 1.15  
 Duty cycle : S1  
 Ambient temperature : -20°C - +40°C  
 Altitude : 1000 m  
 Degree of Protection : IP23  
 Approximate weight : 321 lb  
 Moment of inertia : 1.6836 sq.ft.lb  
 Noise level : 72 dB(A)

	D.E.	N.D.E.
Bearings	6311 Z-C3	6211 Z-C3
Regreasing interval	20000 h	20000 h
Grease amount	18 g	11 g

Load	Power factor	Efficiency (%)
100%	0.88	91.0
75%	0.86	91.0
50%	0.80	91.0

Notes:  
 Downloaded from <http://dealerselectric.com>  
 Generated for Model #03036OP3HFP284TS

Performed by

Checked



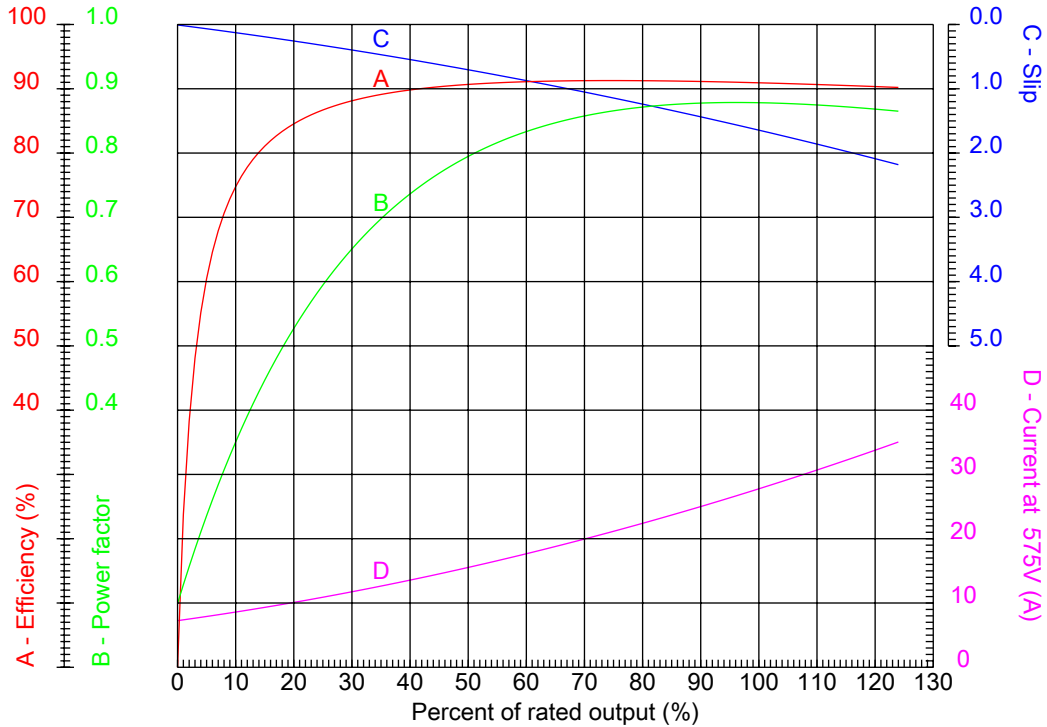
# Dealers Industrial Equipment

No.:

Date: 23-SEP-2016

## PERFORMANCE CURVES RELATED TO RATED OUTPUT

Three-phase induction motor - Squirrel cage rotor



Customer :  
 Product line : Fire Pump Motors - ODP Three Phase - Foot Mount and Flange Mount

Frame	: 284TS	Locked rotor current (I <sub>l</sub> /I <sub>n</sub> )	: 6.2
Output	: 30 HP	Duty cycle	: S1
Frequency	: 60 Hz	Service factor	: 1.15
Full load speed	: 3540 rpm	Design	: B
Voltage	: 575 V	Locked rotor torque	: 200 %
Rated current	: 27.6 A	Breakdown torque	: 270 %
Insulation class	: F		

Notes:  
 Downloaded from <http://dealerselectric.com>  
 Generated for Model #03036OP3HFP284TS

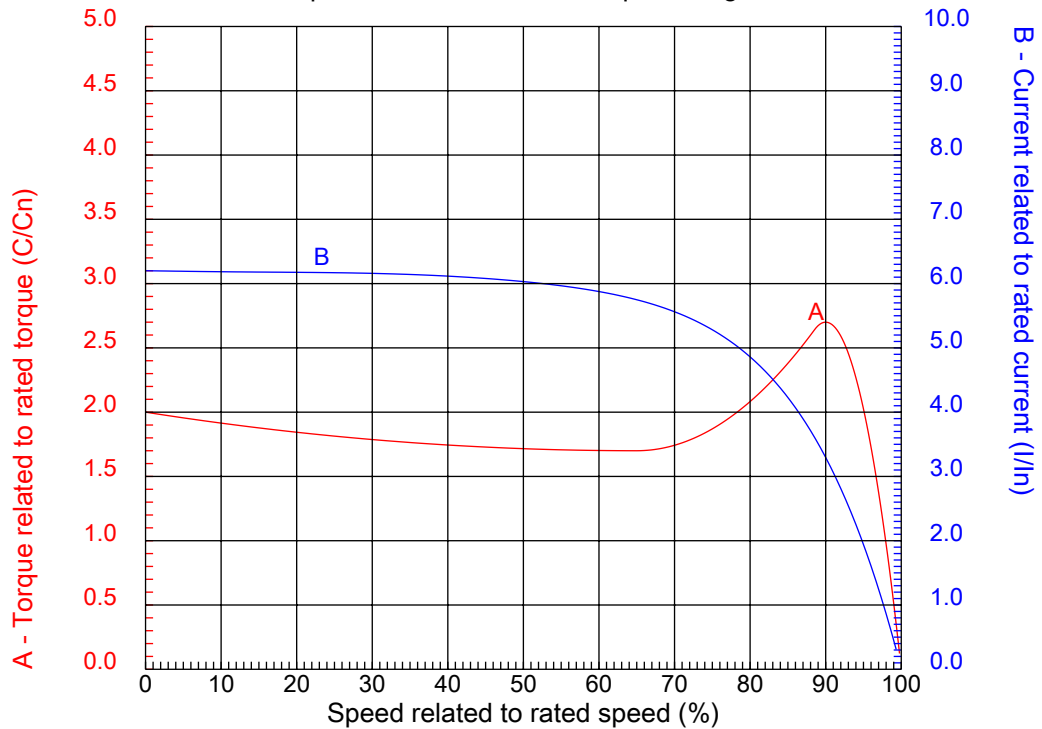
Performed by

Checked



## CHARACTERISTIC CURVES RELATED TO SPEED

Three-phase induction motor - Squirrel cage rotor



Customer :  
Product line : Fire Pump Motors - ODP Three Phase - Foot Mount and Flange Mount

Frame	: 284TS	Locked rotor current (I <sub>l</sub> /I <sub>n</sub> )	: 6.2
Output	: 30 HP	Duty cycle	: S1
Frequency	: 60 Hz	Service factor	: 1.15
Full load speed	: 3540 rpm	Design	: B
Voltage	: 575 V	Locked rotor torque	: 200 %
Rated current	: 27.6 A	Breakdown torque	: 270 %
Insulation class	: F		

Notes:  
Downloaded from <http://dealerselectric.com>  
Generated for Model #03036OP3HFP284TS

Performed by

Checked

1 2 3 4 5 6 7 8

A

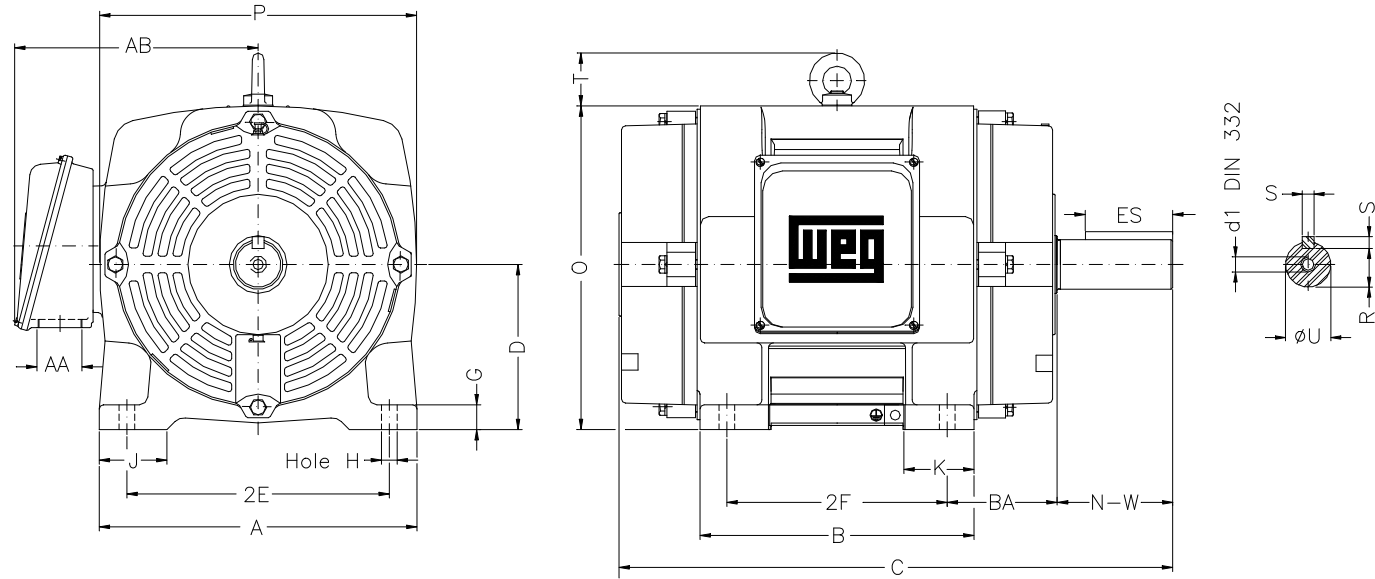
B

C

D

E

F



Notes: Downloaded from <http://dealerselectric.com>  
Generated for Model #03036OP3HFP284TS

Performed by:

Checked:

Customer:

Fire Pump Motors - ODP Three Phase - Foot Mount and Flange Mount

2E 11.000	A 13.780	2F 9.500	B 11.574	BA 4.750
J 3.150	K 2.960	P 13.700	ES 2.480	depth 0.375
S 0.375	D 7.000	N-W 3.250	G 1.102	U 1.625
O 13.858	T 2.165	R 1.416	H 0.531	AB 10.886
C 22.000	AA NPT 1 1/2"	d1 A 4		

Three-phase induction motor  
Frame 284TS - IP23

23-SEP-2016



1 2 3 4 5 6 7 8

A  
B  
C  
D  
E  
F

### RUN

### ONLY FOR START



Notes: Downloaded from <a href="http://dealerselectric.com">http://dealerselectric.com</a> Generated for Model #03036OP3HFP284TS		
Performed by:		
Checked:		
Customer:		
Fire Pump Motors - ODP Three Phase - Foot Mount and Flange Mount		
Three-phase induction motor Frame 284TS - IP23	23-SEP-2016	