



Dealers Industrial Equipment

No.:

Date: 23-SEP-2016

Customer :

TECHNICAL PROPOSAL

Three-phase induction motor - Squirrel cage rotor

Product line : W22 NEMA Premium - Ball Bearings

Catalog Number : 03036ET3H286TSC-W22

List Price : \$3,659

Notes:

Downloaded from <http://dealerselectric.com>

Generated for Model #03036ET3H286TSC-W22

Performed by:

Checked:



Dealers Industrial Equipment

No.:

Date: 23-SEP-2016

DATA SHEET Three-phase induction motor - Squirrel cage rotor

Customer :
 Product line : W22 NEMA Premium - Ball Bearings

Frame : 284/6TS
 Output : 30 HP
 Frequency : 60 Hz
 Poles : 2
 Full load speed : 3535 rpm
 Slip : 1.81 %
 Voltage : 575 V
 Rated current : 27.0 A
 Locked rotor current : 170 A
 Locked rotor current (I_L/I_n) : 6.3
 No-load current : 6.80 A
 Full load torque : 44.0 lb.ft
 Locked rotor torque : 200 %
 Breakdown torque : 250 %
 Design : B
 Insulation class : F
 Temperature rise : 80 K
 Locked rotor time : 15 s (hot)
 Service factor : 1.25
 Duty cycle : S1
 Ambient temperature : -20°C - +40°C
 Altitude : 1000 m
 Degree of Protection : IP55
 Approximate weight : 392 lb
 Moment of inertia : 3.3671 sq.ft.lb
 Noise level : 72 dB(A)

	D.E.	N.D.E.
Bearings	6311 C3	6211 C3
Regreasing interval	14000 h	17000 h
Grease amount	18 g	11 g

Load	Power factor	Efficiency (%)
100%	0.89	91.7
75%	0.87	91.7
50%	0.82	91.7

Notes:
 Downloaded from <http://dealerselectric.com>
 Generated for Model #03036ET3H286TSC-W22

Performed by

Checked



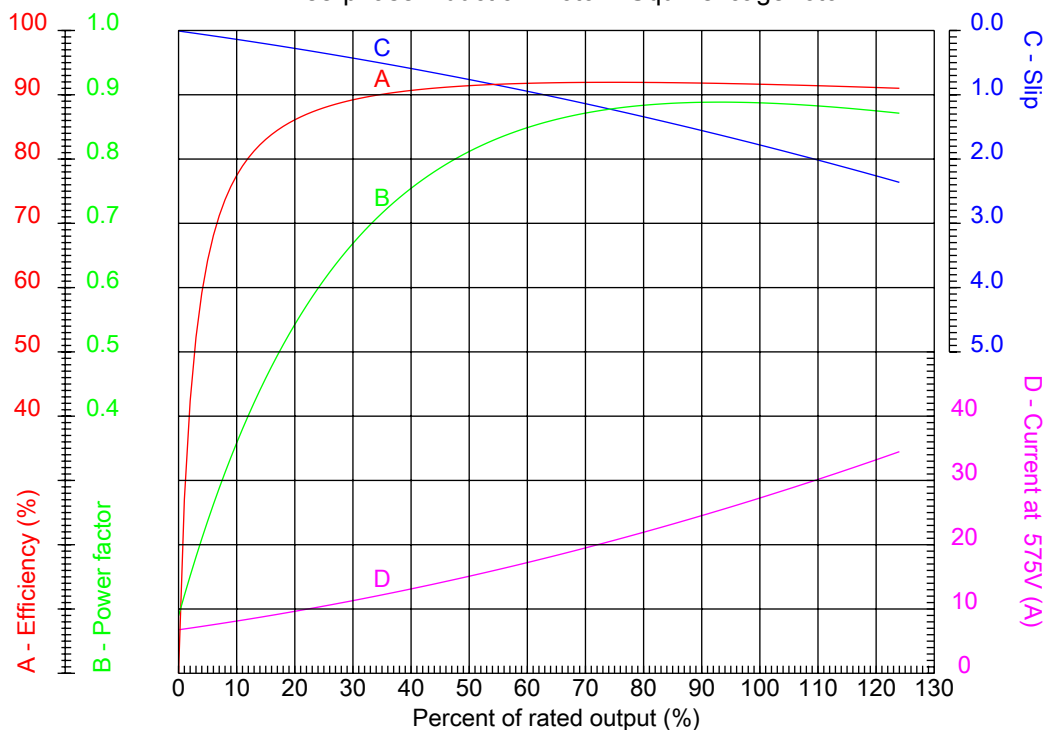
Dealers Industrial Equipment

No.:

Date: 23-SEP-2016

PERFORMANCE CURVES RELATED TO RATED OUTPUT

Three-phase induction motor - Squirrel cage rotor



Customer :
 Product line : W22 NEMA Premium - Ball Bearings

Frame : 284/6TS	Locked rotor current (I _l /I _n) : 6.3
Output : 30 HP	Duty cycle : S1
Frequency : 60 Hz	Service factor : 1.25
Full load speed : 3535 rpm	Design : B
Voltage : 575 V	Locked rotor torque : 200 %
Rated current : 27.0 A	Breakdown torque : 250 %
Insulation class : F	

Notes:
 Downloaded from <http://dealerselectric.com>
 Generated for Model #03036ET3H286TSC-W22

Performed by

Checked



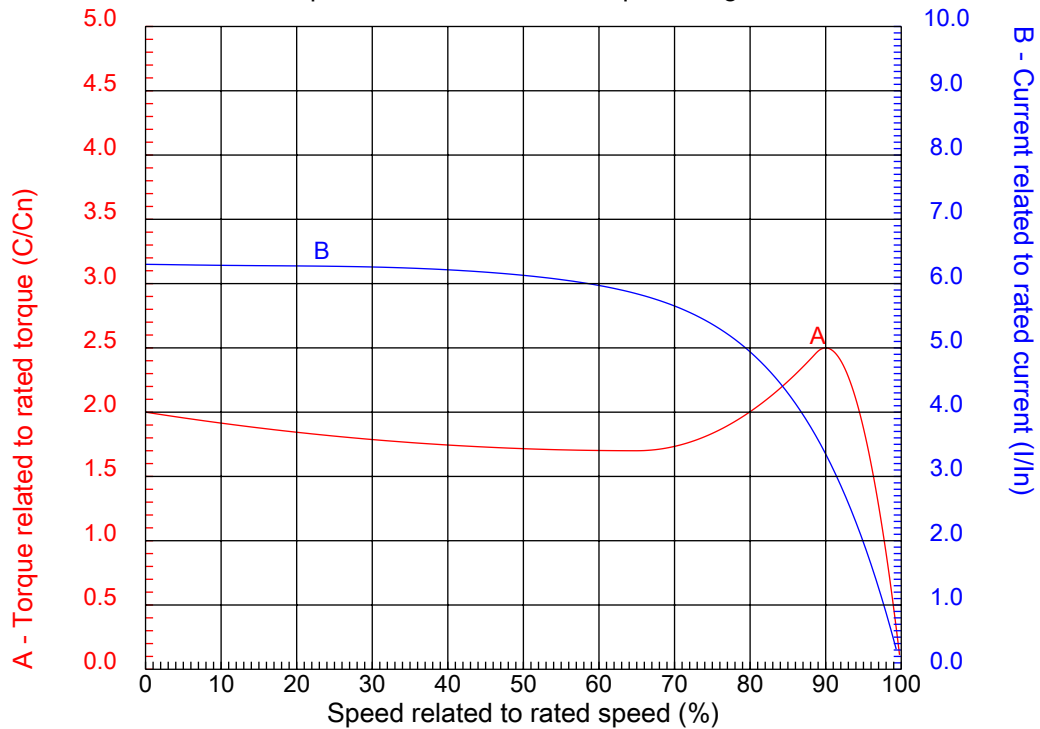
Dealers Industrial Equipment

No.:

Date: 23-SEP-2016

CHARACTERISTIC CURVES RELATED TO SPEED

Three-phase induction motor - Squirrel cage rotor



Customer :
Product line : W22 NEMA Premium - Ball Bearings

Frame	: 284/6TS	Locked rotor current (I _l /I _n)	: 6.3
Output	: 30 HP	Duty cycle	: S1
Frequency	: 60 Hz	Service factor	: 1.25
Full load speed	: 3535 rpm	Design	: B
Voltage	: 575 V	Locked rotor torque	: 200 %
Rated current	: 27.0 A	Breakdown torque	: 250 %
Insulation class	: F		

Notes:
Downloaded from <http://dealerselectric.com>
Generated for Model #03036ET3H286TSC-W22

Performed by

Checked

1 2 3 4 5 6 7 8

A

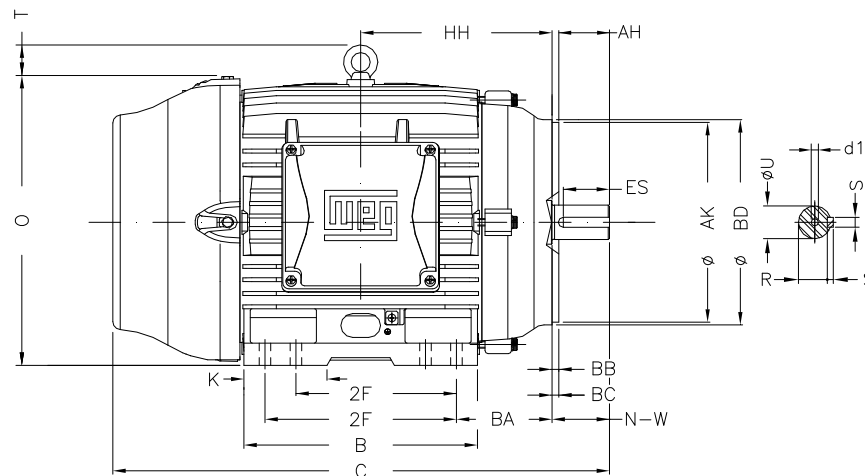
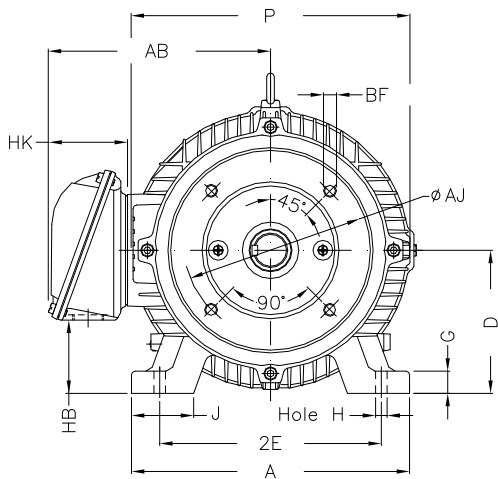
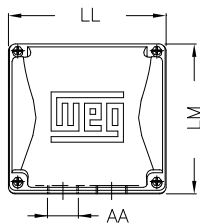
B

C

D

E

F



Notes: Downloaded from <http://dealerselectric.com>
Generated for Model #03036ET3H286TSC-W22

Performed by:

Checked:

Customer:

W22 NEMA Premium - Ball Bearings

Three-phase induction motor
Frame 284/6TS - IP55

23-SEP-2016



2E 11.000	J 3.071	A 13.780	P 14.173	AB 11.073
2F 9.500/11.000	K 3.583	B 13.071	BA 4.750	FBA 7.876
U 1.625	N-W 3.250	ES 2.480	S 0.375	R 1.416
depth 0.375	D 7.000	G 1.023	HB 3.535	O 14.067
T 2.087	HF 7.000	HH 10.250	HK 3.976	H 0.531
C 26.557	LL 7.815	LM 7.480	AA NPT 1 1/2"	d1 A 4
Flange FC-228	AJ 9.000	AK 10.500	BD 11.03	BF UNC 1/2"x13
BB 0.250	BC 0.250	AH 3.000		

1 2 3 4 5 6 7 8

A
B
C
D
E
F

RUN

ONLY FOR START



Notes: Downloaded from http://dealerselectric.com Generated for Model #03036ET3H286TSC-W22		
Performed by:		
Checked:		
Customer:		
W22 NEMA Premium - Ball Bearings		
Three-phase induction motor Frame 284/6TS - IP55	23-SEP-2016	