



# Dealers Industrial Equipment

No.:

Date: 23-SEP-2016

Customer :

## TECHNICAL PROPOSAL

### Three-phase induction motor - Squirrel cage rotor

Product line : W22 High Efficiency  
Catalog Number : 03036EP3ER286TSC-W22  
List Price : \$2,917

Notes:  
Downloaded from <http://dealerselectric.com>  
Generated for Model #03036EP3ER286TSC-W22

Performed by:

Checked:



# Dealers Industrial Equipment

No.:

Date: 23-SEP-2016

## DATA SHEET Three-phase induction motor - Squirrel cage rotor

Customer :  
Product line : W22 High Efficiency

Frame : 286TS  
Output : 30 HP  
Frequency : 60 Hz  
Poles : 2  
Full load speed : 3530 rpm  
Slip : 1.94 %  
Voltage : 230/460 V  
Rated current : 67.4/33.7 A  
Locked rotor current : 404/202 A  
Locked rotor current (I<sub>L</sub>/I<sub>n</sub>) : 6.0  
No-load current : 18.0/9.00 A  
Full load torque : 44.0 lb.ft  
Locked rotor torque : 200 %  
Breakdown torque : 240 %  
Design : B  
Insulation class : F  
Temperature rise : 80 K  
Locked rotor time : 14 s (hot)  
Service factor : 1.25  
Duty cycle : S1  
Ambient temperature : -20°C - +40°C  
Altitude : 1000 m  
Degree of Protection : IP55  
Approximate weight : 375 lb  
Moment of inertia : 2.8284 sq.ft.lb  
Noise level : 72 dB(A)

	D.E.	N.D.E.
Bearings	6311 C3	6211 C3
Regreasing interval	14000 h	17000 h
Grease amount	18 g	11 g

Load	Power factor	Efficiency (%)
100%	0.90	91.0
75%	0.88	91.0
50%	0.82	91.0

Notes:  
Downloaded from <http://dealerselectric.com>  
Generated for Model #03036EP3ER286TSC-W22

Performed by

Checked



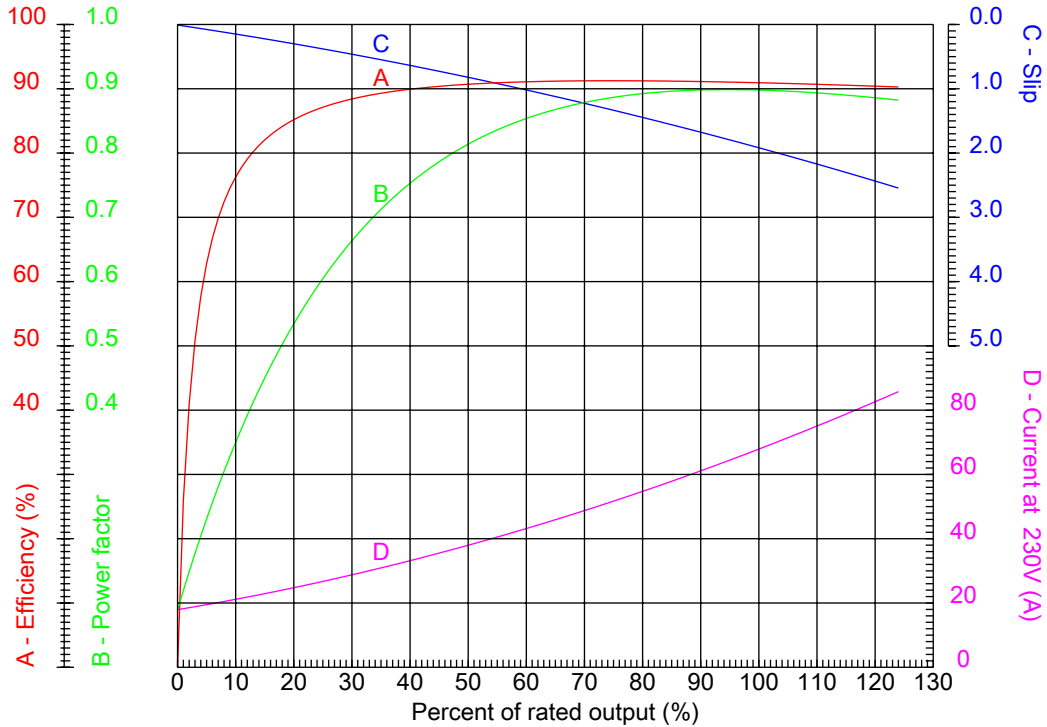
# Dealers Industrial Equipment

No.:

Date: 23-SEP-2016

## PERFORMANCE CURVES RELATED TO RATED OUTPUT

Three-phase induction motor - Squirrel cage rotor



Customer :  
Product line : W22 High Efficiency

Frame : 286TS	Locked rotor current (I <sub>l</sub> /I <sub>n</sub> ) : 6.0
Output : 30 HP	Duty cycle : S1
Frequency : 60 Hz	Service factor : 1.25
Full load speed : 3530 rpm	Design : B
Voltage : 230/460 V	Locked rotor torque : 200 %
Rated current : 67.4/33.7 A	Breakdown torque : 240 %
Insulation class : F	

Notes:  
Downloaded from <http://dealerselectric.com>  
Generated for Model #03036EP3ER286TSC-W22

Performed by

Checked



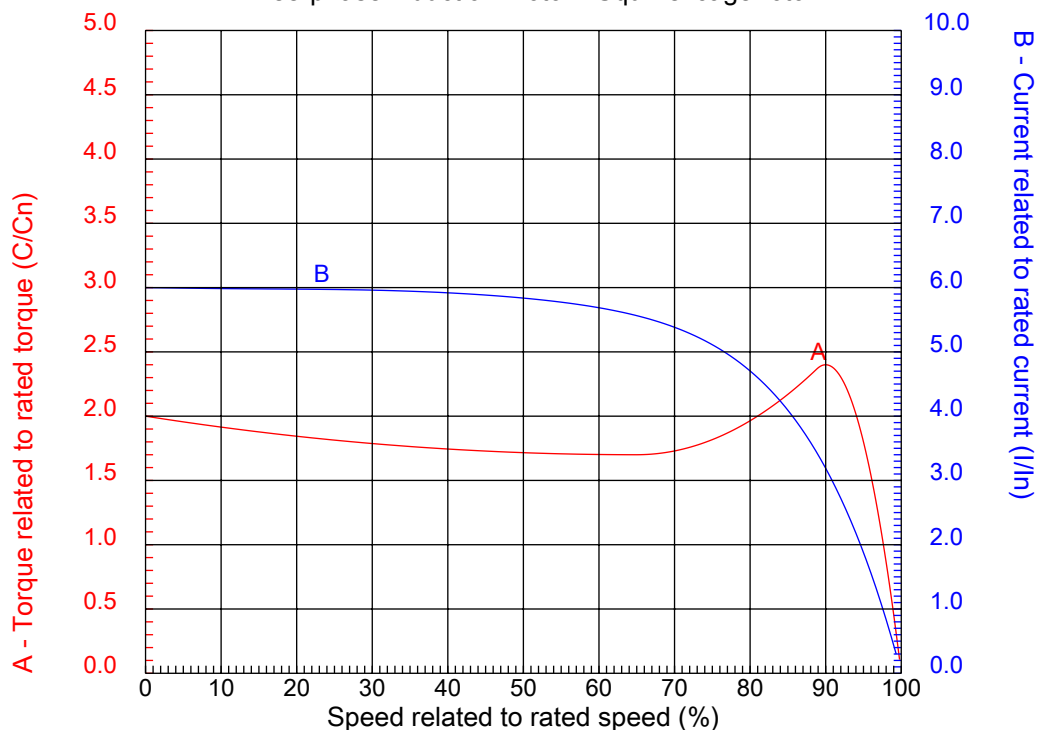
# Dealers Industrial Equipment

No.:

Date: 23-SEP-2016

## CHARACTERISTIC CURVES RELATED TO SPEED

Three-phase induction motor - Squirrel cage rotor



Customer :  
Product line : W22 High Efficiency

Frame	: 286TS	Locked rotor current (I <sub>l</sub> /I <sub>n</sub> )	: 6.0
Output	: 30 HP	Duty cycle	: S1
Frequency	: 60 Hz	Service factor	: 1.25
Full load speed	: 3530 rpm	Design	: B
Voltage	: 230/460 V	Locked rotor torque	: 200 %
Rated current	: 67.4/33.7 A	Breakdown torque	: 240 %
Insulation class	: F		

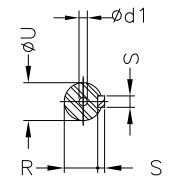
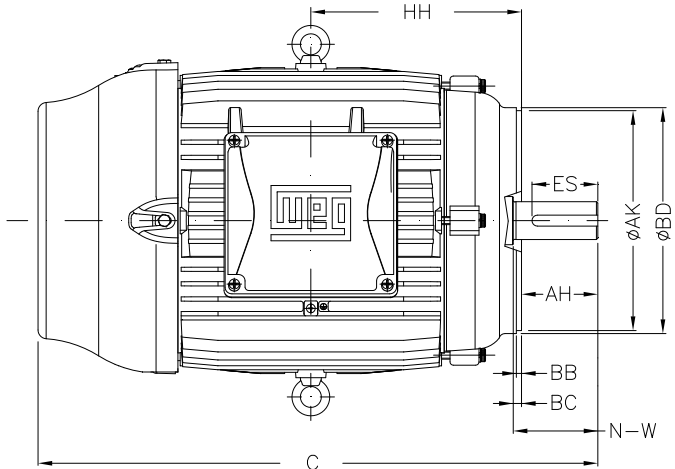
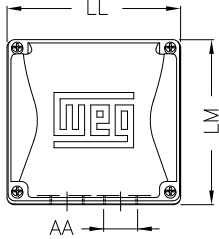
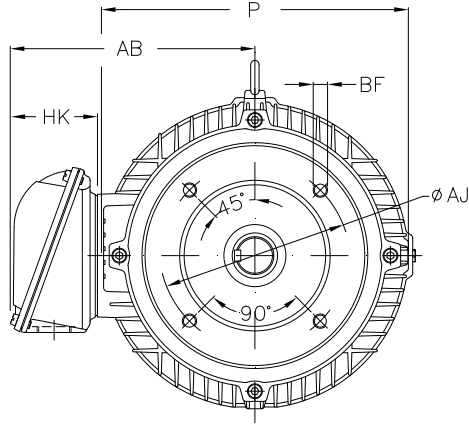
Notes:  
Downloaded from <http://dealerselectric.com>  
Generated for Model #03036EP3ER286TSC-W22

Performed by

Checked

1 2 3 4 5 6 7 8

A  
B  
C  
D  
E  
F



Notes: Downloaded from <http://dealerselectric.com>  
Generated for Model #03036EP3ER286TSC-W22

Performed by:

Checked:

Customer:

P	AB	U	N-W	ES
14.173	11.073	1.625	3.250	2.480
S	R	depth	HH	HK
0.375	1.416	0.375	10.250	3.976
C	LL	LM	AA	d1
26.557	7.815	7.480	NPT 1 1/2"	A 4
Flange	AJ	AK	BD	BF
FC-228	9.000	10.500	11.03	UNC 1/2"x13
BB	BC	AH		
0.250	0.250	3.000		

W22 High Efficiency

Three-phase induction motor  
Frame 286TS - IP55

23-SEP-2016



1 2 3 4 5 6 7 8

A  
B  
C  
D  
E  
F

LOW VOLTAGE

HIGH VOLTAGE



CONNECTIONS FOR STARTING ONLY:

LOW VOLTAGE

HIGH VOLTAGE



Notes: Downloaded from <http://dealerselectric.com>  
Generated for Model #03036EP3ER286TSC-W22

Performed by:

Checked:

Customer:

W22 High Efficiency

Three-phase induction motor  
Frame 286TS - IP55

23-SEP-2016

