



Dealers Industrial Equipment

No.:

Date: 23-SEP-2016

Customer :

TECHNICAL PROPOSAL

Three-phase induction motor - Squirrel cage rotor

Product line : P-Base Motors : High Efficiency

Catalog Number : -

List Price : \$-

Notes:

Downloaded from <http://dealerselectric.com>

Generated for Model #03036EP3E286HPH

Performed by:

Checked:



Dealers Industrial Equipment

No.:

Date: 23-SEP-2016

DATA SHEET Three-phase induction motor - Squirrel cage rotor

Customer :
Product line : P-Base Motors : High Efficiency

Frame : 286HPH
Output : 30 HP
Frequency : 60 Hz
Poles : 2
Full load speed : 3530 rpm
Slip : 1.94 %
Voltage : 230/460 V
Rated current : 67.4/33.7 A
Locked rotor current : 431/216 A
Locked rotor current (I_L/I_n) : 6.4
No-load current : 16.2/8.10 A
Full load torque : 44.0 lb.ft
Locked rotor torque : 190 %
Breakdown torque : 230 %
Design : B
Insulation class : F
Temperature rise : 80 K
Locked rotor time : 19 s (hot)
Service factor : 1.25
Duty cycle : S1
Ambient temperature : -20°C - +40°C
Altitude : 1000 m
Degree of Protection : IP55
Approximate weight : 364 lb
Moment of inertia : 2.8284 sq.ft.lb
Noise level : 75 dB(A)

	D.E.	N.D.E.
Bearings	6314 C3	6211 C3
Regreasing interval	3604 h	7113 h
Grease amount	27 g	11 g

Load	Power factor	Efficiency (%)
100%	0.90	91.0
75%	0.88	91.0
50%	0.84	90.2

Notes:
Downloaded from <http://dealerselectric.com>
Generated for Model #03036EP3E286HPH

Performed by

Checked



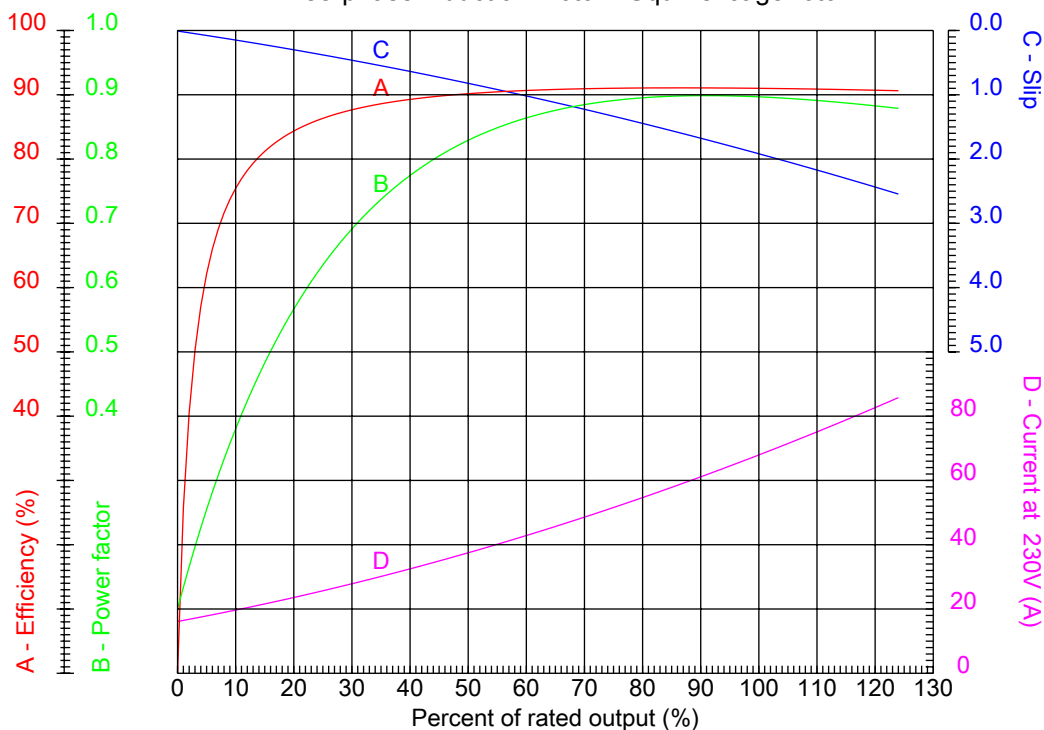
Dealers Industrial Equipment

No.:

Date: 23-SEP-2016

PERFORMANCE CURVES RELATED TO RATED OUTPUT

Three-phase induction motor - Squirrel cage rotor



Customer :
 Product line : P-Base Motors : High Efficiency

Frame	: 286HPH	Locked rotor current (I _l /I _n)	: 6.4
Output	: 30 HP	Duty cycle	: S1
Frequency	: 60 Hz	Service factor	: 1.25
Full load speed	: 3530 rpm	Design	: B
Voltage	: 230/460 V	Locked rotor torque	: 190 %
Rated current	: 67.4/33.7 A	Breakdown torque	: 230 %
Insulation class	: F		

Notes:
 Downloaded from <http://dealerselectric.com>
 Generated for Model #03036EP3E286HPH

Performed by

Checked



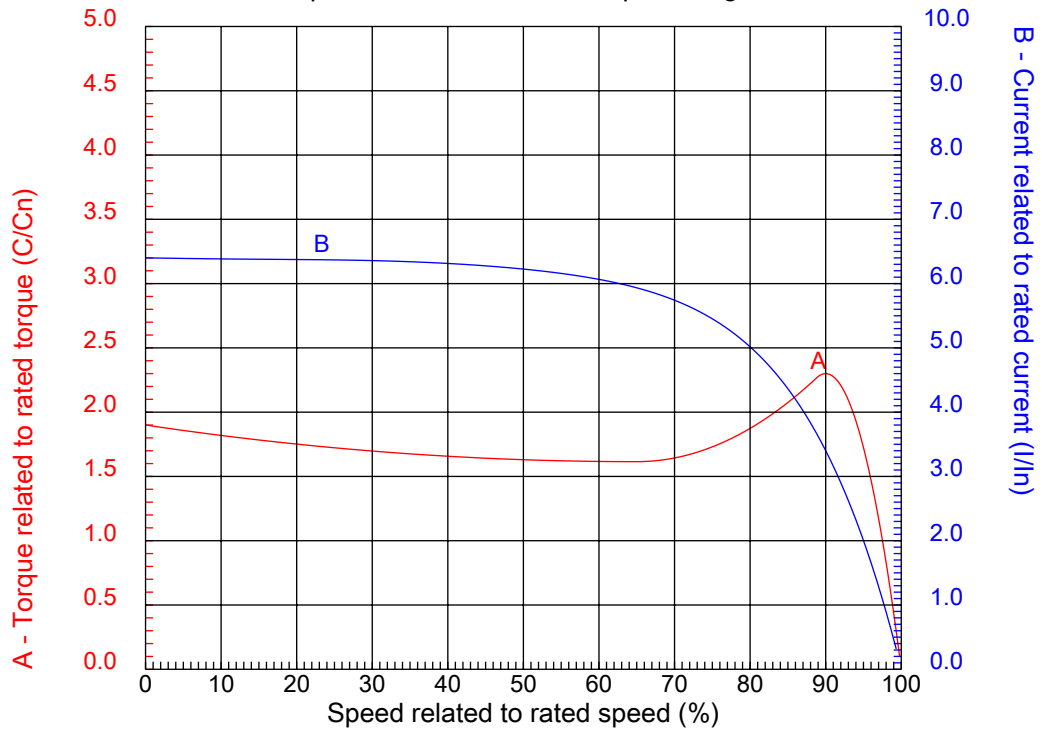
Dealers Industrial Equipment

No.:

Date: 23-SEP-2016

CHARACTERISTIC CURVES RELATED TO SPEED

Three-phase induction motor - Squirrel cage rotor



Customer :
Product line : P-Base Motors : High Efficiency

Frame	: 286HPH	Locked rotor current (I _l /I _n)	: 6.4
Output	: 30 HP	Duty cycle	: S1
Frequency	: 60 Hz	Service factor	: 1.25
Full load speed	: 3530 rpm	Design	: B
Voltage	: 230/460 V	Locked rotor torque	: 190 %
Rated current	: 67.4/33.7 A	Breakdown torque	: 230 %
Insulation class	: F		

Notes:
Downloaded from <http://dealerselectric.com>
Generated for Model #03036EP3E286HPH

Performed by

Checked

1 2 3 4 5 6 7 8

A

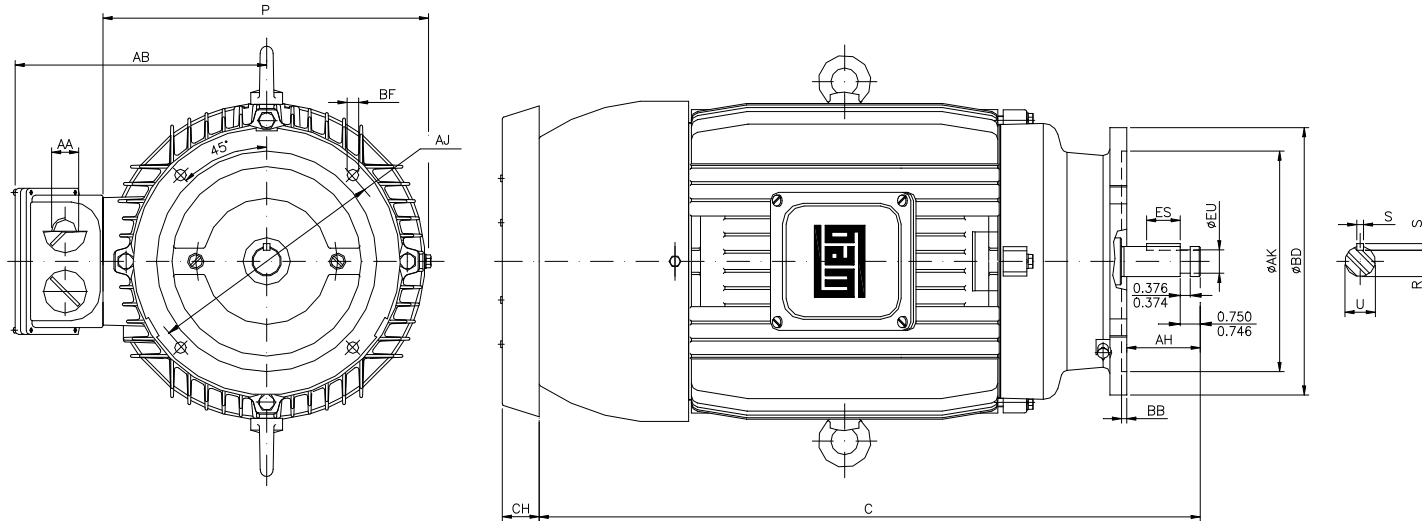
B

C

D

E

F



Notes: Downloaded from <http://dealerselectric.com>
Generated for Model #03036EP3E286HPH

Performed by:

Checked:

Customer:

P-Base Motors : High Efficiency

ES 3.150	S 0.375	BB 0.000	EU 1.250	U 1.625
R 1.415	P 14.094	AH 4.500	AB 10.866	C 29.595
CH 2.244	AA NPT 1 1/2"			

Three-phase induction motor
Frame 286HPH - IP55

23-SEP-2016

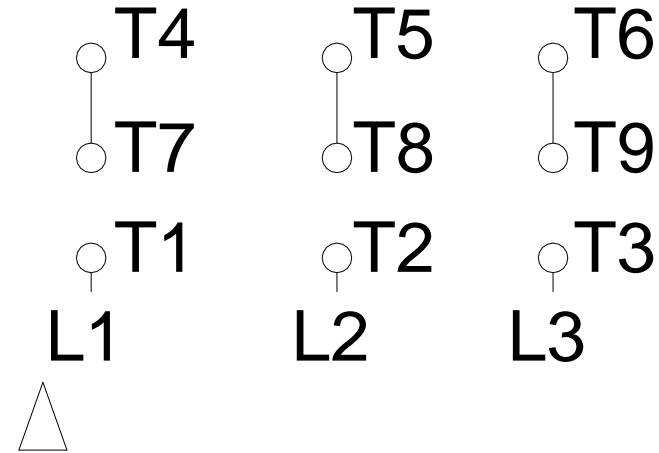
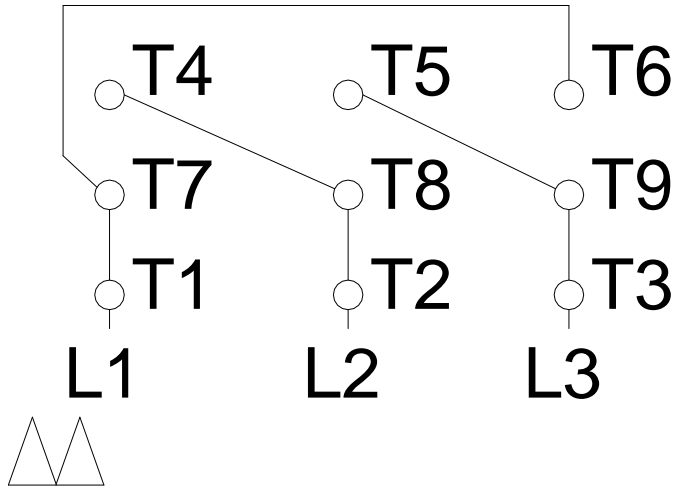


1 2 3 4 5 6 7 8

LOW VOLTAGE

HIGH VOLTAGE

A
B
C
D
E
F



Notes: Downloaded from http://dealerselectric.com Generated for Model #03036EP3E286HPH		
Performed by:		
Checked:		
Customer:		
P-Base Motors : High Efficiency		
Three-phase induction motor Frame 286HPH - IP55	23-SEP-2016	