



Dealers Industrial Equipment

No.:

Date: 23-SEP-2016

Customer :

TECHNICAL PROPOSAL

Three-phase induction motor - Squirrel cage rotor

Product line : Three-Phase : Explosion Proof - High Efficiency

Catalog Number : 03018XP3ER286TC

List Price : \$3,692

Notes:

Downloaded from <http://dealerselectric.com>

Generated for Model #03018XP3ER286TC

Performed by:

Checked:



# Dealers Industrial Equipment

No.:

Date: 23-SEP-2016

## DATA SHEET Three-phase induction motor - Squirrel cage rotor

Customer :  
 Product line : Three-Phase : Explosion Proof - High Efficiency

Frame : 286T  
 Output : 30 HP  
 Frequency : 60 Hz  
 Poles : 4  
 Full load speed : 1760 rpm  
 Slip : 2.22 %  
 Voltage : 208-230/460 V  
 Rated current : 76.7-69.4/34.7 A  
 Locked rotor current : 430/215 A  
 Locked rotor current (I<sub>L</sub>/I<sub>n</sub>) : 6.2  
 No-load current : 22.0/11.0 A  
 Full load torque : 88.3 lb.ft  
 Locked rotor torque : 240 %  
 Breakdown torque : 260 %  
 Design : B  
 Insulation class : F  
 Temperature rise : 80 K  
 Locked rotor time : 22 s (hot)  
 Service factor : 1.15  
 Duty cycle : S1  
 Ambient temperature : -20°C - +40°C  
 Altitude : 1000 m  
 Degree of Protection : IP54  
 Approximate weight : 511 lb  
 Moment of inertia : 5.3212 sq.ft.lb  
 Noise level : 68 dB(A)

	D.E.	N.D.E.
Bearings	6311 2RS-C3	6211 2RS-C3
Regreasing interval	---	---
Grease amount	---	---

Load	Power factor	Efficiency (%)
100%	0.86	92.4
75%	0.83	93.0
50%	0.75	93.0

Notes:  
 Downloaded from <http://dealerselectric.com>  
 Generated for Model #03018XP3ER286TC

Performed by

Checked



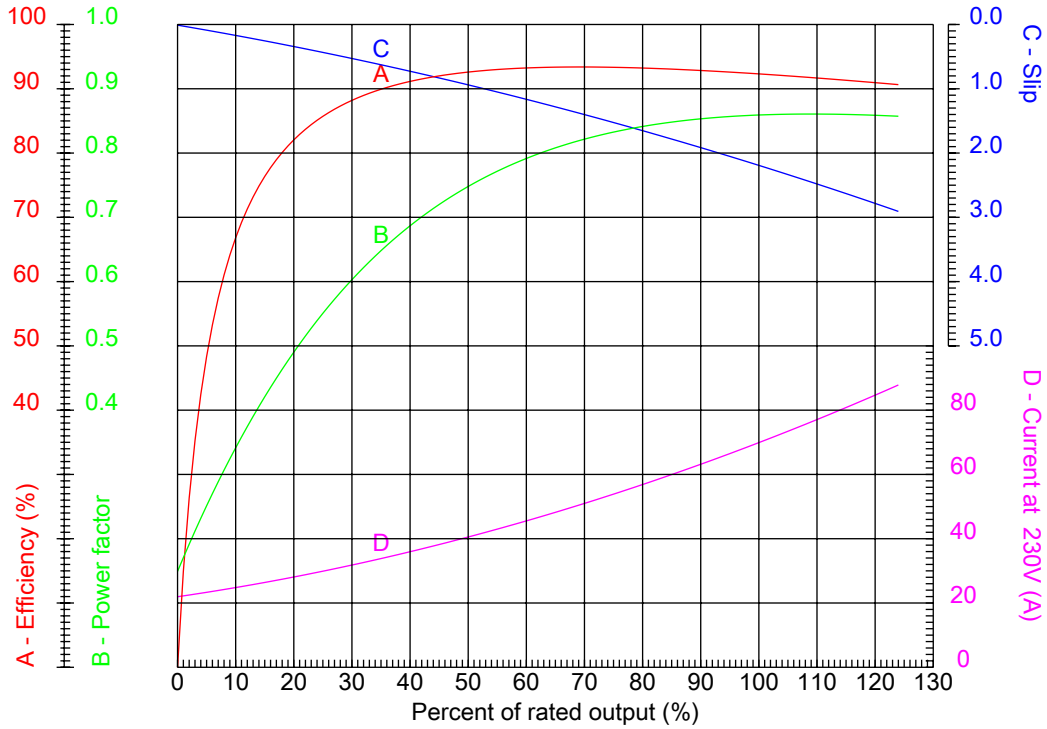
# Dealers Industrial Equipment

No.:

Date: 23-SEP-2016

## PERFORMANCE CURVES RELATED TO RATED OUTPUT

Three-phase induction motor - Squirrel cage rotor



Customer :  
 Product line : Three-Phase : Explosion Proof - High Efficiency

Frame : 286T	Locked rotor current (I <sub>L</sub> /I <sub>n</sub> ) : 6.2
Output : 30 HP	Duty cycle : S1
Frequency : 60 Hz	Service factor : 1.15
Full load speed : 1760 rpm	Design : B
Voltage : 208-230/460 V	Locked rotor torque : 240 %
Rated current : 76.7-69.4/34.7 A	Breakdown torque : 260 %
Insulation class : F	

Notes:  
 Downloaded from <http://dealerselectric.com>  
 Generated for Model #03018XP3ER286TC

Performed by

Checked



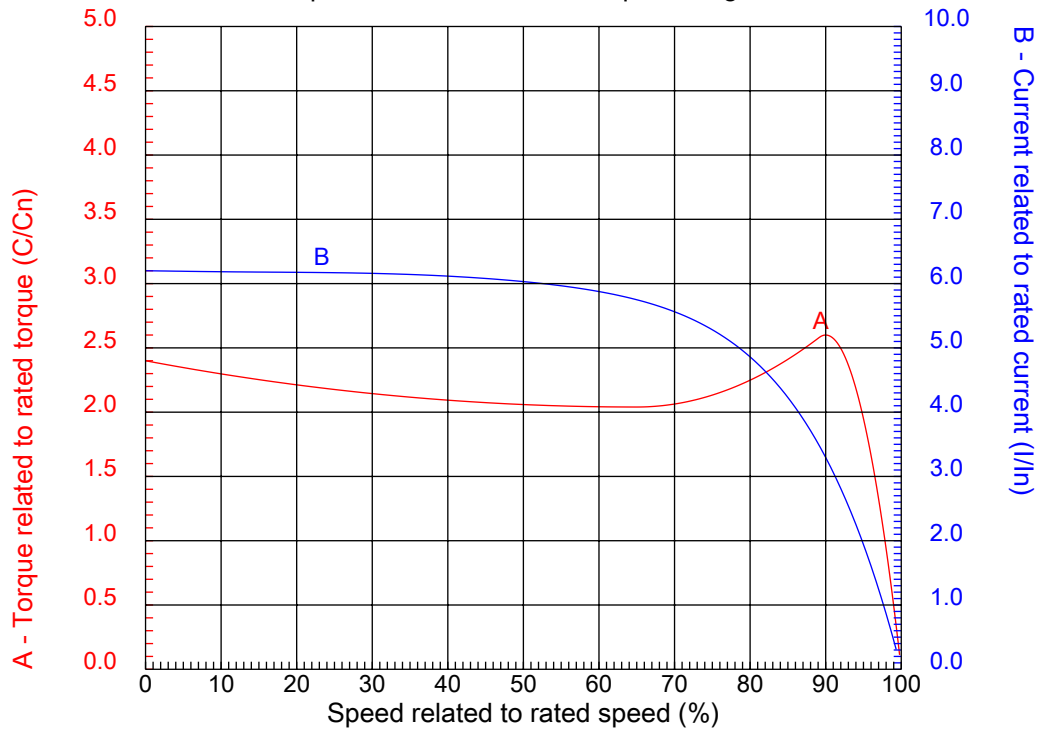
# Dealers Industrial Equipment

No.:

Date: 23-SEP-2016

## CHARACTERISTIC CURVES RELATED TO SPEED

Three-phase induction motor - Squirrel cage rotor



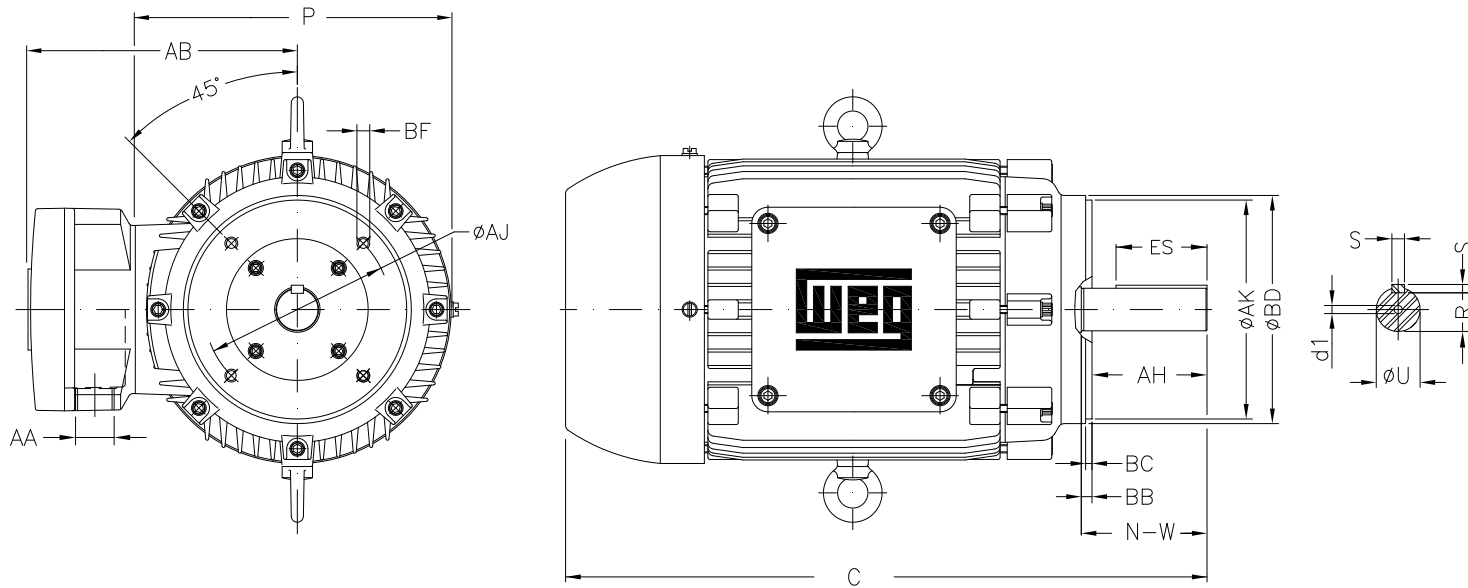
Customer :  
Product line : Three-Phase : Explosion Proof - High Efficiency

Frame	: 286T	Locked rotor current (I <sub>l</sub> /I <sub>n</sub> )	: 6.2
Output	: 30 HP	Duty cycle	: S1
Frequency	: 60 Hz	Service factor	: 1.15
Full load speed	: 1760 rpm	Design	: B
Voltage	: 208-230/460 V	Locked rotor torque	: 240 %
Rated current	: 76.7-69.4/34.7 A	Breakdown torque	: 260 %
Insulation class	: F		

Notes:  
Downloaded from <http://dealerselectric.com>  
Generated for Model #03018XP3ER286TC

Performed by

Checked



Notes: Downloaded from <http://dealerselectric.com>  
 Generated for Model #03018XP3ER286TC

Performed by:

Checked:

Customer:

Three-Phase : Explosion Proof - High Efficiency

P	ES	S	depth	N-W
14.094	3.149	0.500	0.500	4.622
U	R	AB	C	AA
1.875	1.594	11.850	27.905	NPT 1 1/2"
d1	d2	Flange	AJ	AK
A 4	A 4	FC-228	9.000	10.500
BD	BF	BB	BC	AH
11.031	UNC 1/2"x13	0.250	0.250	4.375

Three-phase induction motor  
 Frame 286T - IP54

23-SEP-2016



1 2 3 4 5 6 7 8

A  
B  
C  
D  
E  
F

LOW VOLTAGE

HIGH VOLTAGE



CONNECTIONS FOR STARTING ONLY:

LOW VOLTAGE

HIGH VOLTAGE



Notes: Downloaded from <http://dealerselectric.com>  
Generated for Model #03018XP3ER286TC

Performed by:

Checked:

Customer:

Three-Phase : Explosion Proof - High Efficiency

Three-phase induction motor  
Frame 286T - IP54

23-SEP-2016

