



# Dealers Industrial Equipment

No.:

Date: 23-SEP-2016

Customer :

## TECHNICAL PROPOSAL

### Three-phase induction motor - Squirrel cage rotor

Product line : W22 General Purpose TEFC

Catalog Number : 03018ET3H286T-W22G

List Price : \$3,533

#### Notes:

Downloaded from <http://dealerselectric.com>

Generated for Model #03018ET3H286T-W22G

Performed by:

Checked:



# Dealers Industrial Equipment

No.:

Date: 23-SEP-2016

## DATA SHEET Three-phase induction motor - Squirrel cage rotor

Customer :  
Product line : W22 General Purpose TEFC

Frame : 284/6T  
Output : 30 HP  
Frequency : 60 Hz  
Poles : 4  
Full load speed : 1765 rpm  
Slip : 1.94 %  
Voltage : 575 V  
Rated current : 28.1 A  
Locked rotor current : 171 A  
Locked rotor current (I<sub>L</sub>/I<sub>n</sub>) : 6.1  
No-load current : 10.4 A  
Full load torque : 88.1 lb.ft  
Locked rotor torque : 240 %  
Breakdown torque : 240 %  
Design : B  
Insulation class : F  
Temperature rise : 80 K  
Locked rotor time : 20 s (hot)  
Service factor : 1.25  
Duty cycle : S1  
Ambient temperature : -20°C - +40°C  
Altitude : 1000 m  
Degree of Protection : IP55  
Approximate weight : 437 lb  
Moment of inertia : 5.8532 sq.ft.lb  
Noise level : 64 dB(A)

	D.E.	N.D.E.
Bearings	6311 C3	6211 C3
Regreasing interval	20000 h	20000 h
Grease amount	18 g	11 g

Load	Power factor	Efficiency (%)
100%	0.84	93.6
75%	0.80	93.0
50%	0.70	93.0

Notes:  
Downloaded from <http://dealerselectric.com>  
Generated for Model #03018ET3H286T-W22G

Performed by

Checked



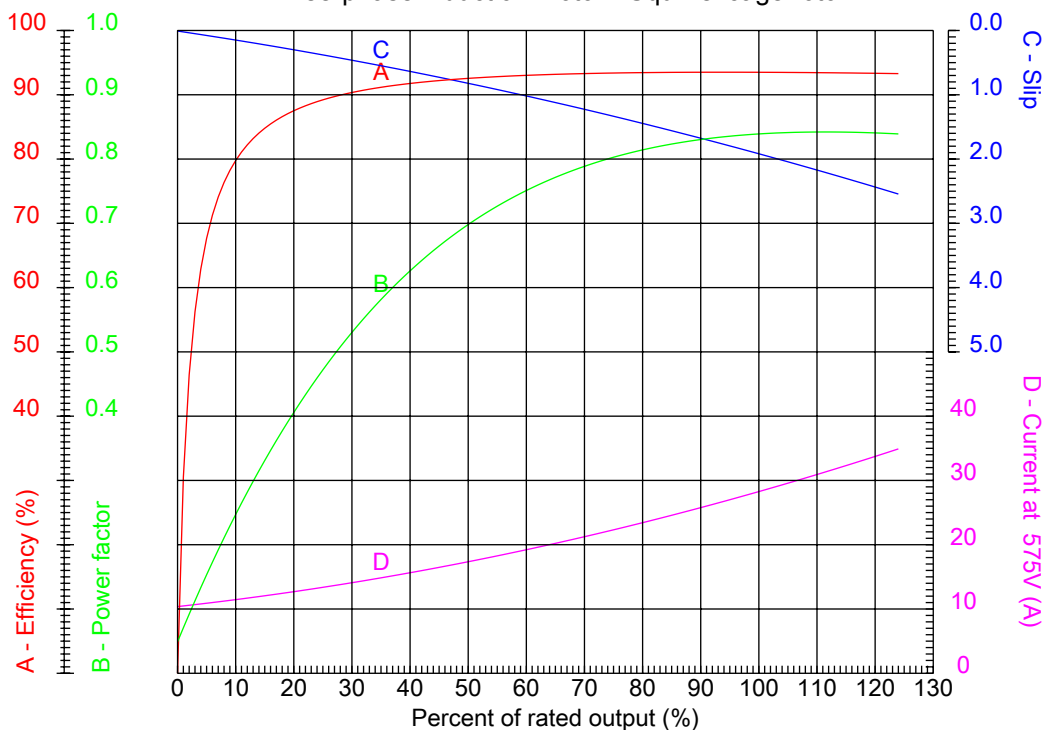
# Dealers Industrial Equipment

No.:

Date: 23-SEP-2016

## PERFORMANCE CURVES RELATED TO RATED OUTPUT

Three-phase induction motor - Squirrel cage rotor



Customer :  
 Product line : W22 General Purpose TEFC

Frame : 284/6T	Locked rotor current (I <sub>L</sub> /I <sub>n</sub> ) : 6.1
Output : 30 HP	Duty cycle : S1
Frequency : 60 Hz	Service factor : 1.25
Full load speed : 1765 rpm	Design : B
Voltage : 575 V	Locked rotor torque : 240 %
Rated current : 28.1 A	Breakdown torque : 240 %
Insulation class : F	

Notes:  
 Downloaded from <http://dealerselectric.com>  
 Generated for Model #03018ET3H286T-W22G

Performed by

Checked



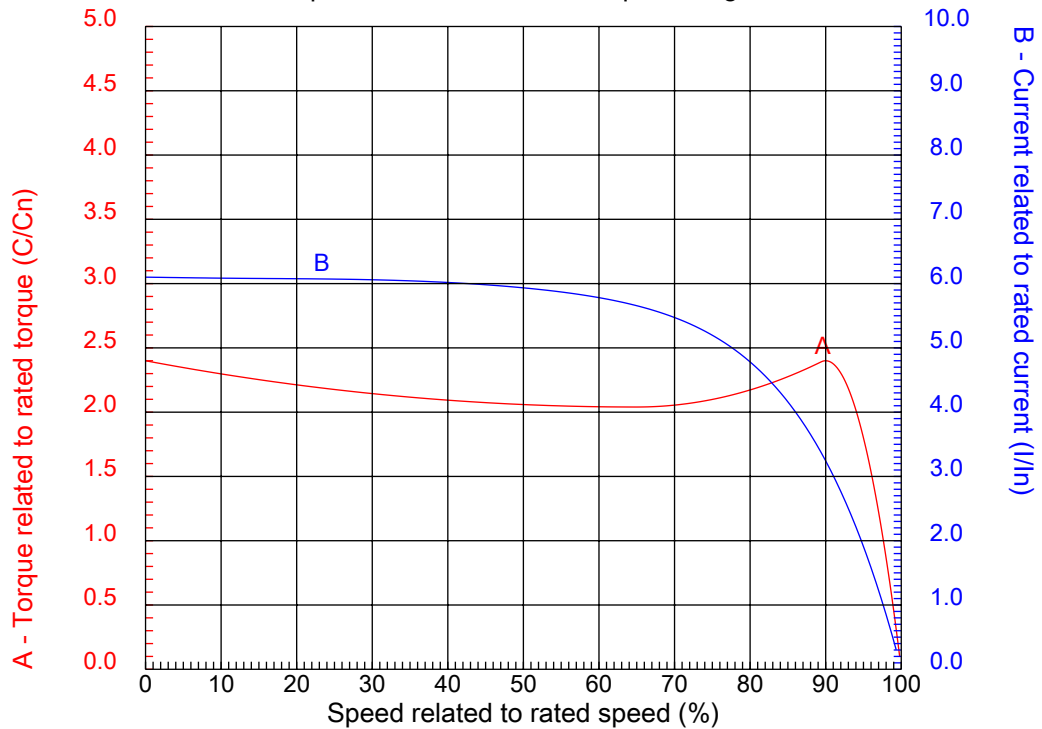
# Dealers Industrial Equipment

No.:

Date: 23-SEP-2016

## CHARACTERISTIC CURVES RELATED TO SPEED

Three-phase induction motor - Squirrel cage rotor



Customer :  
Product line : W22 General Purpose TEFC

Frame	: 284/6T	Locked rotor current (I <sub>l</sub> /I <sub>n</sub> )	: 6.1
Output	: 30 HP	Duty cycle	: S1
Frequency	: 60 Hz	Service factor	: 1.25
Full load speed	: 1765 rpm	Design	: B
Voltage	: 575 V	Locked rotor torque	: 240 %
Rated current	: 28.1 A	Breakdown torque	: 240 %
Insulation class	: F		

Notes:  
Downloaded from <http://dealerselectric.com>  
Generated for Model #03018ET3H286T-W22G

Performed by

Checked

1 2 3 4 5 6 7 8

A

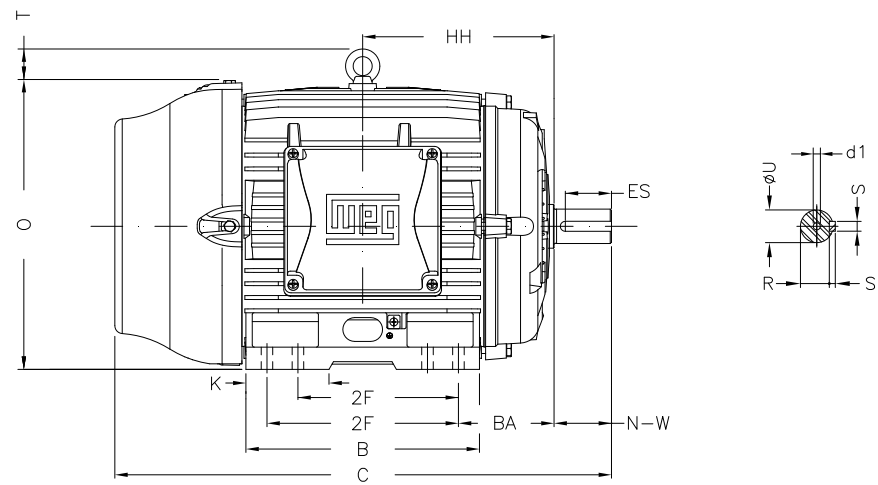
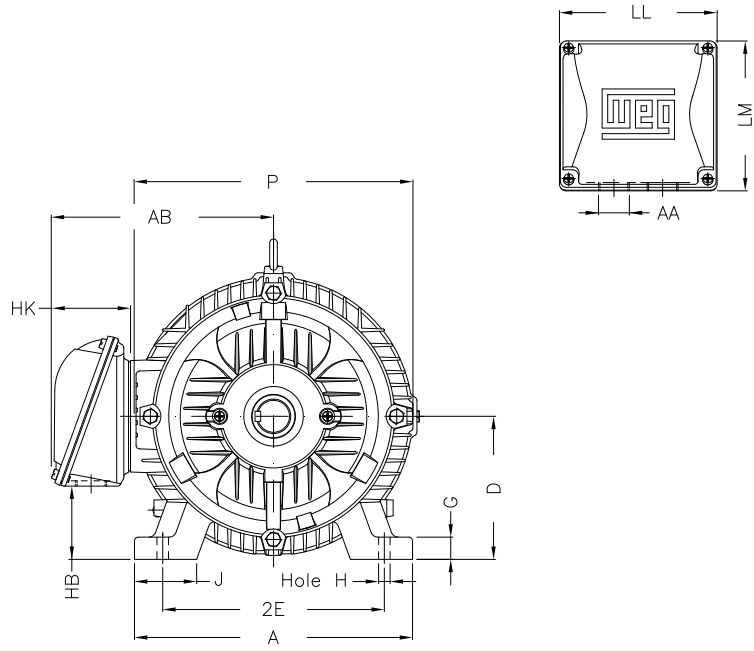
B

C

D

E

F



Notes: Downloaded from <http://dealerselectric.com>  
Generated for Model #03018ET3H286T-W22G

Performed by:

Checked:

Customer:

W22 General Purpose TEFC

Three-phase induction motor  
Frame 284/6T - IP55

23-SEP-2016



2E 11.000	J 3.071	A 13.780	P 14.173	AB 11.073
2F 9.500/11.000	K 3.583	B 13.071	BA 4.750	FBA 7.876
U 1.875	N-W 4.622	ES 3.149	S 0.500	R 1.594
depth 0.500	D 7.000	G 1.023	HB 3.535	O 14.067
T 2.087	HF 7.000	HH 10.250	HK 3.976	H 0.531
C 27.929	LL 7.815	LM 7.480	AA NPT 1 1/2"	d1 A 4

1 2 3 4 5 6 7 8

A  
B  
C  
D  
E  
F

### RUN



### ONLY FOR START



Notes: Downloaded from <a href="http://dealerselectric.com">http://dealerselectric.com</a> Generated for Model #03018ET3H286T-W22G		
Performed by:		
Checked:		
Customer:		
W22 General Purpose TEFC		
Three-phase induction motor Frame 284/6T - IP55	23-SEP-2016	