



Dealers Industrial Equipment

No.:

Date: 23-SEP-2016

Customer :

TECHNICAL PROPOSAL

Three-phase induction motor - Squirrel cage rotor

Product line : Close Coupled Pump: Three-Phase - W22 "JP" Type - TEFC - High Efficiency

Catalog Number : 03018EP3E286JP-W22

List Price : \$>(discontinued)

Notes:

Downloaded from <http://dealerselectric.com>

Generated for Model #03018EP3E286JP-W22

Performed by:

Checked:



Dealers Industrial Equipment

No.:

Date: 23-SEP-2016

DATA SHEET Three-phase induction motor - Squirrel cage rotor

Customer :
 Product line : Close Coupled Pump: Three-Phase - W22 "JP" Type - TEFC - High Efficiency

Frame : 284/6JP
 Output : 30 HP
 Frequency : 60 Hz
 Poles : 4
 Full load speed : 1760 rpm
 Slip : 2.22 %
 Voltage : 208-230/460 V
 Rated current : 75.9-68.6/34.3 A
 Locked rotor current : 412/206 A
 Locked rotor current (I_L/I_n) : 6.0
 No-load current : 21.0/10.5 A
 Full load torque : 88.3 lb.ft
 Locked rotor torque : 230 %
 Breakdown torque : 240 %
 Design : B
 Insulation class : F
 Temperature rise : 80 K
 Locked rotor time : 19 s (hot)
 Service factor : 1.25
 Duty cycle : S1
 Ambient temperature : -20°C - +40°C
 Altitude : 1000 m
 Degree of Protection : IP55
 Approximate weight : 419 lb
 Moment of inertia : 5.3212 sq.ft.lb
 Noise level : 64 dB(A)

	D.E.	N.D.E.
Bearings	6311 C3	6211 C3
Regreasing interval	20000 h	20000 h
Grease amount	18 g	11 g

Load	Power factor	Efficiency (%)
100%	0.87	92.4
75%	0.83	93.0
50%	0.74	92.4

Notes:
 Downloaded from <http://dealerselectric.com>
 Generated for Model #03018EP3E286JP-W22

Performed by

Checked



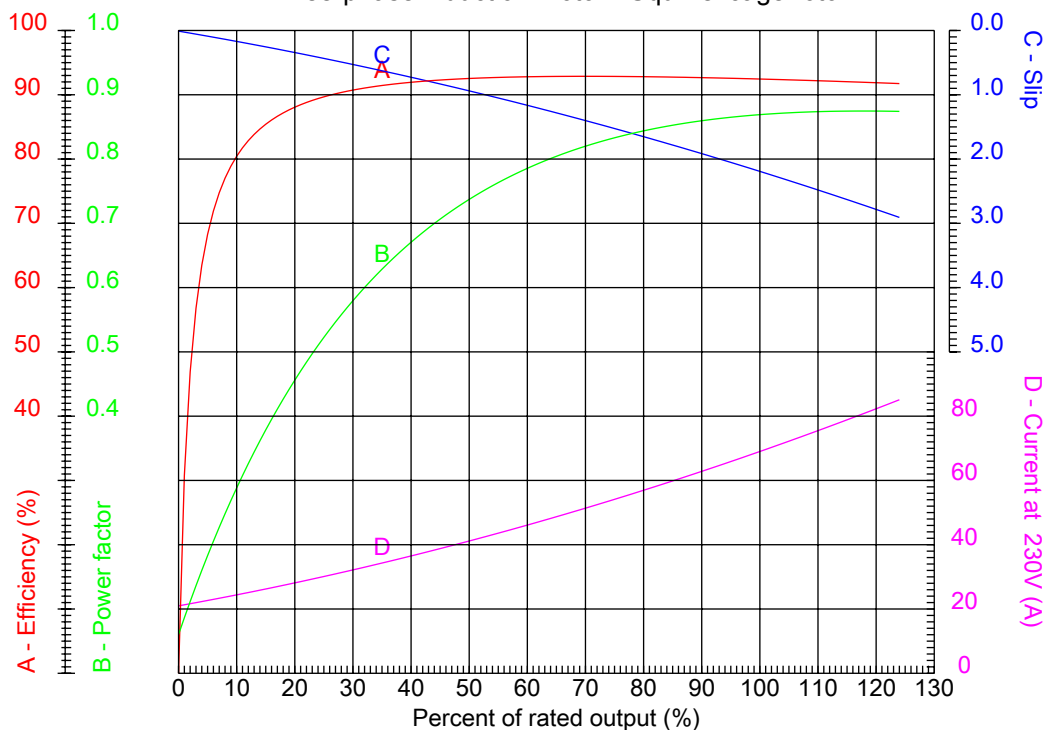
Dealers Industrial Equipment

No.:

Date: 23-SEP-2016

PERFORMANCE CURVES RELATED TO RATED OUTPUT

Three-phase induction motor - Squirrel cage rotor



Customer :
Product line : Close Coupled Pump: Three-Phase - W22 "JP" Type - TEFC - High Efficiency

Frame	: 284/6JP	Locked rotor current (I _l /I _n)	: 6.0
Output	: 30 HP	Duty cycle	: S1
Frequency	: 60 Hz	Service factor	: 1.25
Full load speed	: 1760 rpm	Design	: B
Voltage	: 208-230/460 V	Locked rotor torque	: 230 %
Rated current	: 75.9-68.6/34.3 A	Breakdown torque	: 240 %
Insulation class	: F		

Notes:
Downloaded from <http://dealerselectric.com>
Generated for Model #03018EP3E286JP-W22

Performed by

Checked



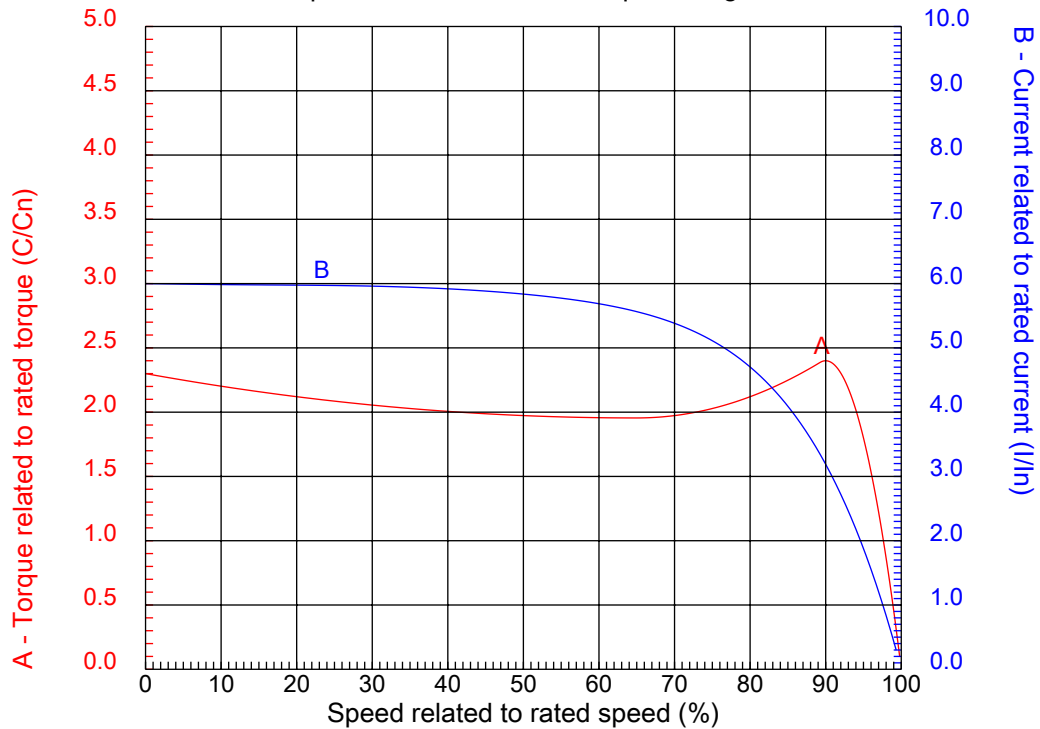
Dealers Industrial Equipment

No.:

Date: 23-SEP-2016

CHARACTERISTIC CURVES RELATED TO SPEED

Three-phase induction motor - Squirrel cage rotor



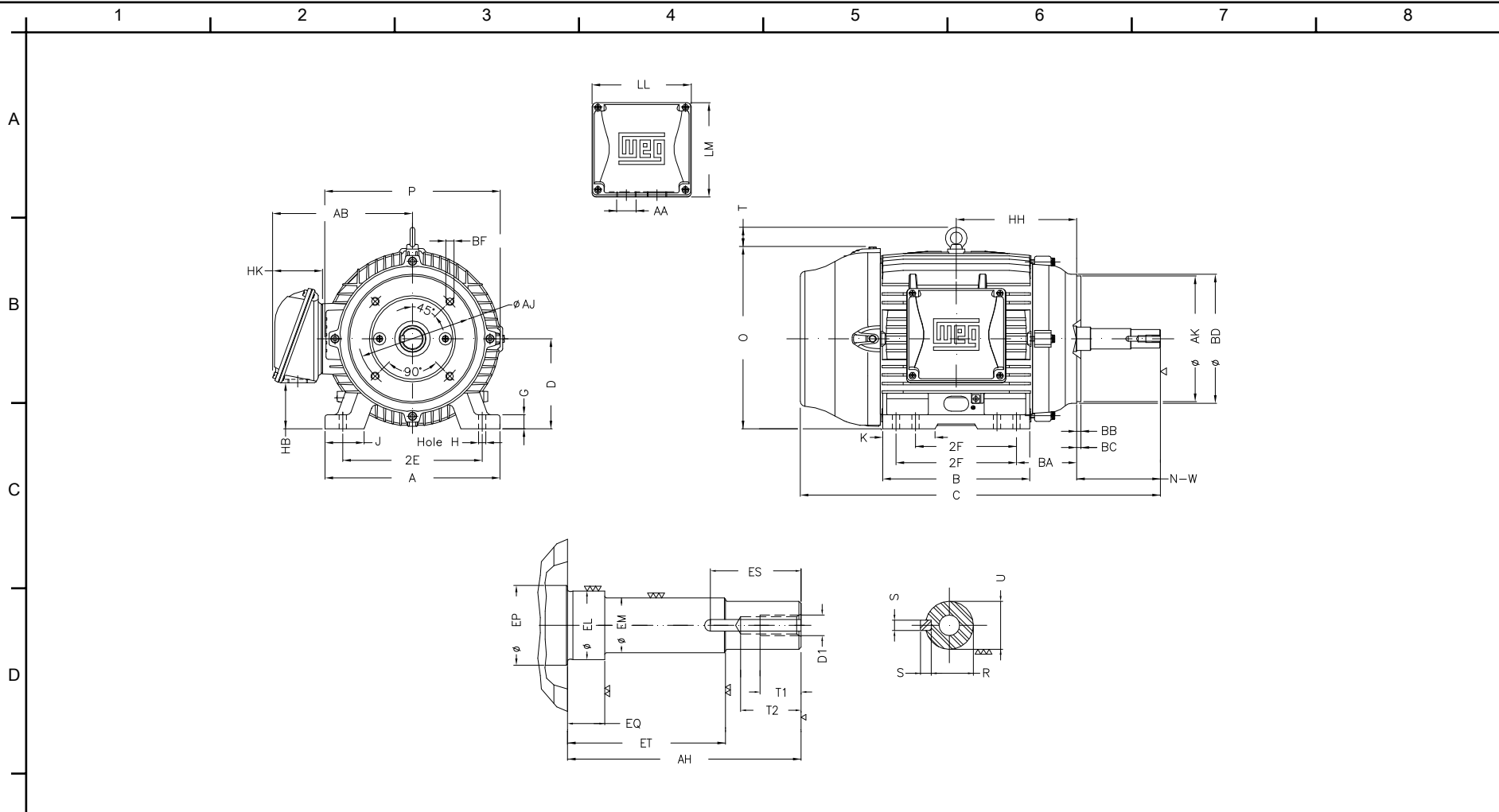
Customer :
Product line : Close Coupled Pump: Three-Phase - W22 "JP" Type - TEFC - High Efficiency

Frame	: 284/6JP	Locked rotor current (I _l /I _n)	: 6.0
Output	: 30 HP	Duty cycle	: S1
Frequency	: 60 Hz	Service factor	: 1.25
Full load speed	: 1760 rpm	Design	: B
Voltage	: 208-230/460 V	Locked rotor torque	: 230 %
Rated current	: 75.9-68.6/34.3 A	Breakdown torque	: 240 %
Insulation class	: F		

Notes:
Downloaded from <http://dealerselectric.com>
Generated for Model #03018EP3E286JP-W22

Performed by

Checked



E	2E 11.000	J 3.071	A 13.780	P 14.173	AB 11.073
	2F 9.500/11.000	K 3.583	B 13.071	BA 4.750	D 7.000
	G 1.023	O 14.067	T 2.087	H 0.531	AA NPT 1 1/2"
	EQ 2.382	ET 5.886	U 1.249	EM 1.375	EL 1.750
	EP 2.163	ES 2.480	t1 0.984	t2 1.102	C 31.575
F	d1 EUNC 1/2"-13	HH 10.250	HK 3.976	HB 3.535	LL 7.815
	LM 7.480	S 0.250	R 1.110	Flange FC-279	AJ 11.000
	AK 12.500	BD 13.593	BF UNC 5/8"x11	BB 0.248	AH 8.130

Notes: Downloaded from <http://dealerselectric.com>
 Generated for Model #03018EP3E286JP-W22

Performed by:


Checked:

Customer:

Close Coupled Pump: Three-Phase - W22 "JP" Type - TEFC - High Efficiency

Three-phase induction motor
 Frame 284/6JP - IP55

23-SEP-2016



1 2 3 4 5 6 7 8

A
B
C
D
E
F

LOW VOLTAGE

HIGH VOLTAGE



CONNECTIONS FOR STARTING ONLY:

LOW VOLTAGE

HIGH VOLTAGE



Notes: Downloaded from <http://dealerselectric.com>
Generated for Model #03018EP3E286JP-W22

Performed by:

Checked:

Customer:

Close Coupled Pump: Three-Phase - W22 "JP" Type - TEFC - High Efficiency

Three-phase induction motor
Frame 284/6JP - IP55

23-SEP-2016

