



Dealers Industrial Equipment

No.:

Date: 23-SEP-2016

Customer :

TECHNICAL PROPOSAL

## Three-phase induction motor - Squirrel cage rotor

Product line : P-Base Motors : High Efficiency

Catalog Number : -

List Price : \$-

Notes:

Downloaded from <http://dealerselectric.com>

Generated for Model #03018EP3E286HPH

Performed by:

Checked:



# Dealers Industrial Equipment

No.:

Date: 23-SEP-2016

## DATA SHEET Three-phase induction motor - Squirrel cage rotor

Customer :  
Product line : P-Base Motors : High Efficiency

Frame : 286HPH  
Output : 30 HP  
Frequency : 60 Hz  
Poles : 4  
Full load speed : 1760 rpm  
Slip : 2.22 %  
Voltage : 230/460 V  
Rated current : 69.4/34.7 A  
Locked rotor current : 430/215 A  
Locked rotor current (I<sub>L</sub>/I<sub>n</sub>) : 6.2  
No-load current : 22.0/11.0 A  
Full load torque : 88.3 lb.ft  
Locked rotor torque : 240 %  
Breakdown torque : 260 %  
Design : B  
Insulation class : F  
Temperature rise : 80 K  
Locked rotor time : 22 s (hot)  
Service factor : 1.25  
Duty cycle : S1  
Ambient temperature : -20°C - +40°C  
Altitude : 1000 m  
Degree of Protection : IP55  
Approximate weight : 456 lb  
Moment of inertia : 4.8523 sq.ft.lb  
Noise level : 68 dB(A)

|                     | D.E.    | N.D.E.  |
|---------------------|---------|---------|
| Bearings            | 6314 C3 | 6211 C3 |
| Regreasing interval | 9790 h  | 10000 h |
| Grease amount       | 27 g    | 11 g    |

| Load | Power factor | Efficiency (%) |
|------|--------------|----------------|
| 100% | 0.86         | 92.4           |
| 75%  | 0.83         | 93.0           |
| 50%  | 0.75         | 93.0           |

Notes:  
Downloaded from <http://dealerselectric.com>  
Generated for Model #03018EP3E286HPH

Performed by

Checked

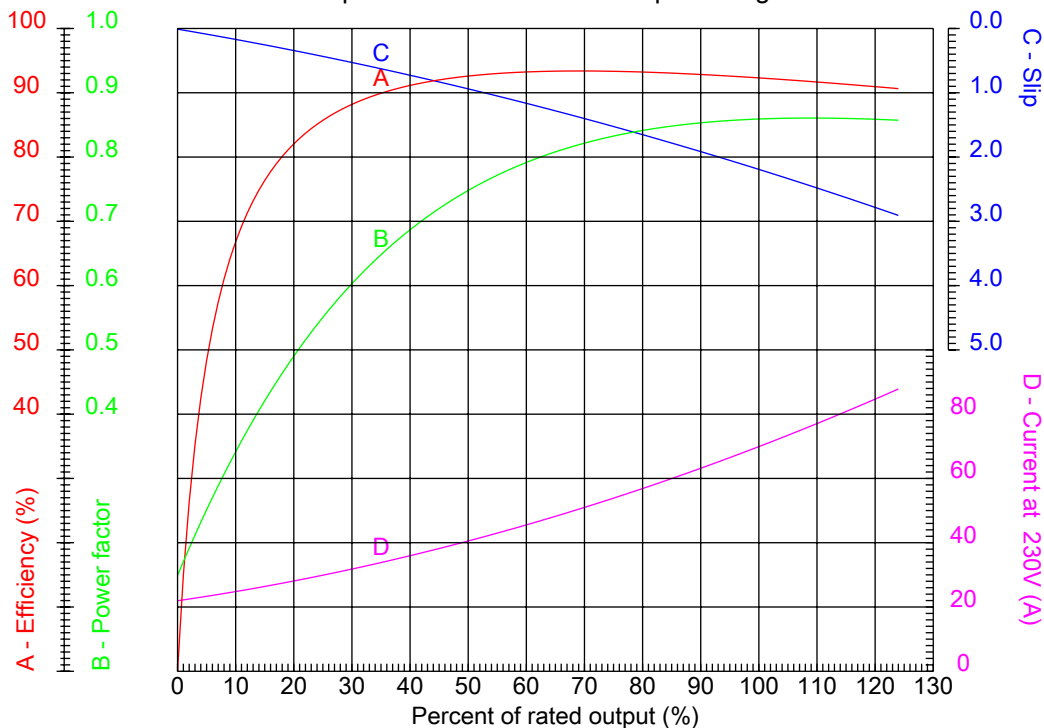


# Dealers Industrial Equipment

No.:

Date: 23-SEP-2016

## PERFORMANCE CURVES RELATED TO RATED OUTPUT Three-phase induction motor - Squirrel cage rotor



Customer :  
 Product line : P-Base Motors : High Efficiency

|                  |               |  |         |
|------------------|---------------|--|---------|
| Frame            | : 286HPH      | Locked rotor current (I <sub>l</sub> /I <sub>n</sub> ) | : 6.2   |
| Output           | : 30 HP       | Duty cycle   | : S1    |
| Frequency        | : 60 Hz       | Service factor   | : 1.25  |
| Full load speed  | : 1760 rpm    | Design   | : B     |
| Voltage          | : 230/460 V   | Locked rotor torque                                    | : 240 % |
| Rated current    | : 69.4/34.7 A | Breakdown torque                                       | : 260 % |
| Insulation class | : F           |  |         |

Notes:  
 Downloaded from <http://dealerselectric.com>  
 Generated for Model #03018EP3E286HPH

Performed by

Checked



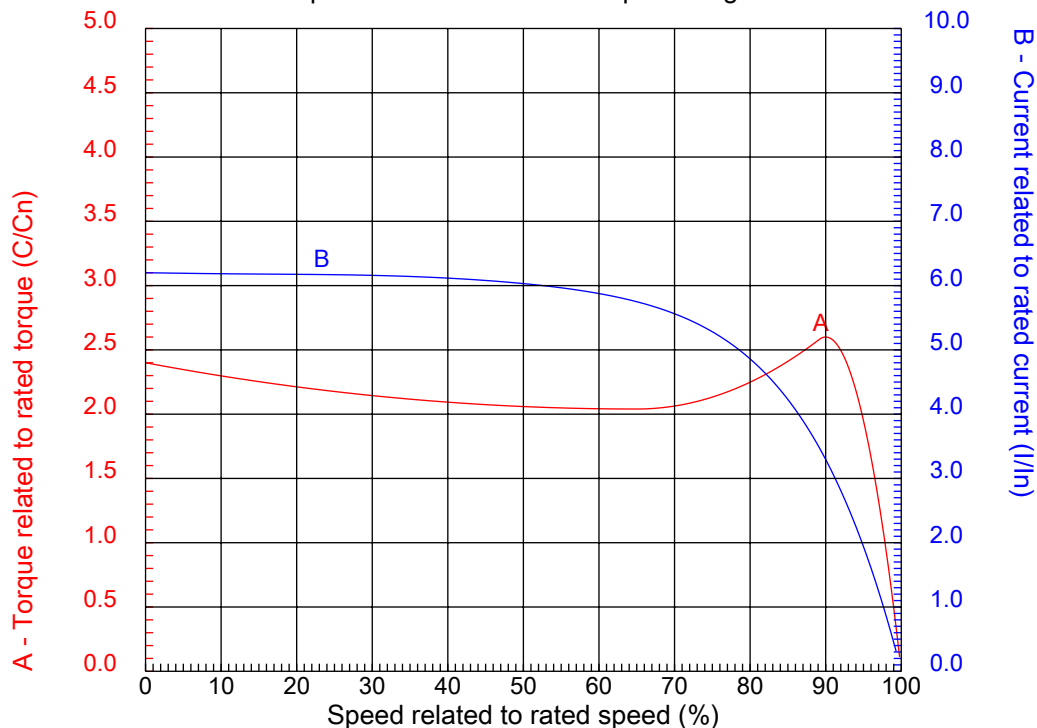
# Dealers Industrial Equipment

No.:

Date: 23-SEP-2016

## CHARACTERISTIC CURVES RELATED TO SPEED

Three-phase induction motor - Squirrel cage rotor



Customer :  
Product line : P-Base Motors : High Efficiency

|                  |               |  |         |
|------------------|---------------|--|---------|
| Frame            | : 286HPH      | Locked rotor current (I <sub>l</sub> /I <sub>n</sub> ) | : 6.2   |
| Output           | : 30 HP       | Duty cycle   | : S1    |
| Frequency        | : 60 Hz       | Service factor   | : 1.25  |
| Full load speed  | : 1760 rpm    | Design   | : B     |
| Voltage          | : 230/460 V   | Locked rotor torque                                    | : 240 % |
| Rated current    | : 69.4/34.7 A | Breakdown torque                                       | : 260 % |
| Insulation class | : F           |  |         |

Notes:  
Downloaded from <http://dealerselectric.com>  
Generated for Model #03018EP3E286HPH

Performed by

Checked

1 2 3 4 5 6 7 8

A

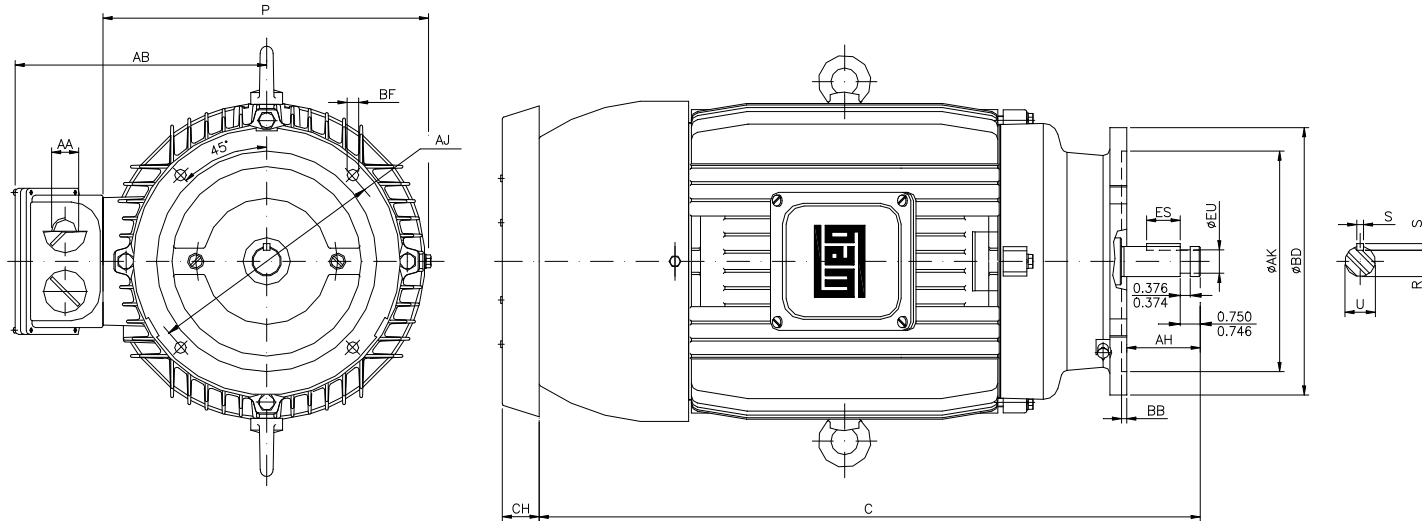
B

C

D

E

F



Notes: Downloaded from <http://dealerselectric.com>  
Generated for Model #03018EP3E286HPH

Performed by:

Checked:

Customer:

P-Base Motors : High Efficiency

|             |                  |             |              |             |
|-------------|------------------|-------------|--------------|-------------|
| ES<br>3.150 | S<br>0.375       | BB<br>0.000 | EU<br>1.250  | U<br>1.625  |
| R<br>1.415  | P<br>14.094      | AH<br>4.500 | AB<br>10.866 | C<br>29.595 |
| CH<br>2.244 | AA<br>NPT 1 1/2" |             |              |             |

Three-phase induction motor  
Frame 286HPH - IP55

23-SEP-2016

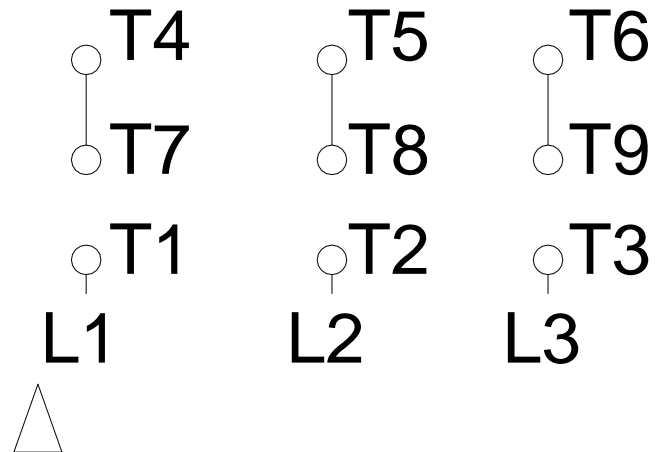
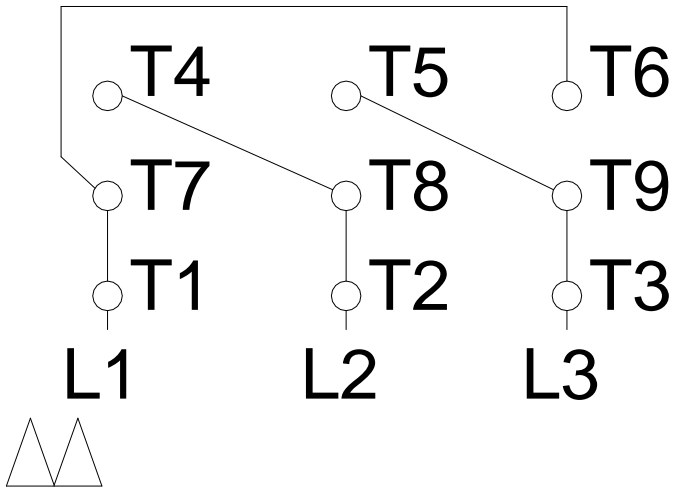


1 2 3 4 5 6 7 8

# LOW VOLTAGE

# HIGH VOLTAGE

A  
B  
C  
D  
E  
F



Notes: Downloaded from <http://dealerselectric.com>  
Generated for Model #03018EP3E286HPH

Performed by:

Checked:

Customer:

P-Base Motors : High Efficiency

Three-phase induction motor  
Frame 286HPH - IP55

23-SEP-2016

