



Dealers Industrial Equipment

No.:

Date: 23-SEP-2016

Customer :

TECHNICAL PROPOSAL

Three-phase induction motor - Squirrel cage rotor

Product line : ODP General Purpose

Catalog Number : 03012OT3E326T-G

List Price : \$4,290

Notes:

Downloaded from <http://dealerselectric.com>

Generated for Model #03012OT3E326T-G

Performed by:

Checked:



# Dealers Industrial Equipment

No.:

Date: 23-SEP-2016

## DATA SHEET Three-phase induction motor - Squirrel cage rotor

Customer :  
Product line : ODP General Purpose

Frame : 326T  
 Output : 30 HP  
 Frequency : 60 Hz  
 Poles : 6  
 Full load speed : 1180 rpm  
 Slip : 1.67 %  
 Voltage : 208-230/460 V  
 Rated current : 79.6-72.0/36.0 A  
 Locked rotor current : 446/223 A  
 Locked rotor current (I<sub>L</sub>/I<sub>n</sub>) : 6.2  
 No-load current : 30.0/15.0 A  
 Full load torque : 132 lb.ft  
 Locked rotor torque : 220 %  
 Breakdown torque : 270 %  
 Design : B  
 Insulation class : F  
 Temperature rise : 80 K  
 Locked rotor time : 17 s (hot)  
 Service factor : 1.15  
 Duty cycle : S1  
 Ambient temperature : -20°C - +40°C  
 Altitude : 1000 m  
 Degree of Protection : IP23  
 Approximate weight : 573 lb  
 Moment of inertia : 9.7905 sq.ft.lb  
 Noise level : 60 dB(A)

	D.E.	N.D.E.	Load	Power factor	Efficiency (%)
Bearings	6312 Z-C3	6212 Z-C3	100%	0.82	93.6
Regreasing interval	20000 h	20000 h	75%	0.77	93.0
Grease amount	21 g	13 g	50%	0.65	91.7

Notes:  
 Downloaded from <http://dealerselectric.com>  
 Generated for Model #03012OT3E326T-G

Performed by

Checked



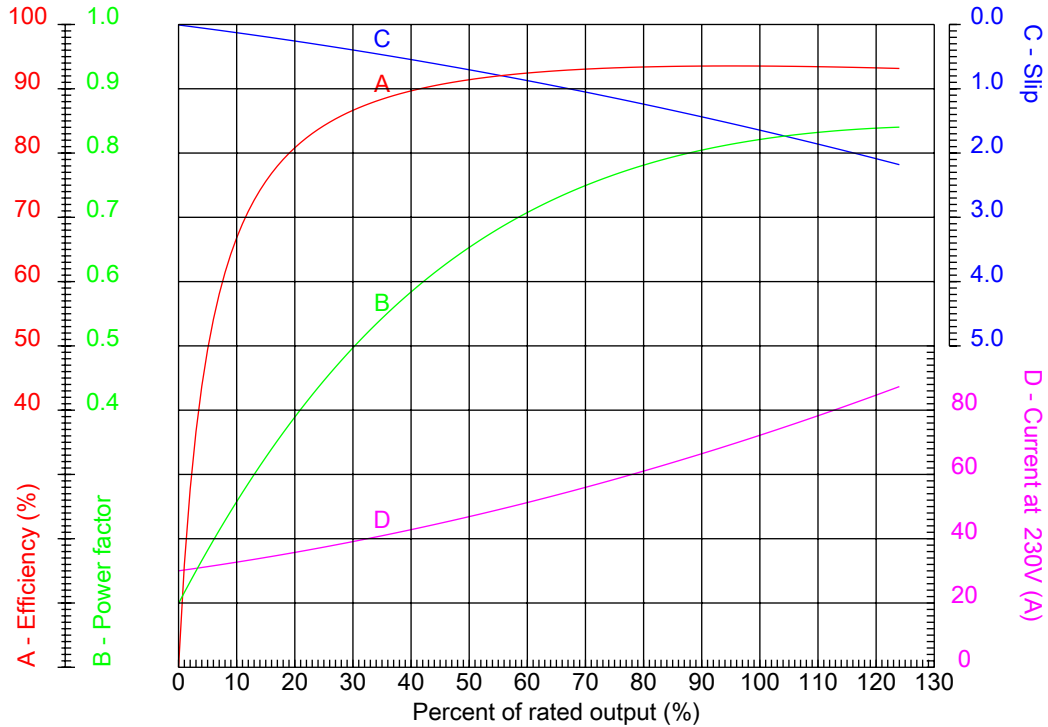
# Dealers Industrial Equipment

No.:

Date: 23-SEP-2016

## PERFORMANCE CURVES RELATED TO RATED OUTPUT

Three-phase induction motor - Squirrel cage rotor



Customer :  
Product line : ODP General Purpose

Frame : 326T	Locked rotor current (I <sub>l</sub> /I <sub>n</sub> ) : 6.2
Output : 30 HP	Duty cycle : S1
Frequency : 60 Hz	Service factor : 1.15
Full load speed : 1180 rpm	Design : B
Voltage : 208-230/460 V	Locked rotor torque : 220 %
Rated current : 79.6-72.0/36.0 A	Breakdown torque : 270 %
Insulation class : F	

Notes:  
Downloaded from <http://dealerselectric.com>  
Generated for Model #03012OT3E326T-G

Performed by

Checked



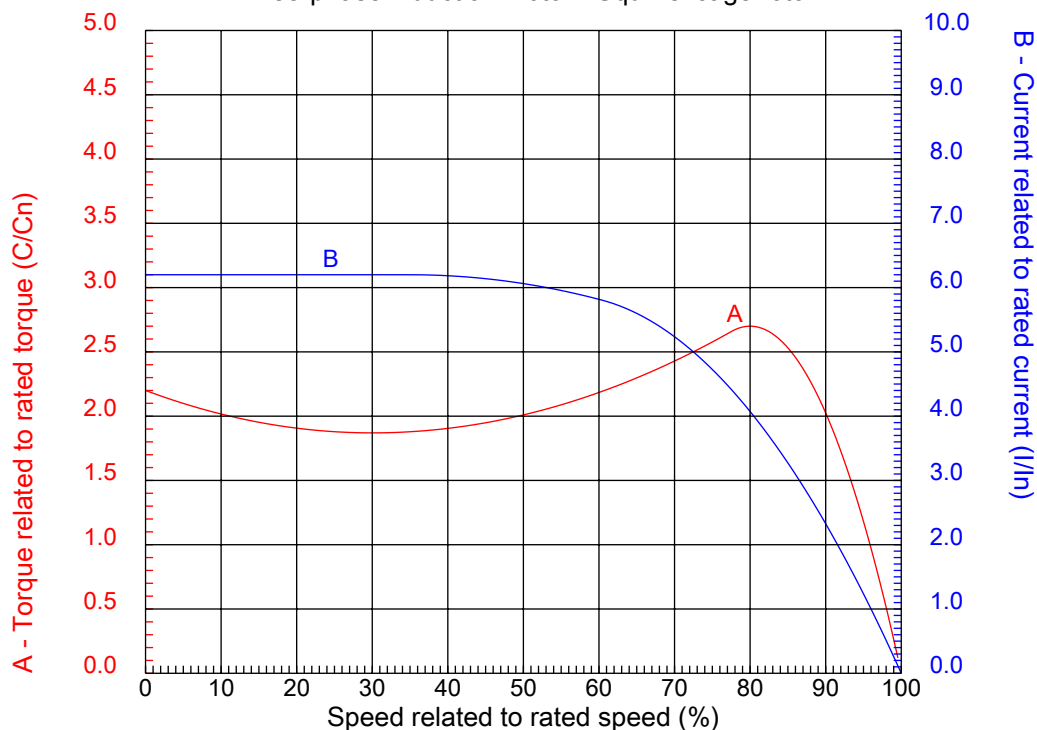
# Dealers Industrial Equipment

No.:

Date: 23-SEP-2016

## CHARACTERISTIC CURVES RELATED TO SPEED

Three-phase induction motor - Squirrel cage rotor



Customer :  
Product line : ODP General Purpose

Frame	: 326T	Locked rotor current (I <sub>l</sub> /I <sub>n</sub> )	: 6.2
Output	: 30 HP	Duty cycle	: S1
Frequency	: 60 Hz	Service factor	: 1.15
Full load speed	: 1180 rpm	Design	: B
Voltage	: 208-230/460 V	Locked rotor torque	: 220 %
Rated current	: 79.6-72.0/36.0 A	Breakdown torque	: 270 %
Insulation class	: F		

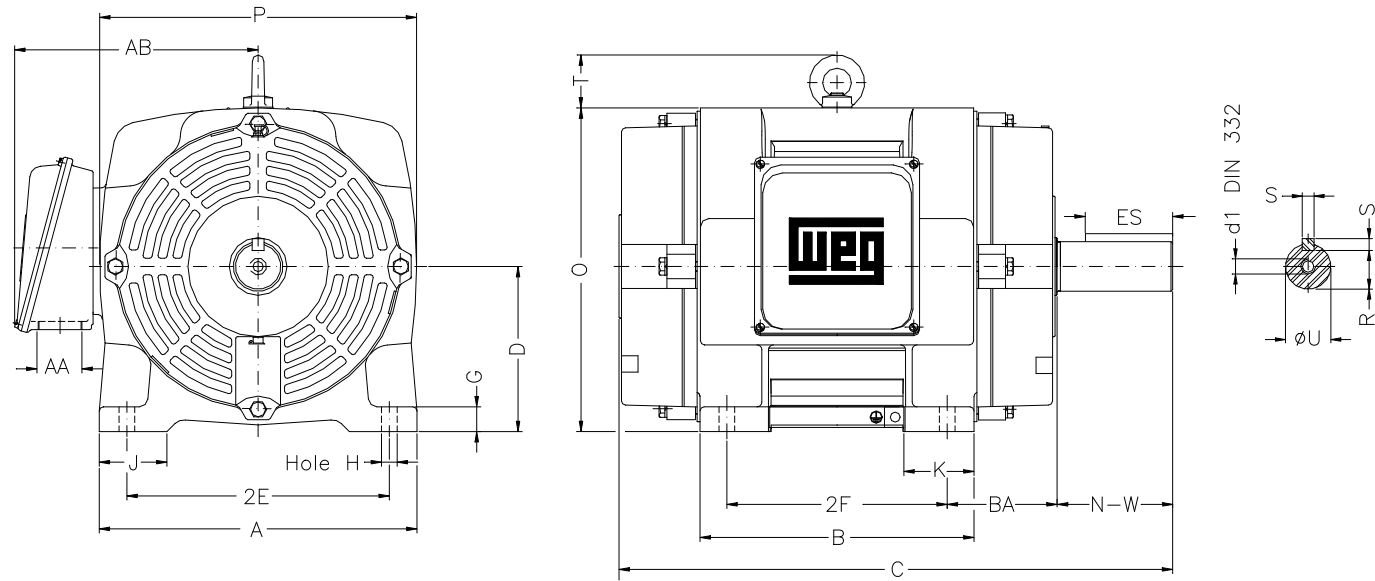
Notes:  
Downloaded from <http://dealerselectric.com>  
Generated for Model #03012OT3E326T-G

Performed by

Checked

1 2 3 4 5 6 7 8

A  
B  
C  
D  
E  
F



Notes: Downloaded from <http://dealerselectric.com>  
Generated for Model #030120T3E326T-G

Performed by:

Checked:

Customer:

ODP General Purpose

2E 12.500	A 15.160	2F 12.000	B 14.566	BA 5.250
J 3.230	K 3.350	P 15.118	ES 3.937	depth 0.500
S 0.500	D 8.000	N-W 5.250	G 1.299	U 2.125
O 15.551	T 2.559	R 1.844	H 0.656	AB 11.496
C 27.667	AA NPT 2"	d1 A 4		

Three-phase induction motor  
Frame 326T - IP23

23-SEP-2016



1 2 3 4 5 6 7 8

A  
B  
C  
D  
E  
F

LOW VOLTAGE

HIGH VOLTAGE



CONNECTIONS FOR STARTING ONLY:

LOW VOLTAGE

HIGH VOLTAGE



Notes: Downloaded from <http://dealerselectric.com>  
Generated for Model #03012OT3E326T-G

Performed by:

Checked:

Customer:

ODP General Purpose

Three-phase induction motor  
Frame 326T - IP23

23-SEP-2016

