



Dealers Industrial Equipment

No.:

Date: 23-SEP-2016

Customer :

TECHNICAL PROPOSAL

Three-phase induction motor - Squirrel cage rotor

Product line : Three-Phase: W22 IE3 IEC Tru-Metric - TEFC (IP55) Cast Iron Frame

Catalog Number : 03012ET3Y225S/M-W22

List Price : \$7,689

Notes:

Downloaded from <http://dealerselectric.com>

Generated for Model #03012ET3Y225S/M-W22

Performed by:

Checked:



# Dealers Industrial Equipment

No.:

Date: 23-SEP-2016

## DATA SHEET

### Three-phase induction motor - Squirrel cage rotor

Customer :  
 Product line : Three-Phase: W22 IE3 IEC Tru-Metric - TEFC (IP55) Cast Iron Frame

Frame : 225S/M  
 Output : 40 HP  
 Frequency : 60 Hz  
 Poles : 6  
 Full load speed : 1185 rpm  
 Slip : 1.25 %  
 Voltage : 460 V  
 Rated current : 47.6 A  
 Locked rotor current : 367 A  
 Locked rotor current (I<sub>L</sub>/I<sub>n</sub>) : 7.7  
 No-load current : 20.9 A  
 Full load torque : 175 lb.ft  
 Locked rotor torque : 270 %  
 Breakdown torque : 330 %  
 Design : ---  
 Insulation class : F  
 Temperature rise : 80 K  
 Locked rotor time : 30 s (hot)  
 Service factor : 1.25  
 Duty cycle : S1  
 Ambient temperature : -20°C - +40°C  
 Altitude : 1000 m  
 Degree of Protection : IP55  
 Approximate weight : 884 lb  
 Moment of inertia : 30.565 sq.ft.lb  
 Noise level : 66 dB(A)

|                     | D.E.    | N.D.E.  |
|---------------------|---------|---------|
| Bearings            | 6314 C3 | 6314 C3 |
| Regreasing interval | 17000 h | 17000 h |
| Grease amount       | 27 g    | 27 g    |

| Load | Power factor | Efficiency (%) |
|------|--------------|----------------|
| 100% | 0.84         | 94.1           |
| 75%  | 0.78         | 94.1           |
| 50%  | 0.67         | 93.0           |

Notes:  
 Downloaded from <http://dealerselectric.com>  
 Generated for Model #03012ET3Y225S/M-W22

Performed by

Checked



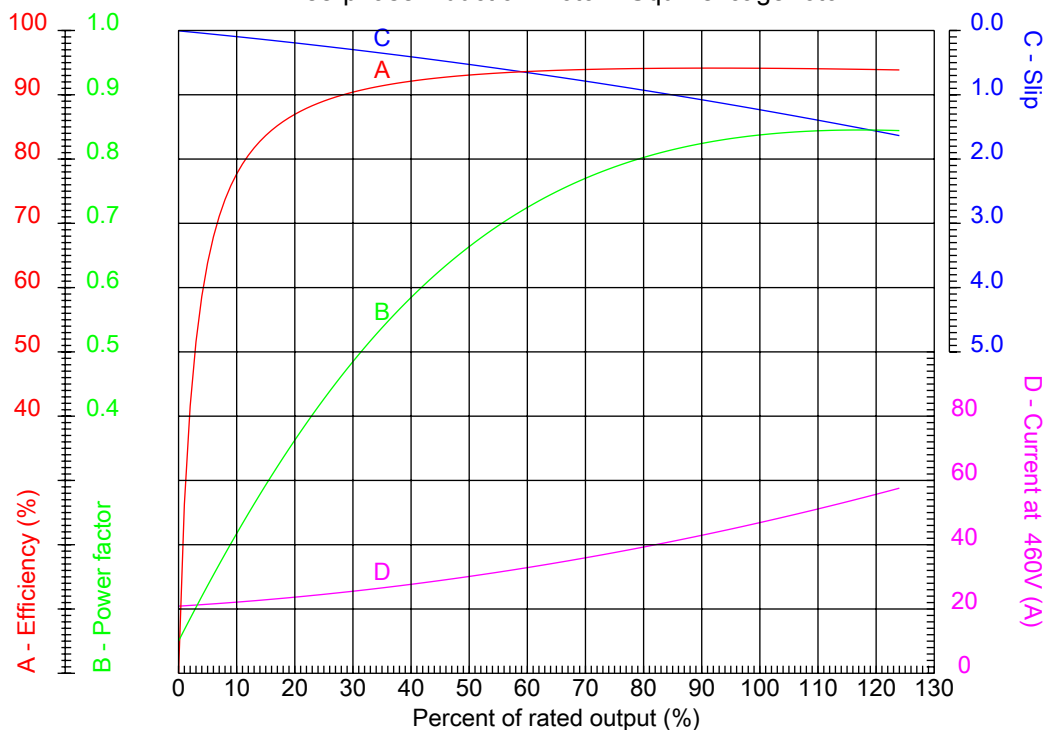
# Dealers Industrial Equipment

No.:

Date: 23-SEP-2016

## PERFORMANCE CURVES RELATED TO RATED OUTPUT

Three-phase induction motor - Squirrel cage rotor



Customer :  
Product line : Three-Phase: W22 IE3 IEC Tru-Metric - TEFC (IP55) Cast Iron Frame

|                  |            |  |         |
|------------------|------------|--|---------|
| Frame            | : 225S/M   | Locked rotor current (I <sub>l</sub> /I <sub>n</sub> ) | : 7.7   |
| Output           | : 40 HP    | Duty cycle   | : S1    |
| Frequency        | : 60 Hz    | Service factor   | : 1.25  |
| Full load speed  | : 1185 rpm | Design   | : ---   |
| Voltage          | : 460 V    | Locked rotor torque                                    | : 270 % |
| Rated current    | : 47.6 A   | Breakdown torque                                       | : 330 % |
| Insulation class | : F        |  |         |

Notes:  
Downloaded from <http://dealerselectric.com>  
Generated for Model #03012ET3Y225S/M-W22

Performed by

Checked



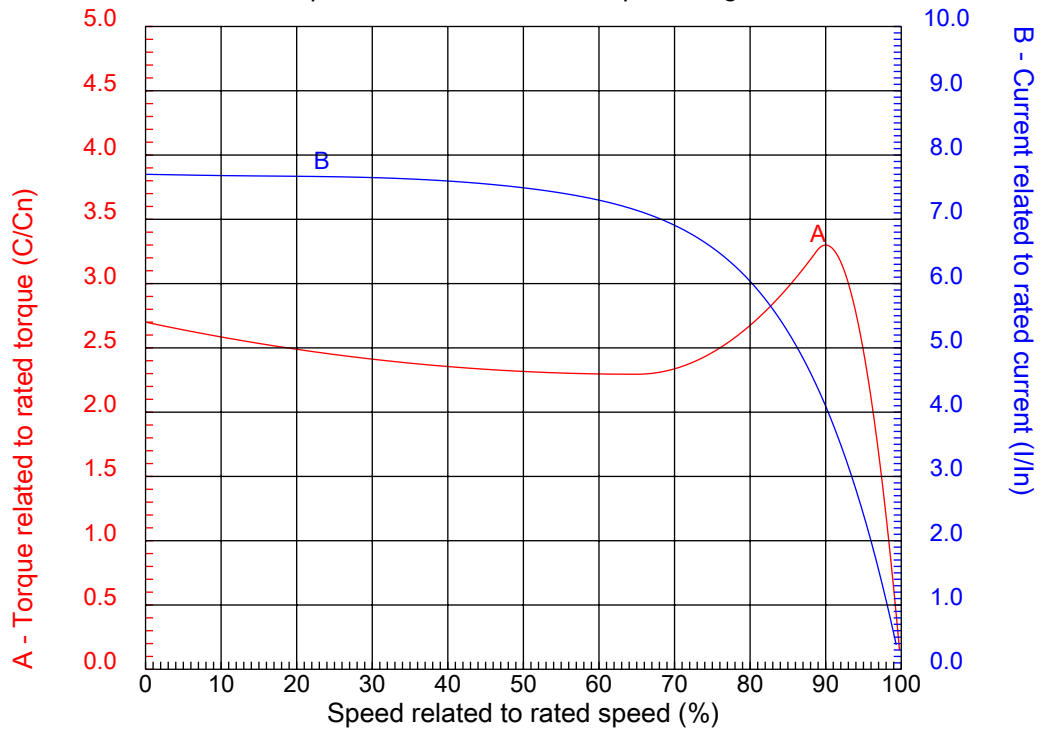
# Dealers Industrial Equipment

No.:

Date: 23-SEP-2016

## CHARACTERISTIC CURVES RELATED TO SPEED

Three-phase induction motor - Squirrel cage rotor



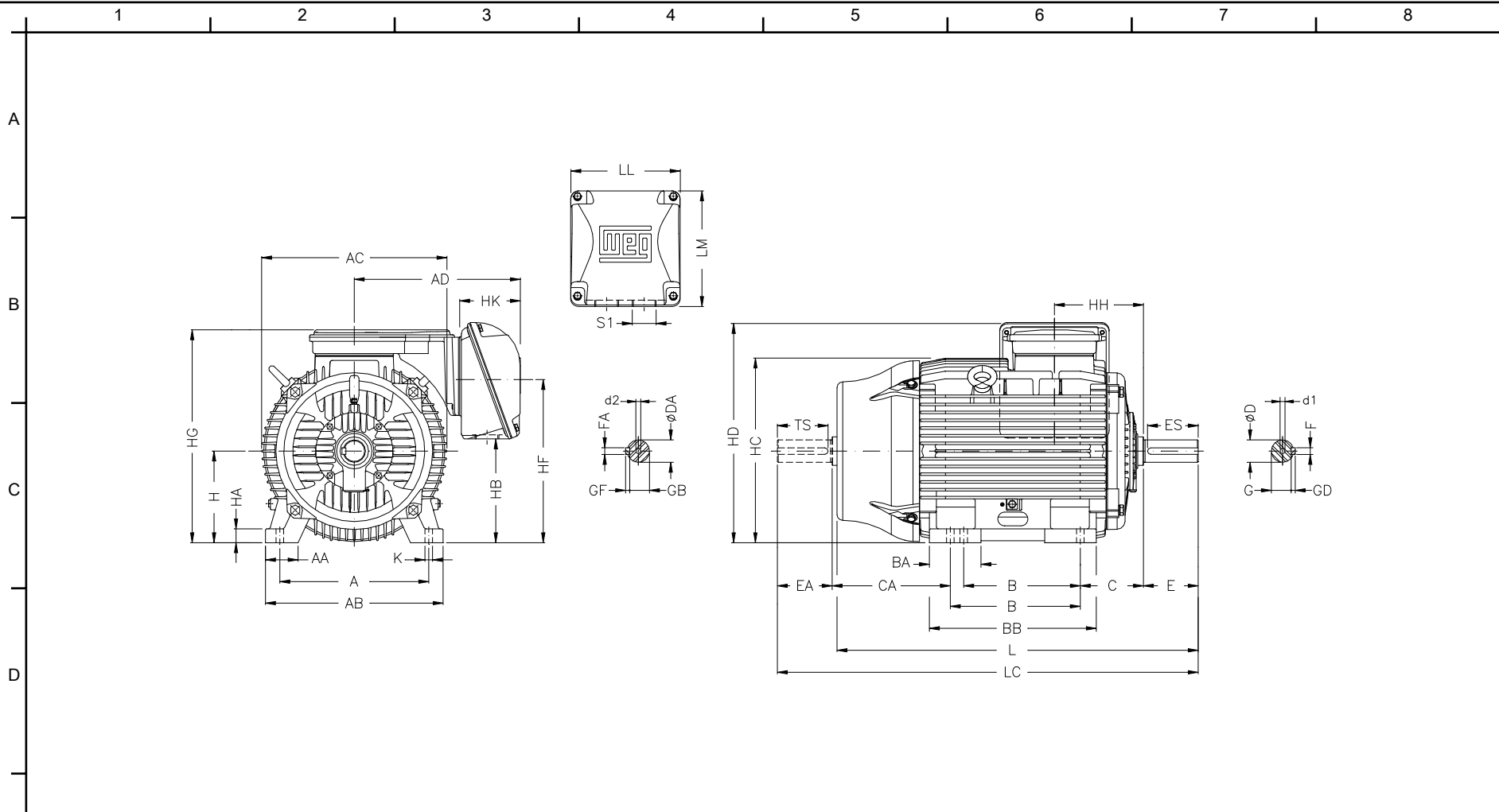
Customer :  
Product line : Three-Phase: W22 IE3 IEC Tru-Metric - TEFC (IP55) Cast Iron Frame

|                  |            |  |         |
|------------------|------------|--|---------|
| Frame            | : 225S/M   | Locked rotor current (I <sub>l</sub> /I <sub>n</sub> ) | : 7.7   |
| Output           | : 40 HP    | Duty cycle   | : S1    |
| Frequency        | : 60 Hz    | Service factor   | : 1.25  |
| Full load speed  | : 1185 rpm | Design   | : ---   |
| Voltage          | : 460 V    | Locked rotor torque                                    | : 270 % |
| Rated current    | : 47.6 A   | Breakdown torque                                       | : 330 % |
| Insulation class | : F        |  |         |

Notes:  
Downloaded from <http://dealerselectric.com>  
Generated for Model #03012ET3Y225S/M-W22

Performed by

Checked



Notes: Downloaded from <http://dealerselectric.com>  
 Generated for Model #03012ET3Y225S/M-W22

|         |      |     |      |           |
|---------|------|-----|------|-----------|
| A       | AA   | AB  | AC   | AD        |
| 356     | 80   | 436 | 455  | 410       |
| B       | BA   | BB  | C    | CA        |
| 286/311 | 124  | 412 | 149  | 319/294   |
| D       | E    | ES  | F    | G         |
| 60m6    | 140  | 125 | 18   | 53        |
| GD      | DA   | EA  | TS   | FA        |
| 11      | 60m6 | 140 | 125  | 18        |
| GB      | GF   | H   | HA   | HC        |
| 53      | 11   | 225 | 34   | 453       |
| HD      | K    | L   | LC   | S1        |
| 541     | 18,5 | 886 | 1034 | 2xM50x1,5 |
| d1      | d2   |     |      |           |
| DM20    | DM20 |     |      |           |

Performed by:


Checked:

Customer:

Three-Phase: W22 IE3 IEC Tru-Metric - TEFC (IP55) Cast Iron Frame

Three-phase induction motor  
 Frame 225S/M - IP55

23-SEP-2016

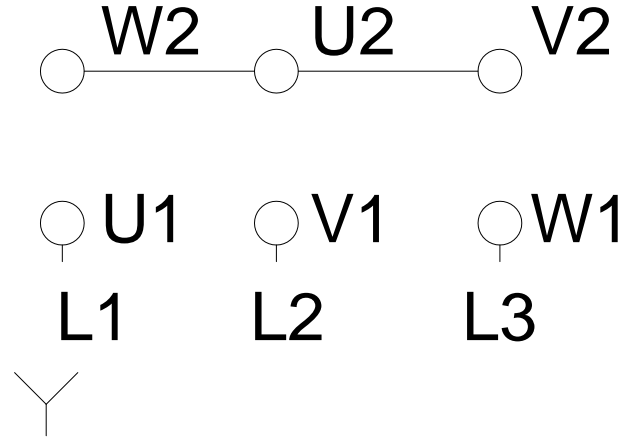
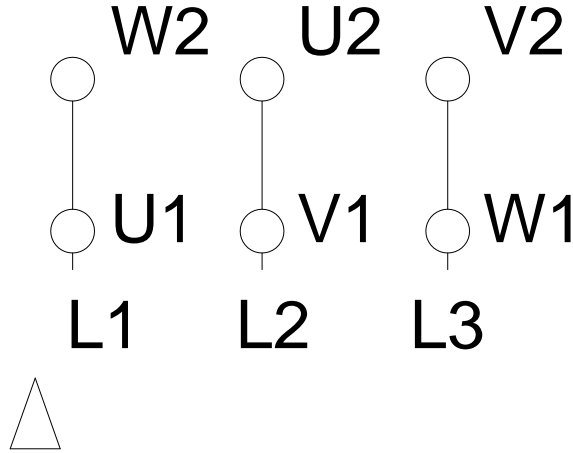


1 2 3 4 5 6 7 8

# LOW VOLTAGE

# HIGH VOLTAGE

A  
B  
C  
D  
E  
F



|  |             |  |
|--|-------------|--|
| Notes: Downloaded from <a href="http://dealerselectric.com">http://dealerselectric.com</a><br>Generated for Model #03012ET3Y225S/M-W22 |             |  |
| Performed by:  |             |  |
| Checked:   |             |  |
| Customer:  |             |  |
| Three-Phase: W22 IE3 IEC Tru-Metric - TEFC (IP55) Cast Iron Frame  |             |  |
| Three-phase induction motor<br>Frame 225S/M - IP55   | 23-SEP-2016 |  |