



Dealers Industrial Equipment

No.:

Date: 23-SEP-2016

Customer :

TECHNICAL PROPOSAL

Three-phase induction motor - Squirrel cage rotor

Product line : Oil Well Pumping : High Slip - NEMA Design "D" - TEFC (IP55)

Catalog Number : 03012ES3EOW326T

List Price : \$4,515

Notes:

Downloaded from <http://dealerselectric.com>

Generated for Model #03012ES3EOW326T

Performed by:

Checked:



Dealers Industrial Equipment

No.:

Date: 23-SEP-2016

DATA SHEET

Three-phase induction motor - Squirrel cage rotor

Customer :
 Product line : Oil Well Pumping : High Slip - NEMA Design "D" - TEFC (IP55)

Frame : 326T
 Output : 30 HP
 Frequency : 60 Hz
 Poles : 6
 Full load speed : 1135 rpm
 Slip : 5.42 %
 Voltage : 208-230/460 V
 Rated current : 78.5-71.0/35.5 A
 Locked rotor current : 483/241 A
 Locked rotor current (I_L/I_n) : 6.8
 No-load current : 23.0/11.5 A
 Full load torque : 137 lb.ft
 Locked rotor torque : 320 %
 Breakdown torque : 0 %
 Design : D
 Insulation class : F
 Temperature rise : 80 K
 Locked rotor time : 12 s (hot)
 Service factor : 1.15
 Duty cycle : S1
 Ambient temperature : -20°C - +40°C
 Altitude : 1000 m
 Degree of Protection : IP55
 Approximate weight : 580 lb
 Moment of inertia : 11.919 sq.ft.lb
 Noise level : 62 dB(A)

	D.E.	N.D.E.
Bearings	6312 C3	6212 C3
Regreasing interval	20000 h	20000 h
Grease amount	21 g	13 g

Load	Power factor	Efficiency (%)
100%	0.87	89.4
75%	0.83	89.0
50%	0.76	85.6

Notes:
 Downloaded from <http://dealerselectric.com>
 Generated for Model #03012ES3EOW326T

Performed by

Checked



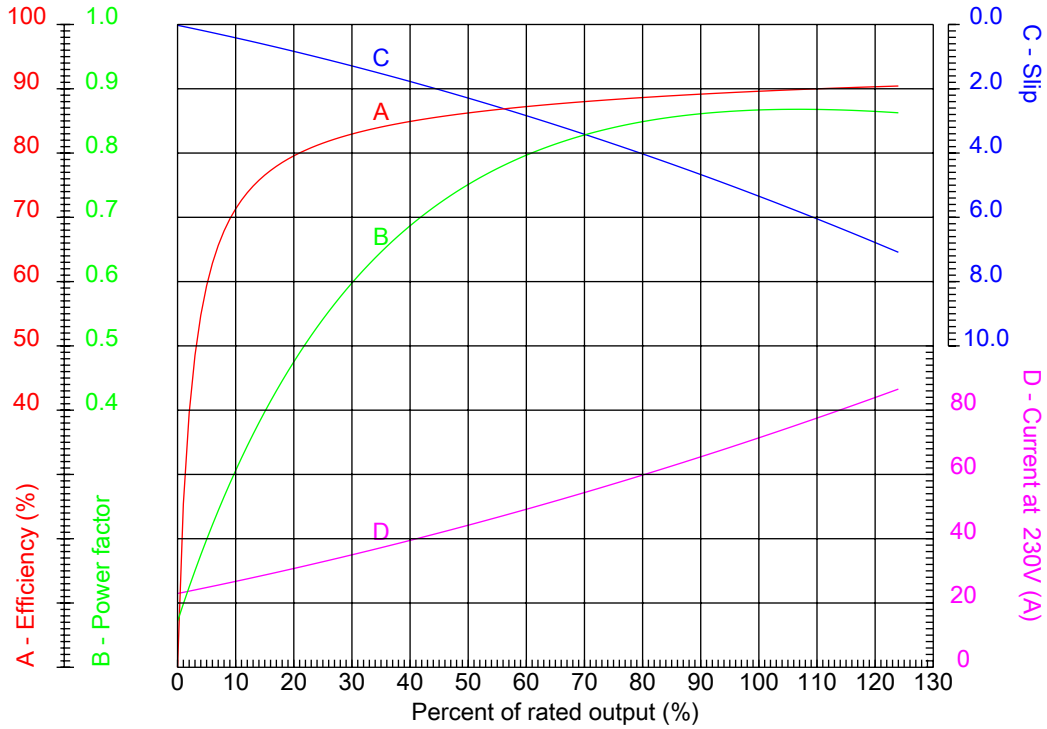
Dealers Industrial Equipment

No.:

Date: 23-SEP-2016

PERFORMANCE CURVES RELATED TO RATED OUTPUT

Three-phase induction motor - Squirrel cage rotor



Customer :
 Product line : Oil Well Pumping : High Slip - NEMA Design "D" - TEFC (IP55)

Frame	: 326T	Locked rotor current (I _l /I _n)	: 6.8
Output	: 30 HP	Duty cycle	: S1
Frequency	: 60 Hz	Service factor	: 1.15
Full load speed	: 1135 rpm	Design	: D
Voltage	: 208-230/460 V	Locked rotor torque	: 320 %
Rated current	: 78.5-71.0/35.5 A	Breakdown torque	: 0 %
Insulation class	: F		

Notes:
 Downloaded from <http://dealerselectric.com>
 Generated for Model #03012ES3EOW326T

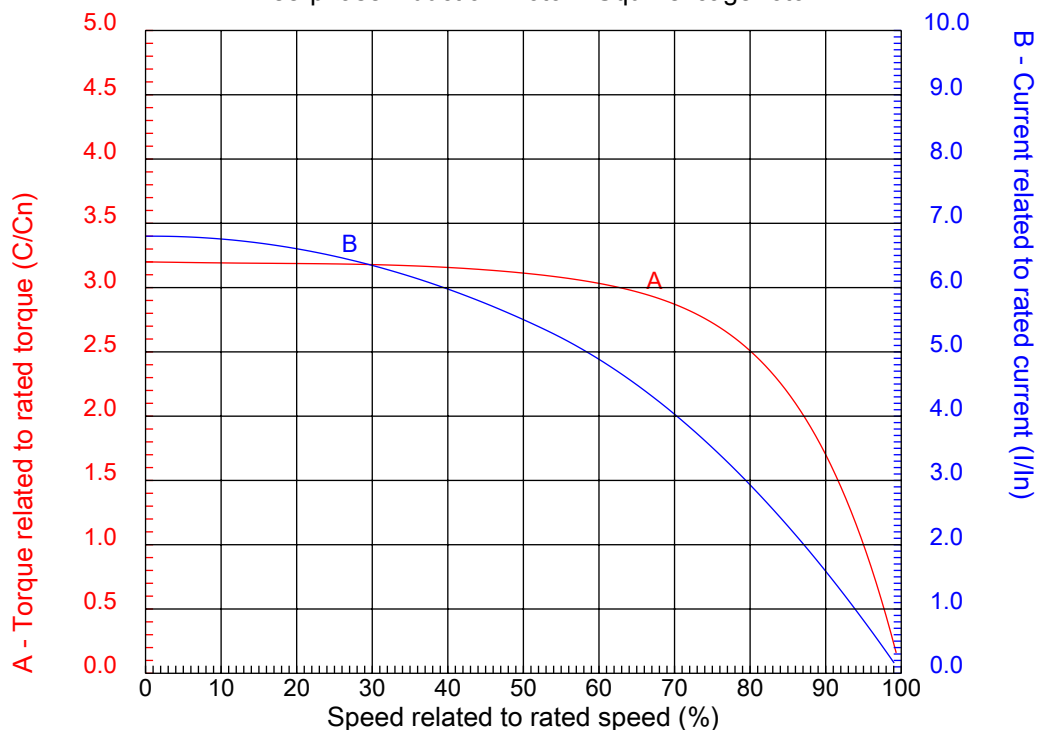
Performed by

Checked



CHARACTERISTIC CURVES RELATED TO SPEED

Three-phase induction motor - Squirrel cage rotor



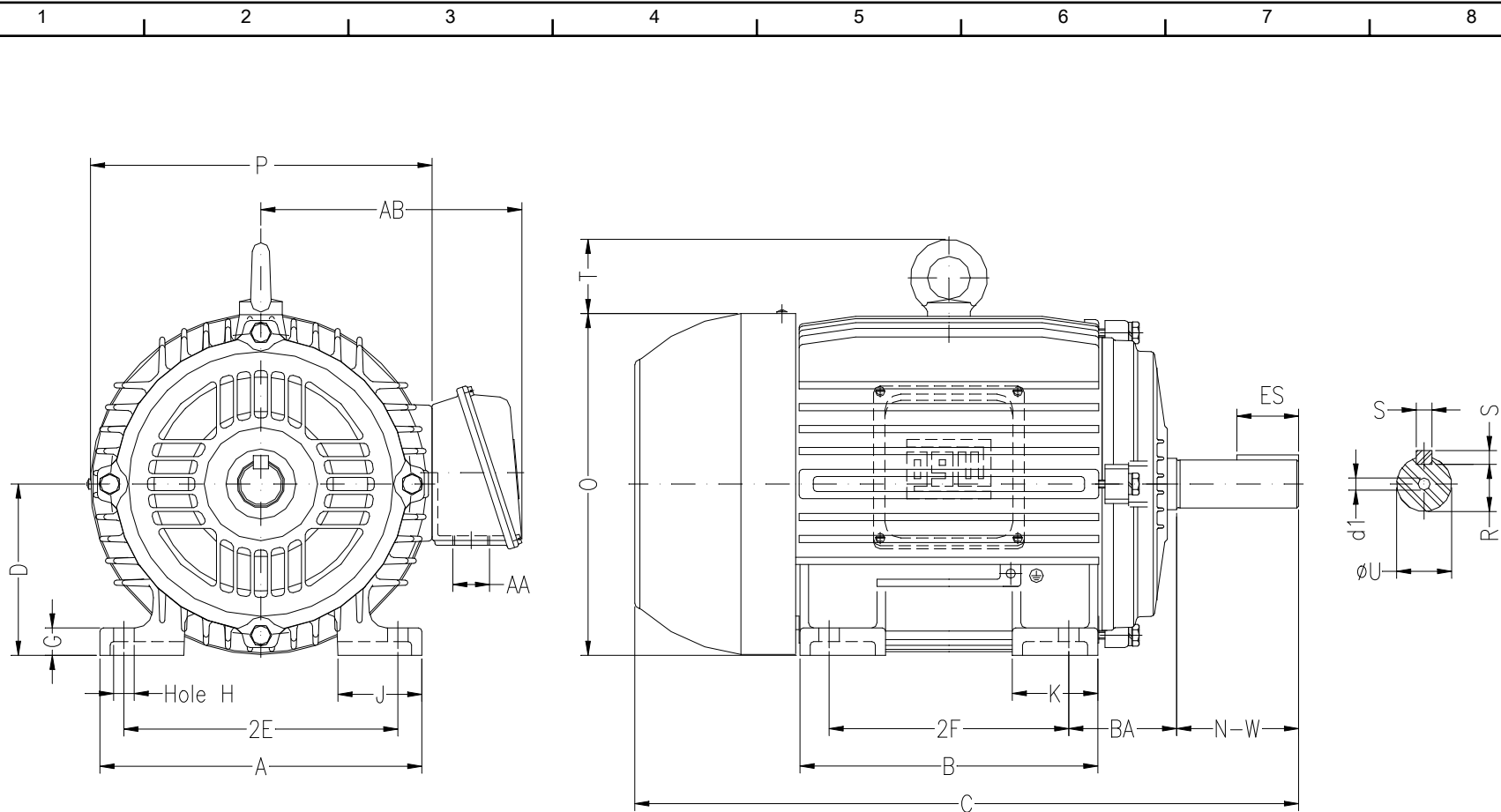
Customer :
Product line : Oil Well Pumping : High Slip - NEMA Design "D" - TEFC (IP55)

Frame	: 326T	Locked rotor current (I _l /I _n)	: 6.8
Output	: 30 HP	Duty cycle	: S1
Frequency	: 60 Hz	Service factor	: 1.15
Full load speed	: 1135 rpm	Design	: D
Voltage	: 208-230/460 V	Locked rotor torque	: 320 %
Rated current	: 78.5-71.0/35.5 A	Breakdown torque	: 272 %
Insulation class	: F		

Notes:
Downloaded from <http://dealerselectric.com>
Generated for Model #03012ES3EOW326T

Performed by

Checked



Notes: Downloaded from <http://dealerselectric.com>
 Generated for Model #03012ES3EOW326T

Performed by:

Checked:

Customer:

Oil Well Pumping : High Slip - NEMA Design "D" - TEFC (IP55)

Three-phase induction motor
 Frame 326T - IP55

23-SEP-2016



2E 12.500	A 15.157	2F 12.000	B 14.567	BA 5.250
J 3.228	K 3.346	P 15.591	ES 3.937	depth 0.500
S 0.500	N-W 5.250	U 2.125	R 1.844	AB 11.496
D 8.000	G 1.307	O 15.953	T 2.441	H 0.657
C 31.116	AA NPT 2"	d1 A 4	d2 A 4	

1 2 3 4 5 6 7 8

A
B
C
D
E
F

LOW VOLTAGE

HIGH VOLTAGE



CONNECTIONS FOR STARTING ONLY:

LOW VOLTAGE

HIGH VOLTAGE



Notes: Downloaded from <http://dealerselectric.com>
Generated for Model #03012ES3EOW326T

Performed by:

Checked:

Customer:

Oil Well Pumping : High Slip - NEMA Design "D" - TEFC (IP55)

Three-phase induction motor
Frame 326T - IP55

23-SEP-2016

