



Dealers Industrial Equipment

No.:

Date: 23-SEP-2016

Customer :

TECHNICAL PROPOSAL

Three-phase induction motor - Squirrel cage rotor

Product line : W22 Cooling Tower Motors: NEMA Premium - TEAO

Catalog Number : 03012AT3PCT326TF1-W2

List Price : \$6,246

Notes:

Downloaded from <http://dealerselectric.com>

Generated for Model #03012AT3PCT326TF1-W2

Performed by:

Checked:



Dealers Industrial Equipment

No.:

Date: 23-SEP-2016

DATA SHEET Three-phase induction motor - Squirrel cage rotor

Customer :
Product line : W22 Cooling Tower Motors: NEMA Premium - TEAO

Frame : 326T
Output : 30 HP
Frequency : 60 Hz
Poles : 6
Full load speed : 1180 rpm
Slip : 1.67 %
Voltage : 200 V
Rated current : 83.3 A
Locked rotor current : 516 A
Locked rotor current (I_L/I_n) : 6.2
No-load current : 36.8 A
Full load torque : 132 lb.ft
Locked rotor torque : 230 %
Breakdown torque : 260 %
Design : B
Insulation class : F
Temperature rise : 80 K
Locked rotor time : 21 s (hot)
Service factor : 1.25
Duty cycle : S1
Ambient temperature : -20°C - +40°C
Altitude : 1000 m
Degree of Protection : IP55
Approximate weight : 628 lb
Moment of inertia : 13.196 sq.ft.lb
Noise level : 62 dB(A)

	D.E.	N.D.E.
Bearings	6312 2RS-C3	6212 2RS-C3
Regreasing interval	---	---
Grease amount	---	---

Load	Power factor	Efficiency (%)
100%	0.82	93.0
75%	0.76	93.0
50%	0.65	91.7

Notes:
Downloaded from <http://dealerselectric.com>
Generated for Model #03012AT3PCT326TF1-W2

Performed by

Checked



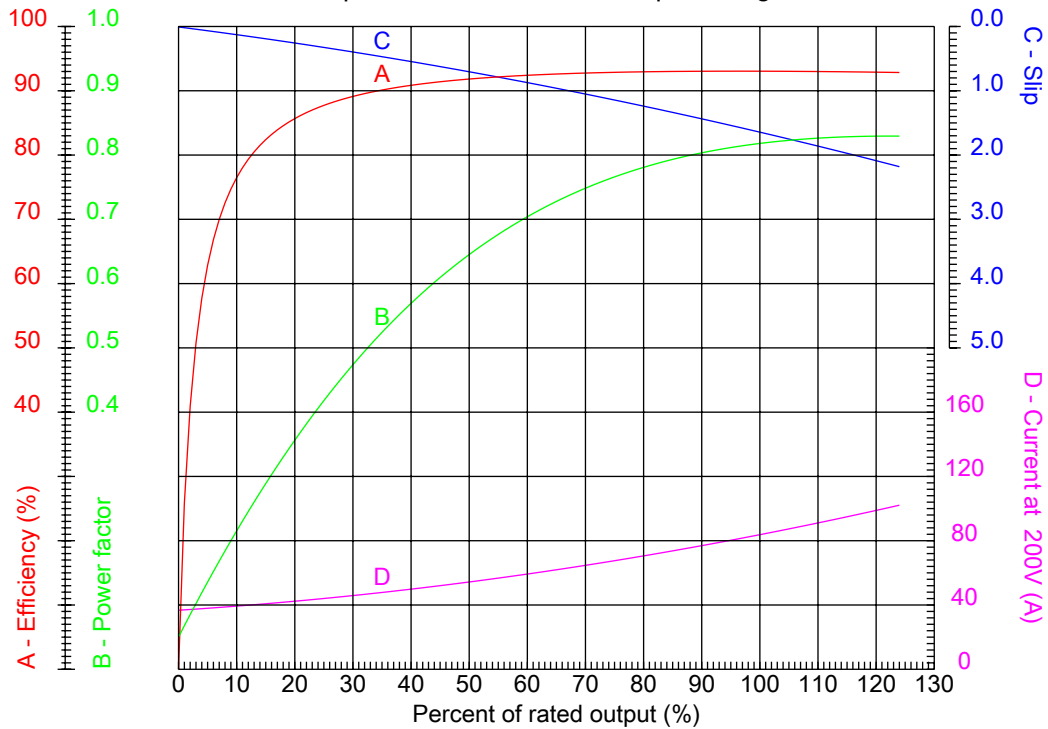
Dealers Industrial Equipment

No.:

Date: 23-SEP-2016

PERFORMANCE CURVES RELATED TO RATED OUTPUT

Three-phase induction motor - Squirrel cage rotor



Customer :
Product line : W22 Cooling Tower Motors: NEMA Premium - TEAO

Frame : 326T	Locked rotor current (I _L /I _n) : 6.2
Output : 30 HP	Duty cycle : S1
Frequency : 60 Hz	Service factor : 1.25
Full load speed : 1180 rpm	Design : B
Voltage : 200 V	Locked rotor torque : 230 %
Rated current : 83.3 A	Breakdown torque : 260 %
Insulation class : F	

Notes:
Downloaded from <http://dealerselectric.com>
Generated for Model #03012AT3PCT326TF1-W2

Performed by

Checked



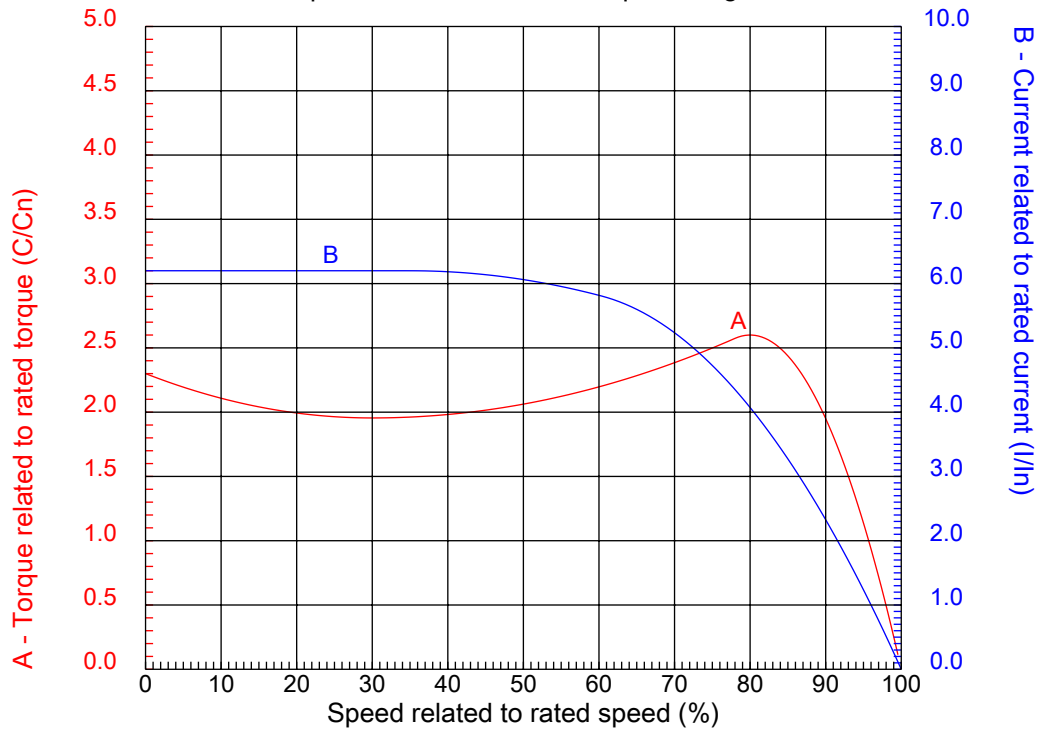
Dealers Industrial Equipment

No.:

Date: 23-SEP-2016

CHARACTERISTIC CURVES RELATED TO SPEED

Three-phase induction motor - Squirrel cage rotor



Customer :
Product line : W22 Cooling Tower Motors: NEMA Premium - TEAO

Frame	: 326T	Locked rotor current (I _l /I _n)	: 6.2
Output	: 30 HP	Duty cycle	: S1
Frequency	: 60 Hz	Service factor	: 1.25
Full load speed	: 1180 rpm	Design	: B
Voltage	: 200 V	Locked rotor torque	: 230 %
Rated current	: 83.3 A	Breakdown torque	: 260 %
Insulation class	: F		

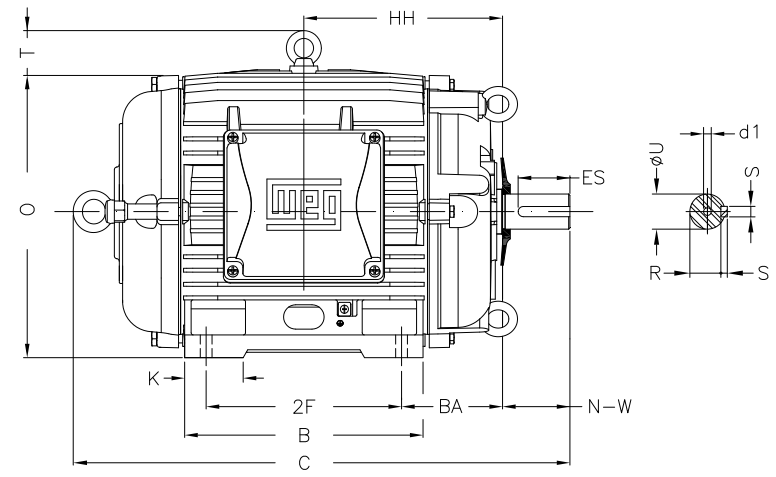
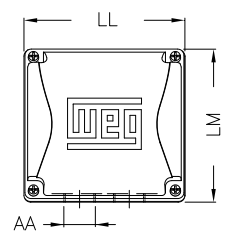
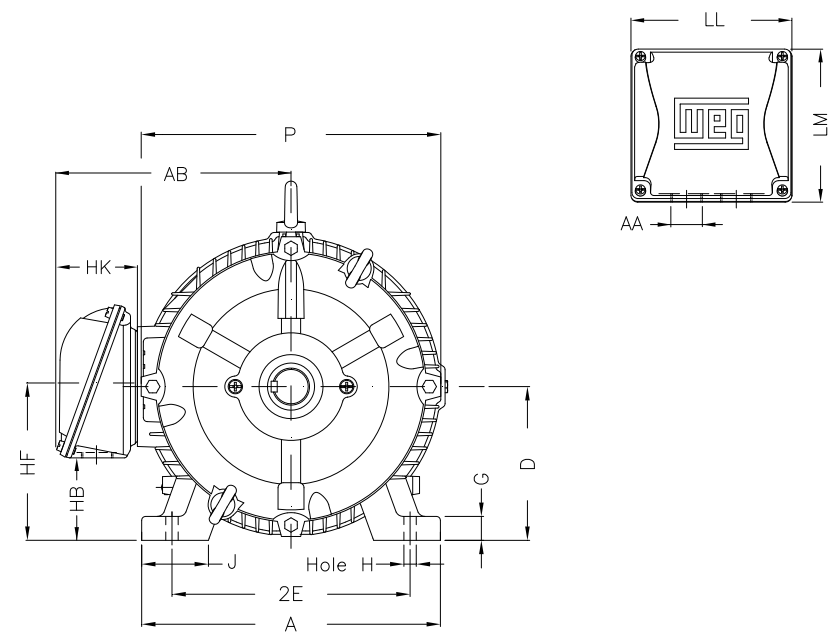
Notes:
Downloaded from <http://dealerselectric.com>
Generated for Model #03012AT3PCT326TF1-W2

Performed by

Checked

1 2 3 4 5 6 7 8

A
B
C
D
E
F



Notes: Downloaded from <http://dealerselectric.com>
Generated for Model #03012AT3PCT326TF1-W2

Performed by:

Checked:

Customer:

W22 Cooling Tower Motors: NEMA Premium - TEAO

2E	J	A	P	AB
12.500	3.189	15.157	14.961	12.575
2F	K	B	BA	U
12.000	4.055	14.567	5.250	2.125
N-W	ES	S	R	depth
5.250	3.937	0.500	1.844	0.500
D	G	HB	O	T
8.000	1.300	4.811	15.953	2.441
HF	HH	HK	H	C
8.708	11.250	4.705	0.657	30.071
LL	LM	AA	d1	
9.055	8.661	NPT 2"	A 4	

Three-phase induction motor
Frame 326T - IP55

23-SEP-2016

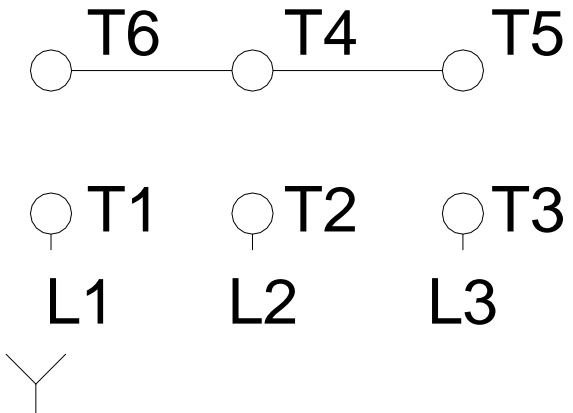
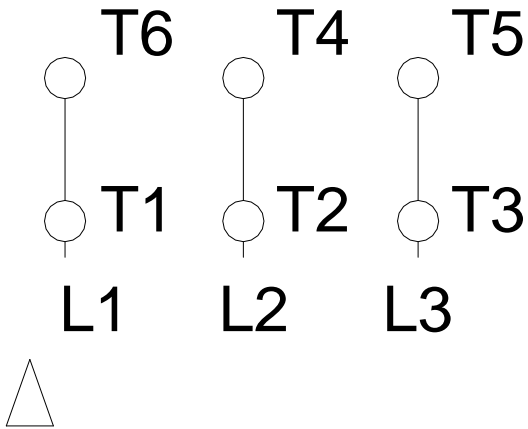


1 2 3 4 5 6 7 8

A
B
C
D
E
F

LOW VOLTAGE

HIGH VOLTAGE



Notes: Downloaded from <http://dealerselectric.com>
 Generated for Model #03012AT3PCT326TF1-W2

Performed by:

Checked:

Customer:

W22 Cooling Tower Motors: NEMA Premium - TEAO

Three-phase induction motor
 Frame 326T - IP55

23-SEP-2016

