



Dealers Industrial Equipment

No.:

Date: 23-SEP-2016

Customer :

TECHNICAL PROPOSAL

Three-phase induction motor - Squirrel cage rotor

Product line : Close Coupled Pump : Three-Phase - "JM" Type - ODP - NEMA Premium

Catalog Number : 02536OT3E256JM

List Price : \$2,598

Notes:

Downloaded from <http://dealerselectric.com>

Generated for Model #02536OT3E256JM

Performed by:

Checked:



# Dealers Industrial Equipment

No.:

Date: 23-SEP-2016

## DATA SHEET Three-phase induction motor - Squirrel cage rotor

Customer :  
 Product line : Close Coupled Pump : Three-Phase - "JM" Type - ODP - NEMA Premium

Frame : 256JM  
 Output : 25 HP  
 Frequency : 60 Hz  
 Poles : 2  
 Full load speed : 3530 rpm  
 Slip : 1.94 %  
 Voltage : 208-230/460 V  
 Rated current : 65.9-59.6/29.8 A  
 Locked rotor current : 387/194 A  
 Locked rotor current (I<sub>L</sub>/I<sub>n</sub>) : 6.5  
 No-load current : 22.0/11.0 A  
 Full load torque : 36.7 lb.ft  
 Locked rotor torque : 200 %  
 Breakdown torque : 260 %  
 Design : B  
 Insulation class : F  
 Temperature rise : 80 K  
 Locked rotor time : 9 s (hot)  
 Service factor : 1.15  
 Duty cycle : S1  
 Ambient temperature : -20°C - +40°C  
 Altitude : 1000 m  
 Degree of Protection : IP23  
 Approximate weight : 243 lb  
 Moment of inertia : 1.0819 sq.ft.lb  
 Noise level : 67 dB(A)

	D.E.	N.D.E.
Bearings	6309 Z-C3	6209 Z-C3
Regreasing interval	20000 h	20000 h
Grease amount	13 g	9 g

Load	Power factor	Efficiency (%)
100%	0.85	91.7
75%	0.82	91.7
50%	0.73	91.0

Notes:  
 Downloaded from <http://dealerselectric.com>  
 Generated for Model #02536OT3E256JM

Performed by

Checked



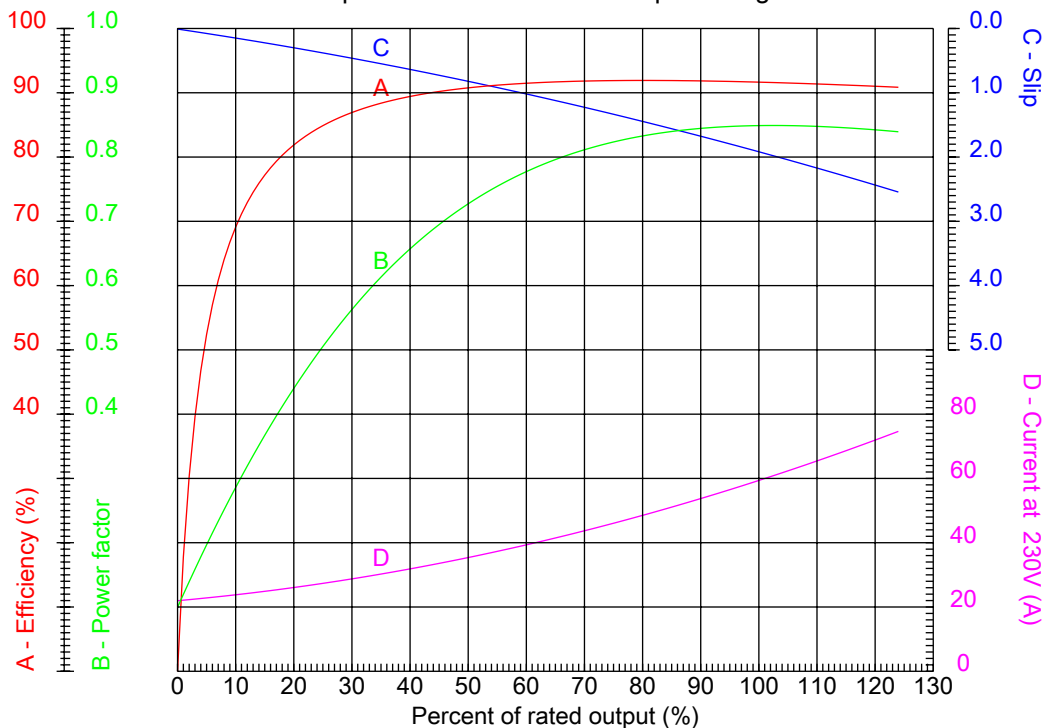
# Dealers Industrial Equipment

No.:

Date: 23-SEP-2016

## PERFORMANCE CURVES RELATED TO RATED OUTPUT

Three-phase induction motor - Squirrel cage rotor



Customer :  
Product line : Close Coupled Pump : Three-Phase - "JM" Type - ODP - NEMA Premium

Frame	: 256JM	Locked rotor current (I <sub>l</sub> /I <sub>n</sub> )	: 6.5
Output	: 25 HP	Duty cycle	: S1
Frequency	: 60 Hz	Service factor	: 1.15
Full load speed	: 3530 rpm	Design	: B
Voltage	: 208-230/460 V	Locked rotor torque	: 200 %
Rated current	: 65.9-59.6/29.8 A	Breakdown torque	: 260 %
Insulation class	: F		

Notes:  
Downloaded from <http://dealerselectric.com>  
Generated for Model #02536OT3E256JM

Performed by

Checked



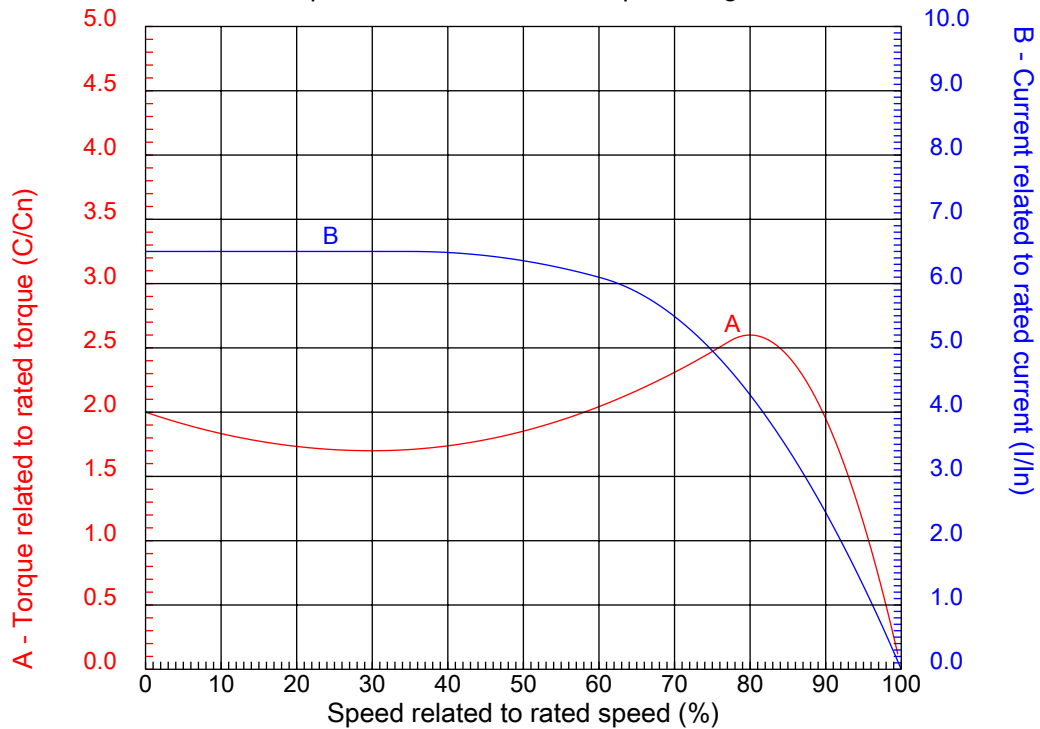
# Dealers Industrial Equipment

No.:

Date: 23-SEP-2016

## CHARACTERISTIC CURVES RELATED TO SPEED

Three-phase induction motor - Squirrel cage rotor



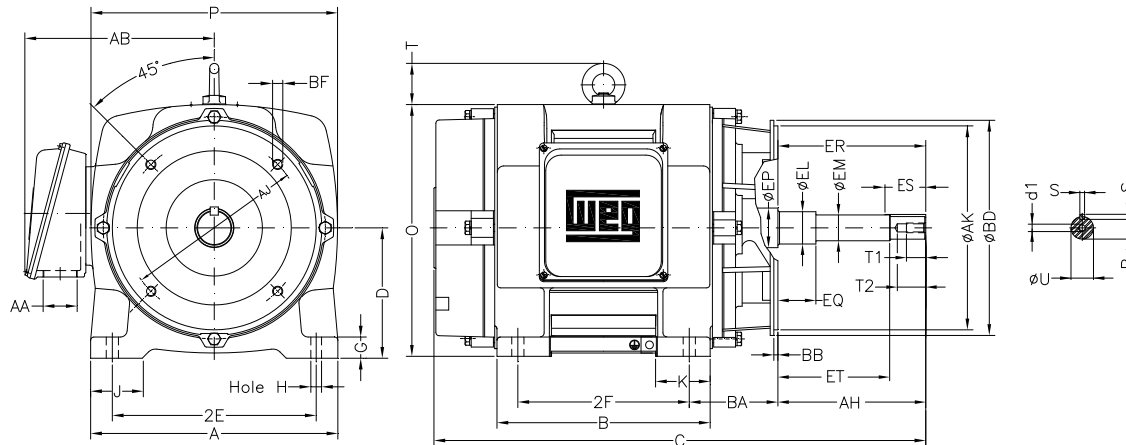
Customer :  
Product line : Close Coupled Pump : Three-Phase - "JM" Type - ODP - NEMA Premium

Frame	: 256JM	Locked rotor current (I <sub>l</sub> /I <sub>n</sub> )	: 6.5
Output	: 25 HP	Duty cycle	: S1
Frequency	: 60 Hz	Service factor	: 1.15
Full load speed	: 3530 rpm	Design	: B
Voltage	: 208-230/460 V	Locked rotor torque	: 200 %
Rated current	: 65.9-59.6/29.8 A	Breakdown torque	: 260 %
Insulation class	: F		

Notes:  
Downloaded from <http://dealerselectric.com>  
Generated for Model #02536OT3E256JM

Performed by

Checked



Notes: Downloaded from <http://dealerselectric.com>  
Generated for Model #02536OT3E256JM

E	2E 10.000	A 12.130	2F 10.000	B 11.732	J 2.520
	BA 4.500	D 6.220	K 2.560	G 0.787	O 12.204
	P 11.812	T 2.165	AB 10.079	H 0.531	AA NPT 1 1/2"
	ER 5.250	EQ 0.630	ET 3.006	U 1.249	EM 1.375
	EL 1.750	S 0.250	EP 1.750	R 1.110	d1 EUNC 1/2"-13
F	ES 2.559	t1 0.984	t2 1.496	C 23.902	CH 1.929
	Flange FC-184	AJ 7.250	AK 8.500	BD 8.858	BF UNC 1/2"x13
	BB 0.250	AH 5.250			

Performed by:	
Checked:	
Customer:	
Close Coupled Pump : Three-Phase - "JM" Type - ODP - NEMA Premium	
Three-phase induction motor Frame 256JM - IP23	23-SEP-2016



1 2 3 4 5 6 7 8

A  
B  
C  
D  
E  
F

LOW VOLTAGE

HIGH VOLTAGE



CONNECTIONS FOR STARTING ONLY:

LOW VOLTAGE

HIGH VOLTAGE



Notes: Downloaded from <http://dealerselectric.com>  
Generated for Model #02536OT3E256JM

Performed by:

Checked:

Customer:

Close Coupled Pump : Three-Phase - "JM" Type - ODP - NEMA Premium

Three-phase induction motor  
Frame 256JM - IP23

23-SEP-2016

