



Dealers Industrial Equipment

No.:

Date: 23-SEP-2016

Customer :

TECHNICAL PROPOSAL

Three-phase induction motor - Squirrel cage rotor

Product line : Fire Pump Motors - ODP Three Phase - Foot Mount and Flange Mount

Catalog Number : 02536OP3VFP256TC

List Price : \$1,783

Notes:

Downloaded from <http://dealerselectric.com>

Generated for Model #02536OP3VFP256TC

Performed by:

Checked:



Dealers Industrial Equipment

No.:

Date: 23-SEP-2016

DATA SHEET Three-phase induction motor - Squirrel cage rotor

Customer :
 Product line : Fire Pump Motors - ODP Three Phase - Foot Mount and Flange Mount

Frame : 256T
 Output : 25 HP
 Frequency : 60 Hz
 Poles : 2
 Full load speed : 3530 rpm
 Slip : 1.94 %
 Voltage : 200/400 V
 Rated current : 67.4/33.7 A
 Locked rotor current : 404/202 A
 Locked rotor current (I_L/I_n) : 6.0
 No-load current : 21.6/10.8 A
 Full load torque : 36.7 lb.ft
 Locked rotor torque : 200 %
 Breakdown torque : 250 %
 Design : B
 Insulation class : F
 Temperature rise : 80 K
 Locked rotor time : 10 s (hot)
 Service factor : 1.15
 Duty cycle : S1
 Ambient temperature : -20°C - +40°C
 Altitude : 1000 m
 Degree of Protection : IP23
 Approximate weight : 230 lb
 Moment of inertia : 0.97744 sq.ft.lb
 Noise level : 67 dB(A)

	D.E.	N.D.E.
Bearings	6309 Z-C3	6209 Z-C3
Regreasing interval	20000 h	20000 h
Grease amount	13 g	9 g

Load	Power factor	Efficiency (%)
100%	0.87	91.0
75%	0.84	91.0
50%	0.76	90.2

Notes:
 Downloaded from <http://dealerselectric.com>
 Generated for Model #02536OP3VFP256TC

Performed by

Checked



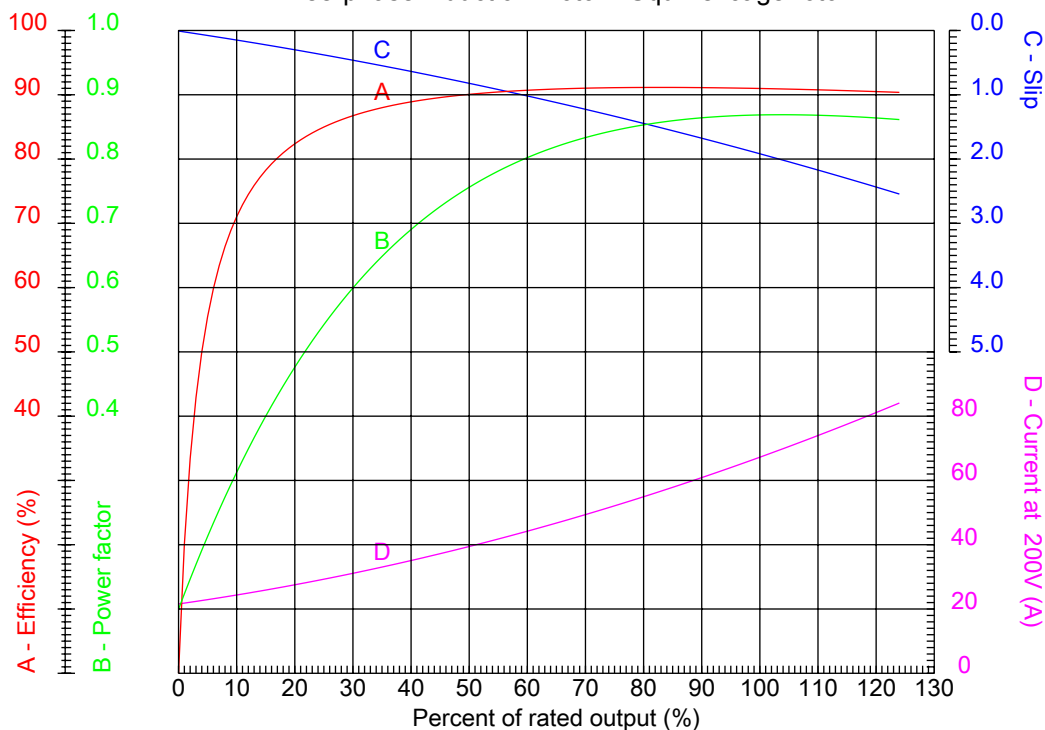
Dealers Industrial Equipment

No.:

Date: 23-SEP-2016

PERFORMANCE CURVES RELATED TO RATED OUTPUT

Three-phase induction motor - Squirrel cage rotor



Customer :
 Product line : Fire Pump Motors - ODP Three Phase - Foot Mount and Flange Mount

Frame	: 256T	Locked rotor current (I _l /I _n)	: 6.0
Output	: 25 HP	Duty cycle	: S1
Frequency	: 60 Hz	Service factor	: 1.15
Full load speed	: 3530 rpm	Design	: B
Voltage	: 200/400 V	Locked rotor torque	: 200 %
Rated current	: 67.4/33.7 A	Breakdown torque	: 250 %
Insulation class	: F		

Notes:
 Downloaded from <http://dealerselectric.com>
 Generated for Model #02536OP3VFP256TC

Performed by

Checked



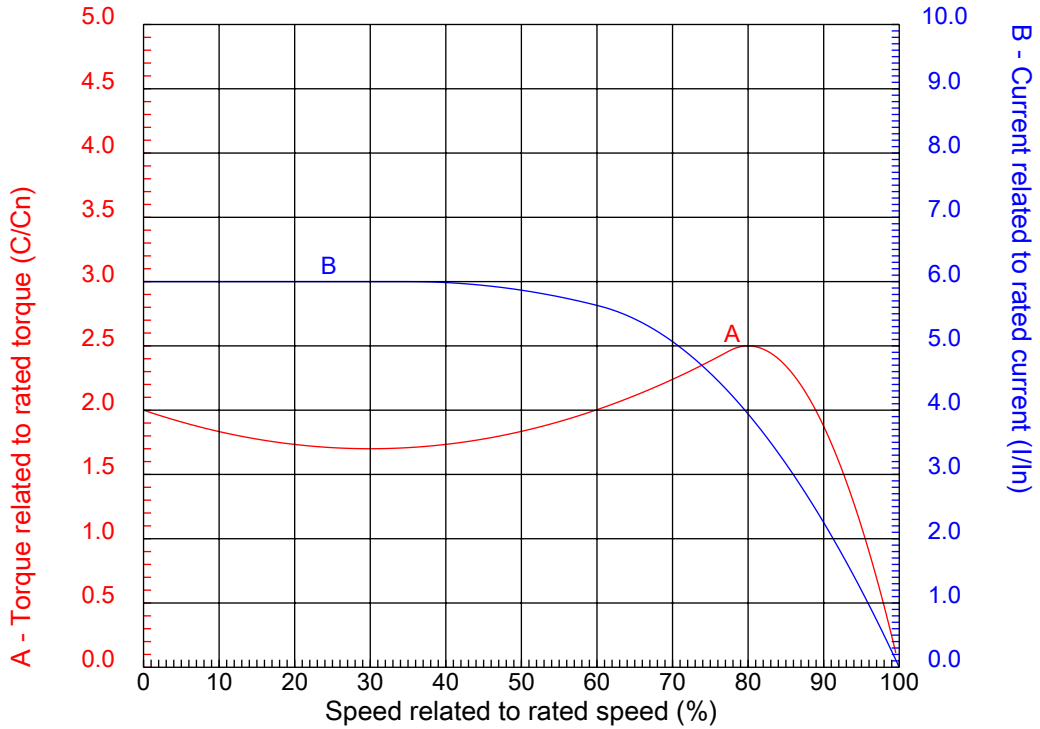
Dealers Industrial Equipment

No.:

Date: 23-SEP-2016

CHARACTERISTIC CURVES RELATED TO SPEED

Three-phase induction motor - Squirrel cage rotor



Customer :
Product line : Fire Pump Motors - ODP Three Phase - Foot Mount and Flange Mount

Frame	: 256T	Locked rotor current (I _l /I _n)	: 6.0
Output	: 25 HP	Duty cycle	: S1
Frequency	: 60 Hz	Service factor	: 1.15
Full load speed	: 3530 rpm	Design	: B
Voltage	: 200/400 V	Locked rotor torque	: 200 %
Rated current	: 67.4/33.7 A	Breakdown torque	: 250 %
Insulation class	: F		

Notes:
Downloaded from <http://dealerselectric.com>
Generated for Model #02536OP3VFP256TC

Performed by

Checked

1 2 3 4 5 6 7 8

A

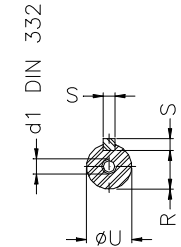
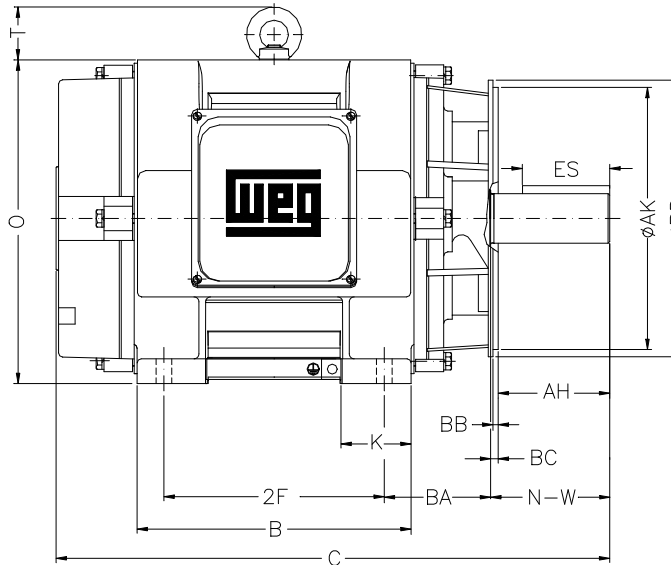
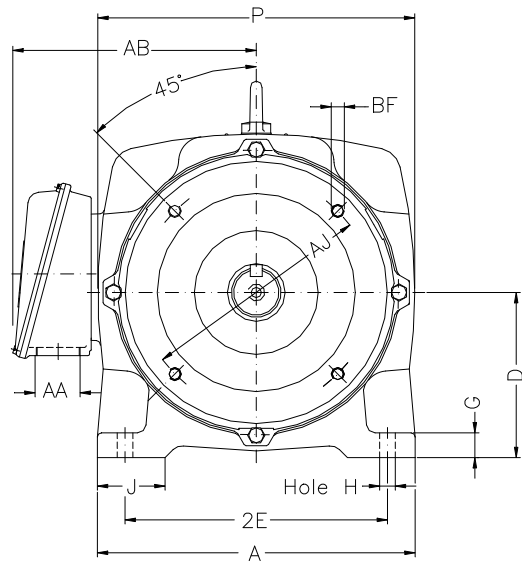
B

C

D

E

F



Notes: Downloaded from <http://dealerselectric.com>
Generated for Model #02536OP3VFP256TC

2E 10.000	A 12.130	2F 10.000	B 11.732	BA 4.250
J 2.520	K 2.560	P 11.812	ES 2.756	depth 0.375
S 0.375	D 6.250	N-W 4.000	G 0.787	U 1.625
O 12.204	T 2.165	R 1.416	H 0.531	AB 10.079
C 22.401	AA NPT 1 1/2"	d1 A 4	Flange FC-184	AJ 7.250
AK 8.500	BD 8.875	BF UNC 1/2"x13	BB 0.250	BC 0.250
AH 3.750				

Performed by:	
Checked:	
Customer:	
Fire Pump Motors - ODP Three Phase - Foot Mount and Flange Mount	
Three-phase induction motor Frame 256T - IP23	23-SEP-2016



1 2 3 4 5 6 7 8

A
B
C
D
E
F

LOW VOLTAGE

HIGH VOLTAGE



CONNECTIONS FOR STARTING ONLY:

LOW VOLTAGE

HIGH VOLTAGE



Notes: Downloaded from <http://dealerselectric.com>
Generated for Model #02536OP3VFP256TC

Performed by:

Checked:

Customer:

Fire Pump Motors - ODP Three Phase - Foot Mount and Flange Mount

Three-phase induction motor
Frame 256T - IP23

23-SEP-2016

