



Dealers Industrial Equipment

No.:

Date: 23-SEP-2016

Customer :

TECHNICAL PROPOSAL

## Three-phase induction motor - Squirrel cage rotor

Product line : W22 NEMA Premium - Ball Bearings

Catalog Number : 02536ET3E284TS-W22

List Price : \$2,998

Notes:

Downloaded from <http://dealerselectric.com>

Generated for Model #02536ET3E284TS-W22

Performed by:

Checked:



# Dealers Industrial Equipment

No.:

Date: 23-SEP-2016

## DATA SHEET Three-phase induction motor - Squirrel cage rotor

Customer :  
Product line : W22 NEMA Premium - Ball Bearings

Frame : 284/6TS  
Output : 25 HP  
Frequency : 60 Hz  
Poles : 2  
Full load speed : 3535 rpm  
Slip : 1.81 %  
Voltage : 208-230/460 V  
Rated current : 63.0-57.0/28.5 A  
Locked rotor current : 359/180 A  
Locked rotor current (I<sub>L</sub>/I<sub>n</sub>) : 6.3  
No-load current : 15.0/7.50 A  
Full load torque : 36.6 lb.ft  
Locked rotor torque : 200 %  
Breakdown torque : 250 %  
Design : B  
Insulation class : F  
Temperature rise : 80 K  
Locked rotor time : 17 s (hot)  
Service factor : 1.25  
Duty cycle : S1  
Ambient temperature : -20°C - +40°C  
Altitude : 1000 m  
Degree of Protection : IP55  
Approximate weight : 362 lb  
Moment of inertia : 2.6936 sq.ft.lb  
Noise level : 72 dB(A)

	D.E.	N.D.E.
Bearings	6311 C3	6211 C3
Regreasing interval	14000 h	17000 h
Grease amount	18 g	11 g

Load	Power factor	Efficiency (%)
100%	0.89	91.7
75%	0.87	91.7
50%	0.82	91.0

Notes:  
Downloaded from <http://dealerselectric.com>  
Generated for Model #02536ET3E284TS-W22

Performed by

Checked



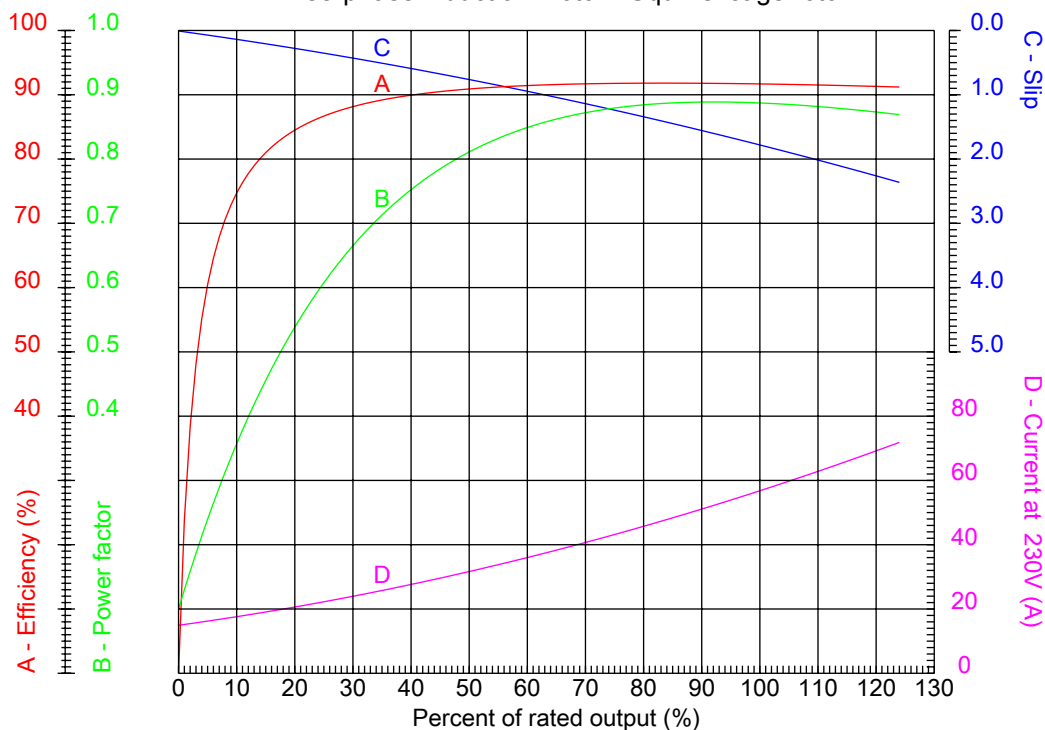
# Dealers Industrial Equipment

No.:

Date: 23-SEP-2016

## PERFORMANCE CURVES RELATED TO RATED OUTPUT

Three-phase induction motor - Squirrel cage rotor



Customer :  
Product line : W22 NEMA Premium - Ball Bearings

Frame	: 284/6TS	Locked rotor current (I <sub>l</sub> /I <sub>n</sub> )	: 6.3
Output	: 25 HP	Duty cycle	: S1
Frequency	: 60 Hz	Service factor	: 1.25
Full load speed	: 3535 rpm	Design	: B
Voltage	: 208-230/460 V	Locked rotor torque	: 200 %
Rated current	: 63.0-57.0/28.5 A	Breakdown torque	: 250 %
Insulation class	: F		

Notes:  
Downloaded from <http://dealerselectric.com>  
Generated for Model #02536ET3E284TS-W22

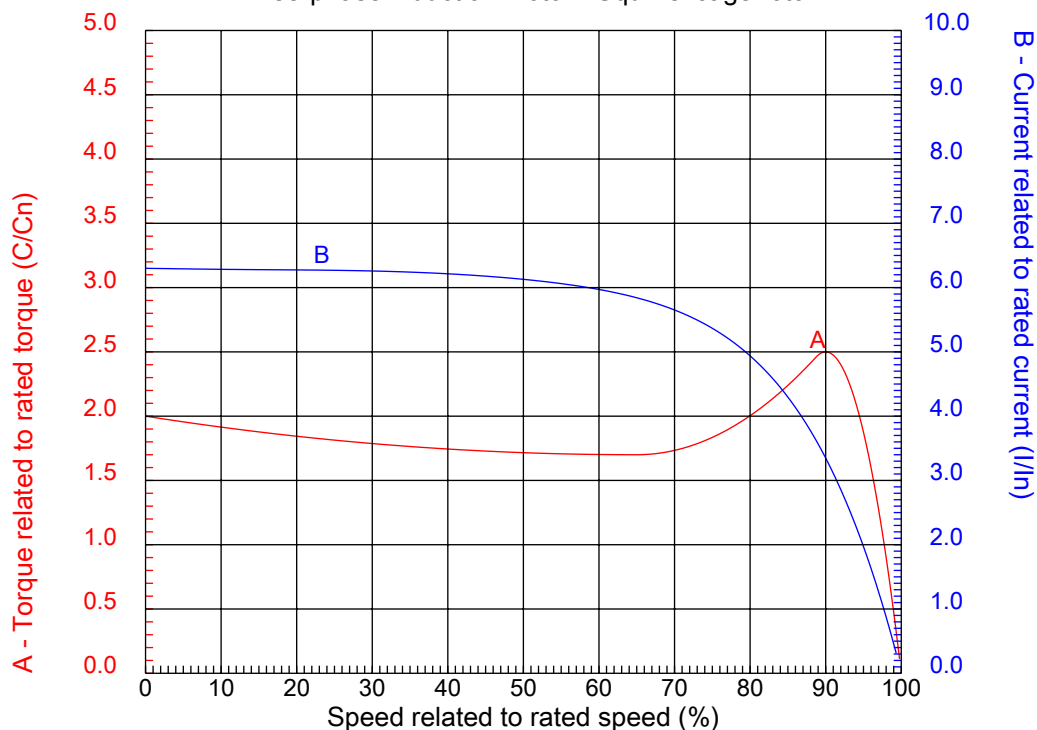
Performed by

Checked



## CHARACTERISTIC CURVES RELATED TO SPEED

Three-phase induction motor - Squirrel cage rotor



Customer :  
Product line : W22 NEMA Premium - Ball Bearings

Frame	: 284/6TS	Locked rotor current (I <sub>l</sub> /I <sub>n</sub> )	: 6.3
Output	: 25 HP	Duty cycle	: S1
Frequency	: 60 Hz	Service factor	: 1.25
Full load speed	: 3535 rpm	Design	: B
Voltage	: 208-230/460 V	Locked rotor torque	: 200 %
Rated current	: 63.0-57.0/28.5 A	Breakdown torque	: 250 %
Insulation class	: F		

Notes:  
Downloaded from <http://dealerselectric.com>  
Generated for Model #02536ET3E284TS-W22

Performed by

Checked

1 2 3 4 5 6 7 8

A

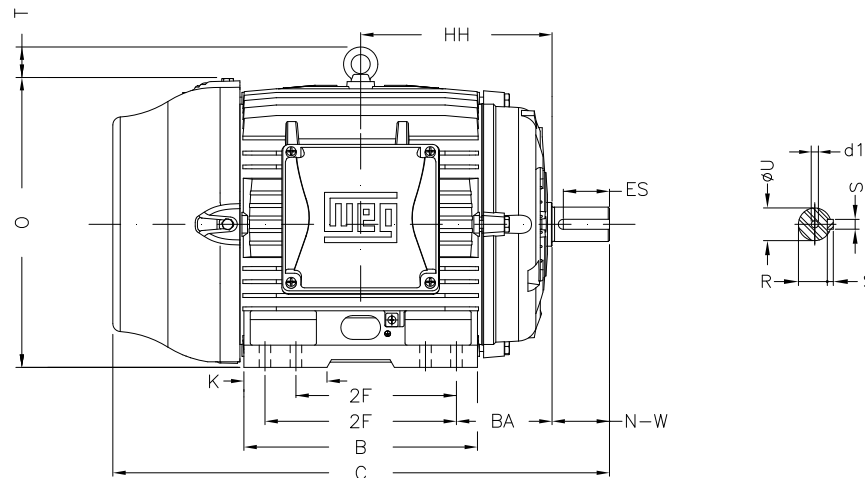
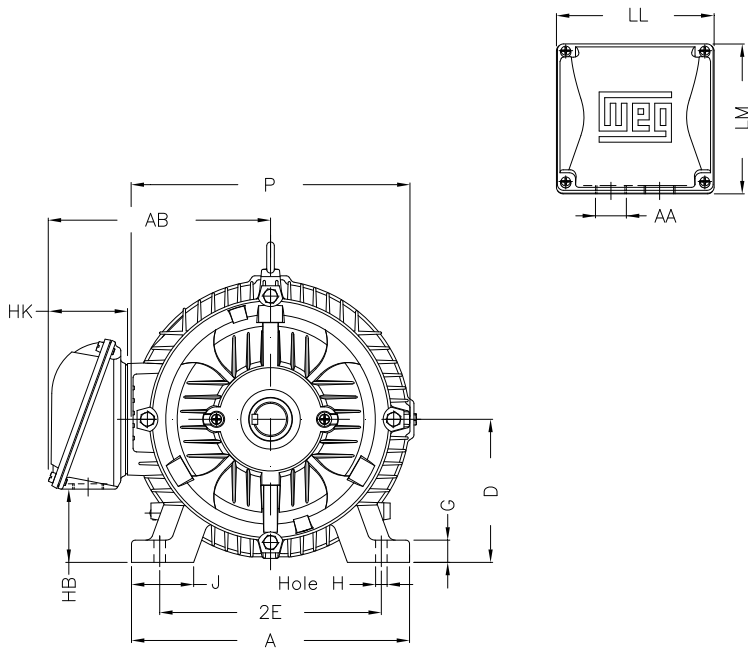
B

C

D

E

F



Notes: Downloaded from <http://dealerselectric.com>  
Generated for Model #02536ET3E284TS-W22

Performed by:

Checked:

Customer:

W22 NEMA Premium - Ball Bearings

Three-phase induction motor  
Frame 284/6TS - IP55

23-SEP-2016



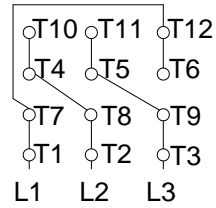
2E 11.000	J 3.071	A 13.780	P 14.173	AB 11.073
2F 9.500/11.000	K 3.583	B 13.071	BA 4.750	FBA 7.876
U 1.625	N-W 3.250	ES 2.480	S 0.375	R 1.416
depth 0.375	D 7.000	G 1.023	HB 3.535	O 14.067
T 2.087	HF 7.000	HH 10.250	HK 3.976	H 0.531
C 26.557	LL 7.815	LM 7.480	AA NPT 1 1/2"	d1 A 4

1 2 3 4 5 6 7 8

A  
B  
C  
D  
E  
F

LOW VOLTAGE

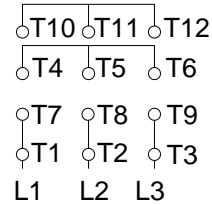
HIGH VOLTAGE



CONNECTIONS FOR STARTING ONLY:

LOW VOLTAGE

HIGH VOLTAGE



Notes: Downloaded from <http://dealerselectric.com>  
Generated for Model #02536ET3E284TS-W22

Performed by:

Checked:

Customer:

W22 NEMA Premium - Ball Bearings

Three-phase induction motor  
Frame 284/6TS - IP55

23-SEP-2016

