



Dealers Industrial Equipment

No.:

Date: 23-SEP-2016

Customer :

TECHNICAL PROPOSAL

Three-phase induction motor - Squirrel cage rotor

Product line : Close Coupled Pump: Three-Phase - W22 "JM" Type - TEFC - High Efficiency

Catalog Number : 02536EP3H256JM-W22

List Price : \$>(discontinued)

Notes:

Downloaded from <http://dealerselectric.com>

Generated for Model #02536EP3H256JM-W22

Performed by:

Checked:



Dealers Industrial Equipment

No.:

Date: 23-SEP-2016

DATA SHEET Three-phase induction motor - Squirrel cage rotor

Customer :
 Product line : Close Coupled Pump: Three-Phase - W22 "JM" Type - TEFC - High Efficiency

Frame : 254/6JM
 Output : 25 HP
 Frequency : 60 Hz
 Poles : 2
 Full load speed : 3515 rpm
 Slip : 2.36 %
 Voltage : 575 V
 Rated current : 22.7 A
 Locked rotor current : 141 A
 Locked rotor current (I_L/I_n) : 6.2
 No-load current : 6.40 A
 Full load torque : 36.8 lb.ft
 Locked rotor torque : 200 %
 Breakdown torque : 230 %
 Design : B
 Insulation class : F
 Temperature rise : 80 K
 Locked rotor time : 11 s (hot)
 Service factor : 1.15
 Duty cycle : S1
 Ambient temperature : -20°C - +40°C
 Altitude : 1000 m
 Degree of Protection : IP55
 Approximate weight : 273 lb
 Moment of inertia : 1.5358 sq.ft.lb
 Noise level : 72 dB(A)

	D.E.	N.D.E.
Bearings	6309 C3	6209 C3
Regreasing interval	19000 h	20000 h
Grease amount	13 g	9 g

Load	Power factor	Efficiency (%)
100%	0.90	91.0
75%	0.87	91.0
50%	0.81	91.0

Notes:
 Downloaded from <http://dealerselectric.com>
 Generated for Model #02536EP3H256JM-W22

Performed by

Checked



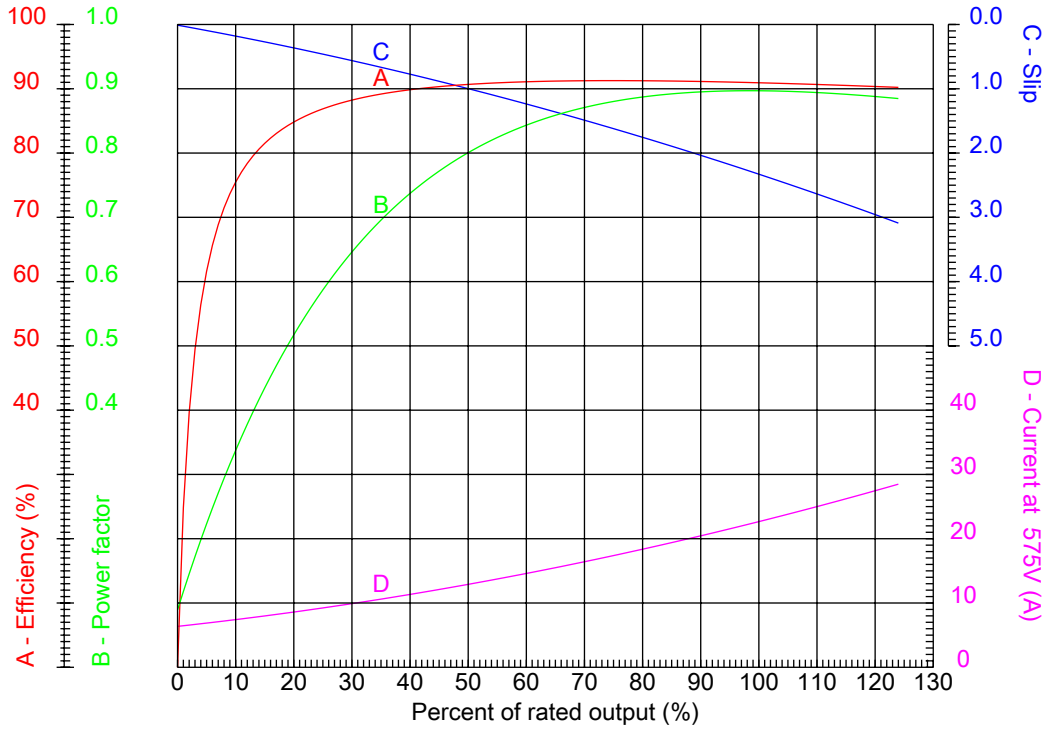
Dealers Industrial Equipment

No.:

Date: 23-SEP-2016

PERFORMANCE CURVES RELATED TO RATED OUTPUT

Three-phase induction motor - Squirrel cage rotor



Customer :
 Product line : Close Coupled Pump: Three-Phase - W22 "JM" Type - TEFC - High Efficiency

Frame	: 254/6JM	Locked rotor current (I _l /I _n)	: 6.2
Output	: 25 HP	Duty cycle	: S1
Frequency	: 60 Hz	Service factor	: 1.15
Full load speed	: 3515 rpm	Design	: B
Voltage	: 575 V	Locked rotor torque	: 200 %
Rated current	: 22.7 A	Breakdown torque	: 230 %
Insulation class	: F		

Notes:
 Downloaded from <http://dealerselectric.com>
 Generated for Model #02536EP3H256JM-W22

Performed by

Checked



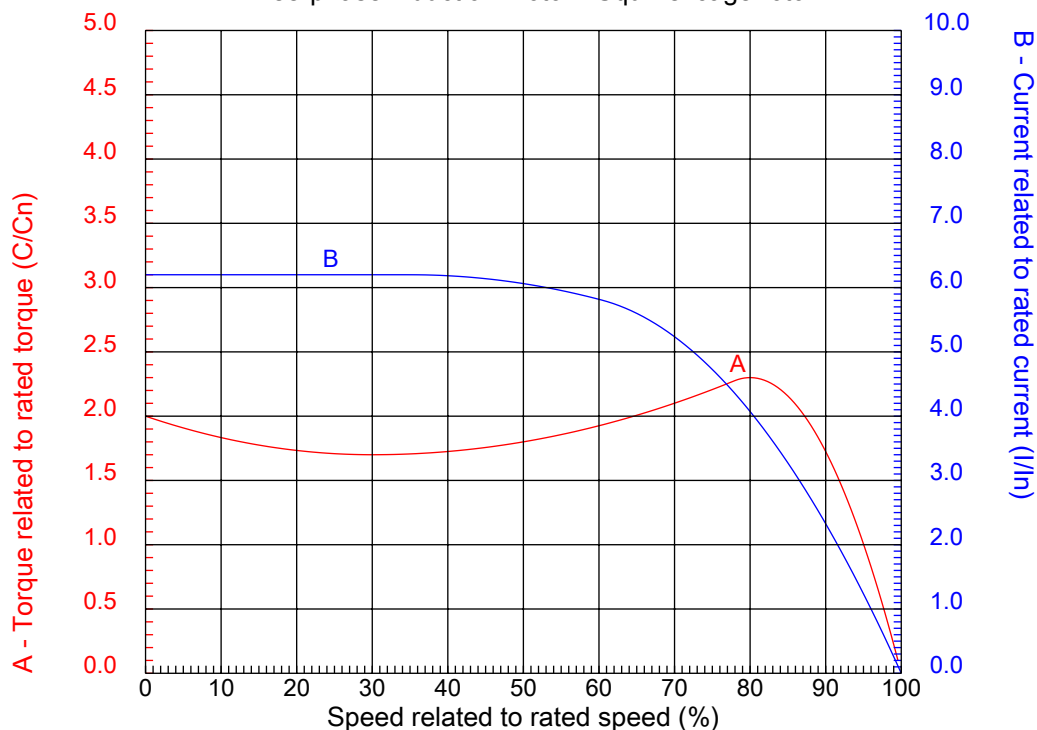
Dealers Industrial Equipment

No.:

Date: 23-SEP-2016

CHARACTERISTIC CURVES RELATED TO SPEED

Three-phase induction motor - Squirrel cage rotor



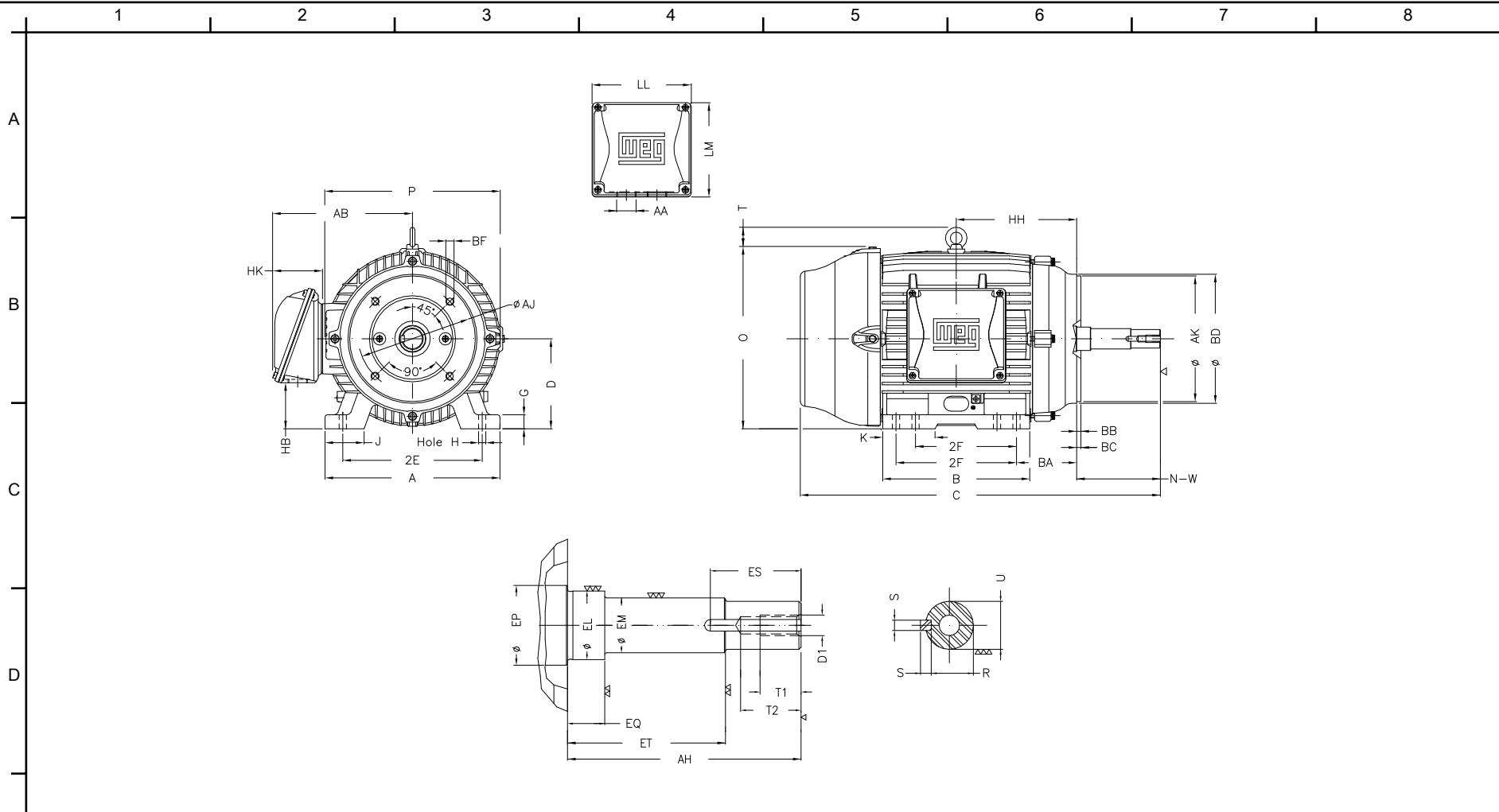
Customer :
Product line : Close Coupled Pump: Three-Phase - W22 "JM" Type - TEFC - High Efficiency

Frame	: 254/6JM	Locked rotor current (I/I _n)	: 6.2
Output	: 25 HP	Duty cycle	: S1
Frequency	: 60 Hz	Service factor	: 1.15
Full load speed	: 3515 rpm	Design	: B
Voltage	: 575 V	Locked rotor torque	: 200 %
Rated current	: 22.7 A	Breakdown torque	: 230 %
Insulation class	: F		

Notes:
Downloaded from <http://dealerselectric.com>
Generated for Model #02536EP3H256JM-W22

Performed by

Checked



E	2E 10.000	J 2.539	A 12.126	P 12.953	AB 10.483
	2F 8.252/10.000	K 2.559	B 11.732	BA 4.250	D 6.250
	G 0.827	O 12.598	T 2.087	H 0.531	AA NPT 1 1/2"
	EQ 0.630	ET 3.006	U 1.249	EM 1.375	EL 1.750
	EP 1.750	ES 2.480	t1 0.984	t2 1.496	C 26.226
F	d1 EUNC 1/2"-13	HH 9.250	HK 3.976	HB 3.061	LL 7.815
	LM 7.480	S 0.250	R 1.110	Flange FC-184	AJ 7.252
	AK 8.500	BD 8.858	BF UNC 1/2"x13	BB 0.248	AH 5.250

Notes: Downloaded from <http://dealerselectric.com>
 Generated for Model #02536EP3H256JM-W22

Performed by:


Checked:

Customer:

Close Coupled Pump: Three-Phase - W22 "JM" Type - TEFC - High Efficiency

Three-phase induction motor
 Frame 254/6JM - IP55

23-SEP-2016



1 2 3 4 5 6 7 8

A
B
C
D
E
F

RUN

ONLY FOR START



Notes: Downloaded from http://dealerselectric.com Generated for Model #02536EP3H256JM-W22		
Performed by:		
Checked:		
Customer:		
Close Coupled Pump: Three-Phase - W22 "JM" Type - TEFC - High Efficiency		
Three-phase induction motor Frame 254/6JM - IP55	23-SEP-2016	