



# Dealers Industrial Equipment

No.:

Date: 23-SEP-2016

Customer :

## TECHNICAL PROPOSAL

### Three-phase induction motor - Squirrel cage rotor

Product line : P-Base Motors : High Efficiency

Catalog Number : 02536EP3E284HP

List Price : \$3,454

#### Notes:

Downloaded from <http://dealerselectric.com>

Generated for Model #02536EP3E284HP

Performed by:

Checked:



# Dealers Industrial Equipment

No.:

Date: 23-SEP-2016

## DATA SHEET Three-phase induction motor - Squirrel cage rotor

Customer :  
Product line : P-Base Motors : High Efficiency

Frame : 284HP  
Output : 25 HP  
Frequency : 60 Hz  
Poles : 2  
Full load speed : 3525 rpm  
Slip : 2.08 %  
Voltage : 230/460 V  
Rated current : 58.0/29.0 A  
Locked rotor current : 360/180 A  
Locked rotor current (I<sub>L</sub>/I<sub>n</sub>) : 6.2  
No-load current : 14.8/7.40 A  
Full load torque : 36.7 lb.ft  
Locked rotor torque : 200 %  
Breakdown torque : 250 %  
Design : B  
Insulation class : F  
Temperature rise : 80 K  
Locked rotor time : 23 s (hot)  
Service factor : 1.25  
Duty cycle : S1  
Ambient temperature : -20°C - +40°C  
Altitude : 1000 m  
Degree of Protection : IP55  
Approximate weight : 304 lb  
Moment of inertia : 2.2895 sq.ft.lb  
Noise level : 75 dB(A)

	D.E.	N.D.E.
Bearings	6312 C3	6211 C3
Regreasing interval	4914 h	7113 h
Grease amount	21 g	11 g

Load	Power factor	Efficiency (%)
100%	0.88	91.0
75%	0.87	91.0
50%	0.84	90.2

Notes:  
Downloaded from <http://dealerselectric.com>  
Generated for Model #02536EP3E284HP

Performed by

Checked



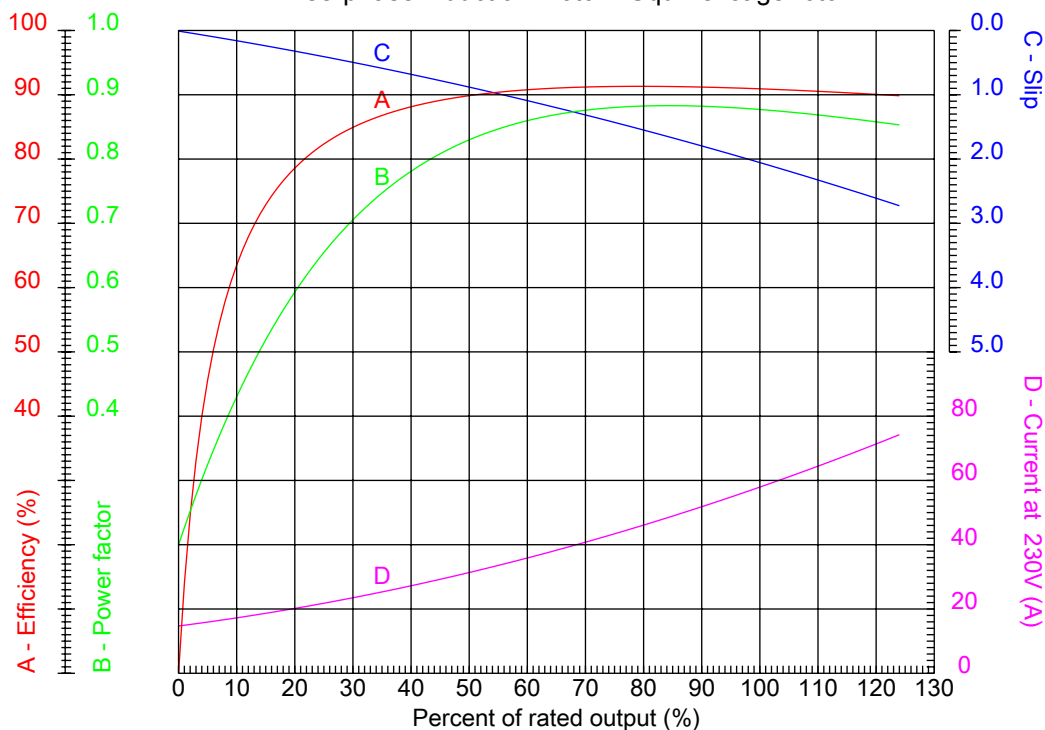
# Dealers Industrial Equipment

No.:

Date: 23-SEP-2016

## PERFORMANCE CURVES RELATED TO RATED OUTPUT

Three-phase induction motor - Squirrel cage rotor



Customer :  
 Product line : P-Base Motors : High Efficiency

Frame	: 284HP	Locked rotor current (I <sub>l</sub> /I <sub>n</sub> )	: 6.2
Output	: 25 HP	Duty cycle	: S1
Frequency	: 60 Hz	Service factor	: 1.25
Full load speed	: 3525 rpm	Design	: B
Voltage	: 230/460 V	Locked rotor torque	: 200 %
Rated current	: 58.0/29.0 A	Breakdown torque	: 250 %
Insulation class	: F		

Notes:  
 Downloaded from <http://dealerselectric.com>  
 Generated for Model #02536EP3E284HP

Performed by

Checked



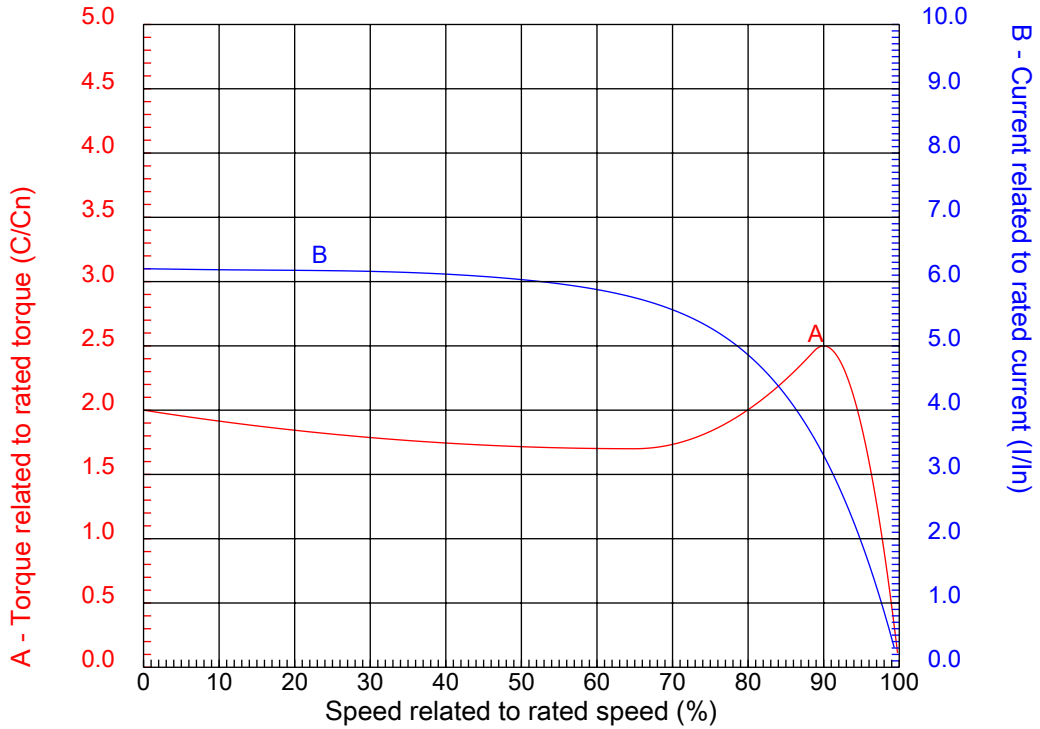
# Dealers Industrial Equipment

No.:

Date: 23-SEP-2016

## CHARACTERISTIC CURVES RELATED TO SPEED

Three-phase induction motor - Squirrel cage rotor



Customer :  
 Product line : P-Base Motors : High Efficiency

Frame	: 284HP	Locked rotor current (I <sub>l</sub> /I <sub>n</sub> )	: 6.2
Output	: 25 HP	Duty cycle	: S1
Frequency	: 60 Hz	Service factor	: 1.25
Full load speed	: 3525 rpm	Design	: B
Voltage	: 230/460 V	Locked rotor torque	: 200 %
Rated current	: 58.0/29.0 A	Breakdown torque	: 250 %
Insulation class	: F		

Notes:  
 Downloaded from <http://dealerselectric.com>  
 Generated for Model #02536EP3E284HP

Performed by

Checked

1 2 3 4 5 6 7 8

A

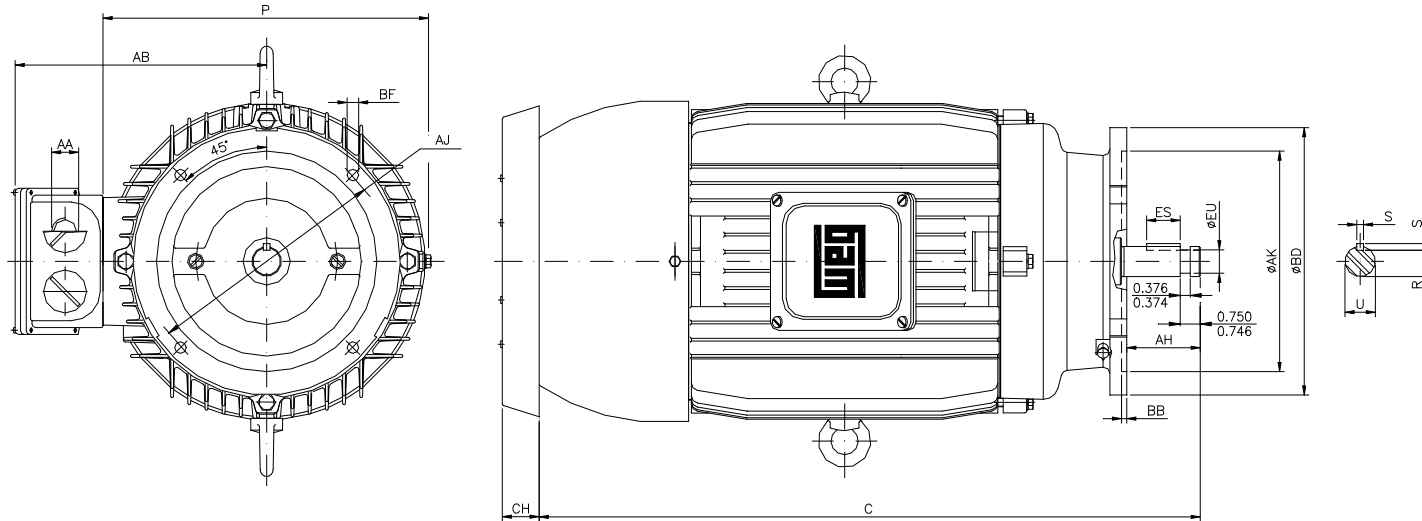
B

C

D

E

F



Notes: Downloaded from <http://dealerselectric.com>  
Generated for Model #02536EP3E284HP

Performed by:

Checked:

Customer:

P-Base Motors : High Efficiency

ES 1.250	S 0.250	EU 0.875	U 1.125	R 0.984
P 14.094	AH 2.750	AB 10.866	C 26.350	CH 2.244
AA NPT 1 1/2"	Flange D-254	AJ 9.125	AK 8.250	BD 10.000
BF 0.433	BB 0.196			

Three-phase induction motor  
Frame 284HP - IP55

23-SEP-2016

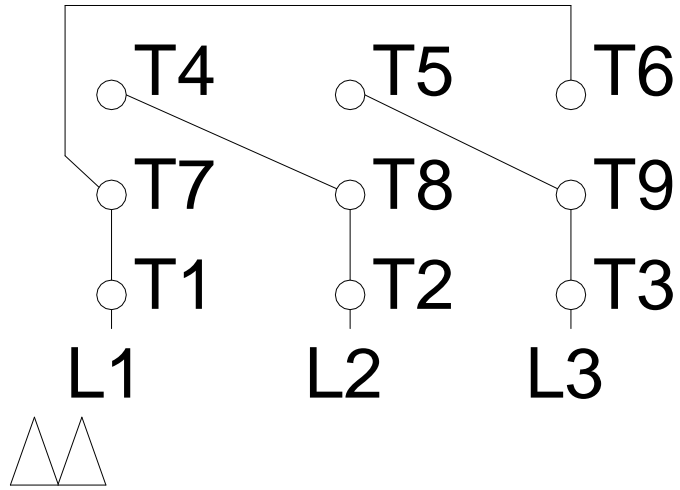


1 2 3 4 5 6 7 8

# LOW VOLTAGE

# HIGH VOLTAGE

A  
B  
C  
D  
E  
F



Notes: Downloaded from <a href="http://dealerselectric.com">http://dealerselectric.com</a> Generated for Model #02536EP3E284HP		
Performed by:		
Checked:		
Customer:		
P-Base Motors : High Efficiency		
Three-phase induction motor Frame 284HP - IP55	23-SEP-2016	