



Dealers Industrial Equipment

No.:

Date: 23-SEP-2016

Customer :

TECHNICAL PROPOSAL

Three-phase induction motor - Squirrel cage rotor

Product line : Close Coupled Pump: Three-Phase - W22 "JM" Type - TEFC - High Efficiency

Catalog Number : 02536EP3E256JM-W22

List Price : \$>(discontinued)</span>

Notes:

Downloaded from <http://dealerselectric.com>

Generated for Model #02536EP3E256JM-W22

Performed by:

Checked:



# Dealers Industrial Equipment

No.:

Date: 23-SEP-2016

## DATA SHEET Three-phase induction motor - Squirrel cage rotor

Customer :  
 Product line : Close Coupled Pump: Three-Phase - W22 "JM" Type - TEFC - High Efficiency

Frame : 254/6JM  
 Output : 25 HP  
 Frequency : 60 Hz  
 Poles : 2  
 Full load speed : 3515 rpm  
 Slip : 2.36 %  
 Voltage : 208-230/460 V  
 Rated current : 62.8-56.8/28.4 A  
 Locked rotor current : 352/176 A  
 Locked rotor current (I<sub>L</sub>/I<sub>n</sub>) : 6.2  
 No-load current : 16.0/8.00 A  
 Full load torque : 36.8 lb.ft  
 Locked rotor torque : 200 %  
 Breakdown torque : 230 %  
 Design : B  
 Insulation class : F  
 Temperature rise : 80 K  
 Locked rotor time : 11 s (hot)  
 Service factor : 1.15  
 Duty cycle : S1  
 Ambient temperature : -20°C - +40°C  
 Altitude : 1000 m  
 Degree of Protection : IP55  
 Approximate weight : 273 lb  
 Moment of inertia : 1.5358 sq.ft.lb  
 Noise level : 72 dB(A)

|                     | D.E.    | N.D.E.  |
|---------------------|---------|---------|
| Bearings            | 6309 C3 | 6209 C3 |
| Regreasing interval | 19000 h | 20000 h |
| Grease amount       | 13 g    | 9 g     |

| Load | Power factor | Efficiency (%) |
|------|--------------|----------------|
| 100% | 0.90         | 91.0           |
| 75%  | 0.87         | 91.0           |
| 50%  | 0.81         | 91.0           |

Notes:  
 Downloaded from <http://dealerselectric.com>  
 Generated for Model #02536EP3E256JM-W22

Performed by

Checked



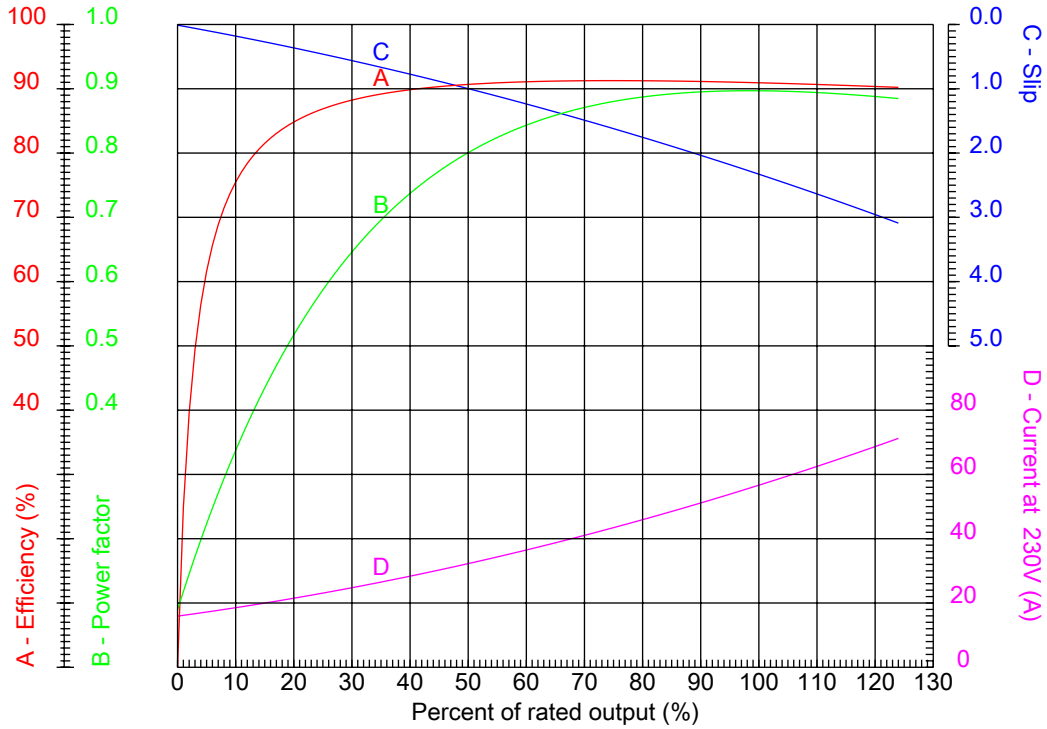
# Dealers Industrial Equipment

No.:

Date: 23-SEP-2016

## PERFORMANCE CURVES RELATED TO RATED OUTPUT

Three-phase induction motor - Squirrel cage rotor



Customer :  
 Product line : Close Coupled Pump: Three-Phase - W22 "JM" Type - TEFC - High Efficiency

|                  |                    |  |         |
|------------------|--------------------|--|---------|
| Frame            | : 254/6JM          | Locked rotor current (I <sub>l</sub> /I <sub>n</sub> ) | : 6.2   |
| Output           | : 25 HP            | Duty cycle   | : S1    |
| Frequency        | : 60 Hz            | Service factor   | : 1.15  |
| Full load speed  | : 3515 rpm         | Design   | : B     |
| Voltage          | : 208-230/460 V    | Locked rotor torque                                    | : 200 % |
| Rated current    | : 62.8-56.8/28.4 A | Breakdown torque                                       | : 230 % |
| Insulation class | : F                |  |         |

Notes:  
 Downloaded from <http://dealerselectric.com>  
 Generated for Model #02536EP3E256JM-W22

Performed by

Checked



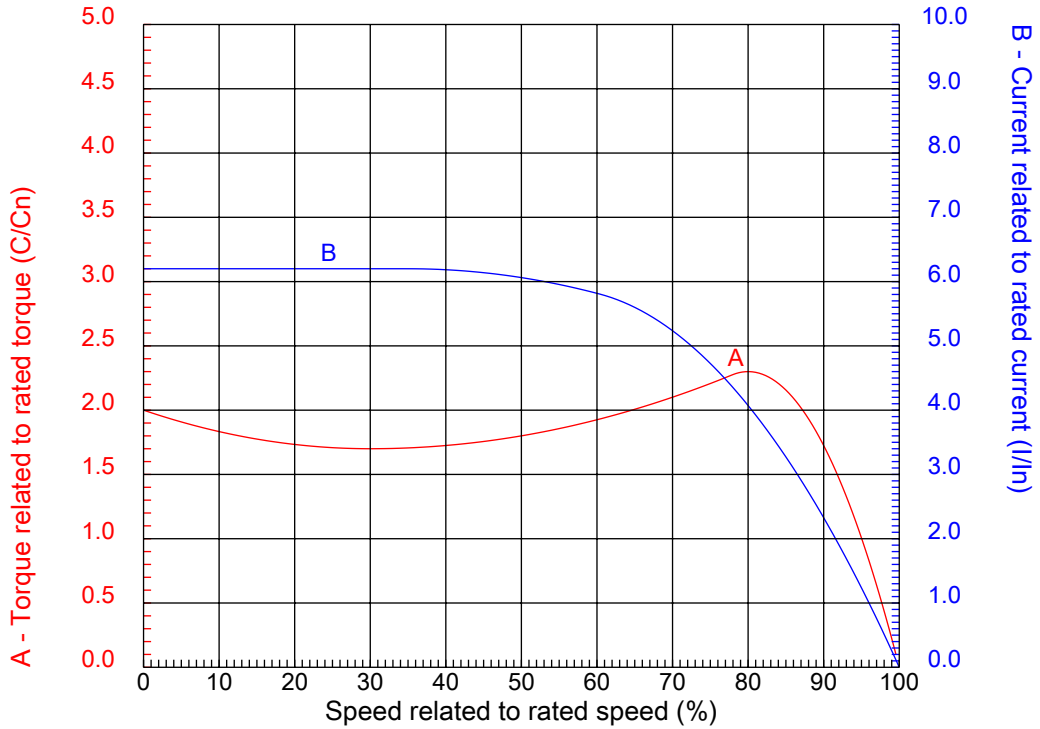
# Dealers Industrial Equipment

No.:

Date: 23-SEP-2016

## CHARACTERISTIC CURVES RELATED TO SPEED

Three-phase induction motor - Squirrel cage rotor



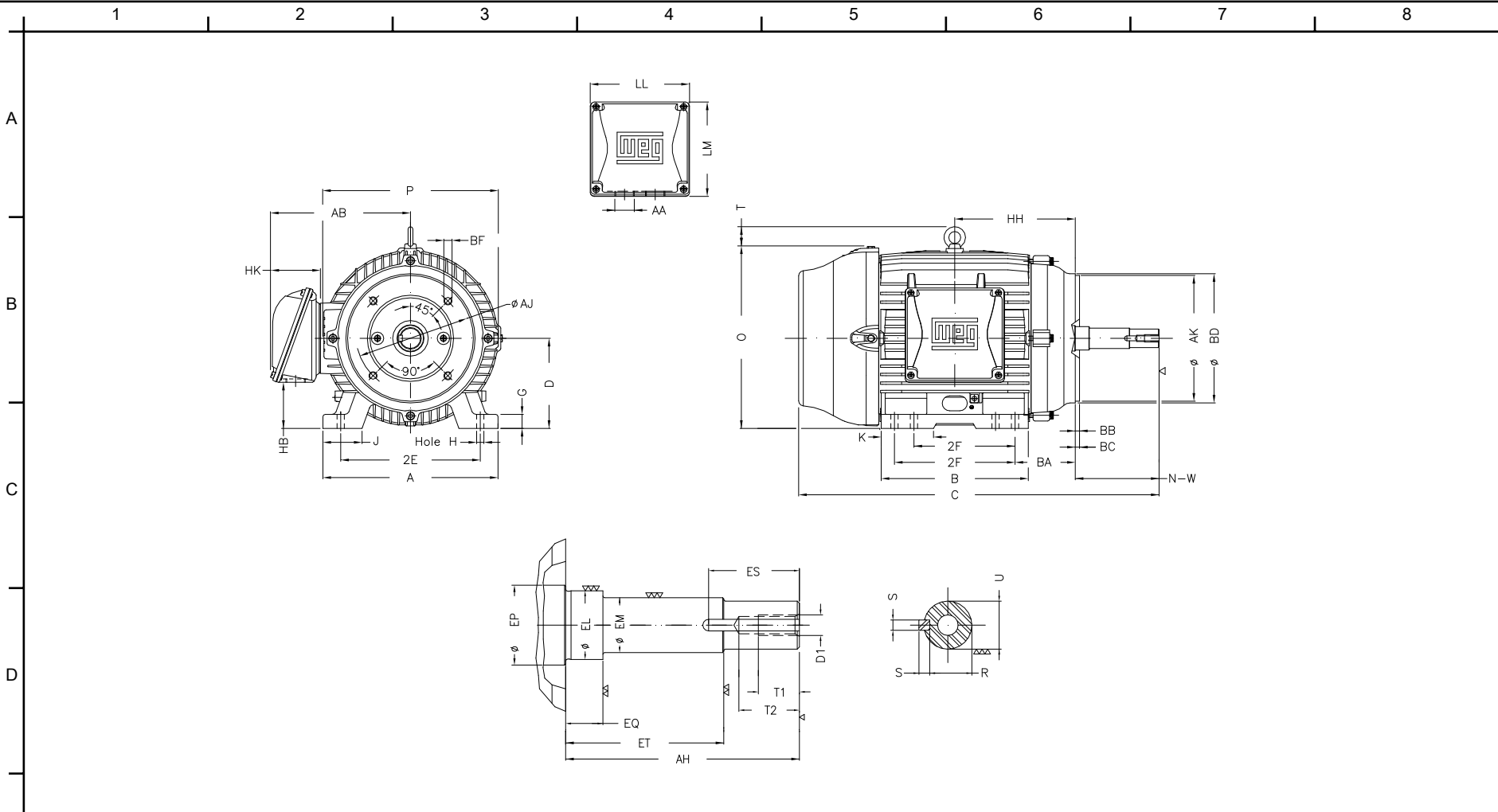
Customer :  
 Product line : Close Coupled Pump: Three-Phase - W22 "JM" Type - TEFC - High Efficiency

|                  |                    |  |         |
|------------------|--------------------|--|---------|
| Frame            | : 254/6JM          | Locked rotor current (I <sub>l</sub> /I <sub>n</sub> ) | : 6.2   |
| Output           | : 25 HP            | Duty cycle   | : S1    |
| Frequency        | : 60 Hz            | Service factor   | : 1.15  |
| Full load speed  | : 3515 rpm         | Design   | : B     |
| Voltage          | : 208-230/460 V    | Locked rotor torque                                    | : 200 % |
| Rated current    | : 62.8-56.8/28.4 A | Breakdown torque                                       | : 230 % |
| Insulation class | : F                |  |         |

Notes:  
 Downloaded from <http://dealerselectric.com>  
 Generated for Model #02536EP3E256JM-W22

Performed by

Checked



Notes: Downloaded from <http://dealerselectric.com>  
 Generated for Model #02536EP3E256JM-W22

|              |        |             |        |            |
|--------------|--------|-------------|--------|------------|
| 2E           | J      | A           | P      | AB         |
| 10.000       | 2.539  | 12.126      | 12.953 | 10.483     |
| 2F           | K      | B           | BA     | D          |
| 8.252/10.000 | 2.559  | 11.732      | 4.250  | 6.250      |
| G            | O      | T           | H      | AA         |
| 0.827        | 12.598 | 2.087       | 0.531  | NPT 1 1/2" |
| EQ           | ET     | U           | EM     | EL         |
| 0.630        | 3.006  | 1.249       | 1.375  | 1.750      |
| EP           | ES     | t1          | t2     | C          |
| 1.750        | 2.480  | 0.984       | 1.496  | 26.226     |
| d1           | HH     | HK          | HB     | LL         |
| EUNC 1/2"-13 | 9.250  | 3.976       | 3.061  | 7.815      |
| LM           | S      | R           | Flange | AJ         |
| 7.480        | 0.250  | 1.110       | FC-184 | 7.252      |
| AK           | BD     | BF          | BB     | AH         |
| 8.500        | 8.858  | UNC 1/2"x13 | 0.248  | 5.250      |

Performed by:

Checked:

Customer:

Close Coupled Pump: Three-Phase - W22 "JM" Type - TEFC - High Efficiency

Three-phase induction motor  
 Frame 254/6JM - IP55

23-SEP-2016



1 2 3 4 5 6 7 8

A  
B  
C  
D  
E  
F

LOW VOLTAGE

HIGH VOLTAGE



CONNECTIONS FOR STARTING ONLY:

LOW VOLTAGE

HIGH VOLTAGE



Notes: Downloaded from <http://dealerselectric.com>  
Generated for Model #02536EP3E256JM-W22

Performed by:

Checked:

Customer:

Close Coupled Pump: Three-Phase - W22 "JM" Type - TEFC - High Efficiency

Three-phase induction motor  
Frame 254/6JM - IP55

23-SEP-2016

