



Dealers Industrial Equipment

No.:

Date: 23-SEP-2016

Customer :

TECHNICAL PROPOSAL

Three-phase induction motor - Squirrel cage rotor

Product line : Three-Phase : Explosion Proof - High Efficiency

Catalog Number : 02518XP3ER284TC

List Price : \$3,257

Notes:

Downloaded from <http://dealerselectric.com>

Generated for Model #02518XP3ER284TC

Performed by:

Checked:



Dealers Industrial Equipment

No.:

Date: 23-SEP-2016

DATA SHEET Three-phase induction motor - Squirrel cage rotor

Customer :
Product line : Three-Phase : Explosion Proof - High Efficiency

Frame : 284T
Output : 25 HP
Frequency : 60 Hz
Poles : 4
Full load speed : 1760 rpm
Slip : 2.22 %
Voltage : 208-230/460 V
Rated current : 65.5-59.3/29.6 A
Locked rotor current : 361/181 A
Locked rotor current (I/In) : 6.1
No-load current : 16.0/8.00 A
Full load torque : 73.6 lb.ft
Locked rotor torque : 220 %
Breakdown torque : 250 %
Design : B
Insulation class : F
Temperature rise : 80 K
Locked rotor time : 25 s (hot)
Service factor : 1.15
Duty cycle : S1
Ambient temperature : -20°C - +40°C
Altitude : 1000 m
Degree of Protection : IP54
Approximate weight : 472 lb
Moment of inertia : 4.6826 sq.ft.lb
Noise level : 68 dB(A)

	D.E.	N.D.E.
Bearings	6311 2RS-C3	6211 2RS-C3
Regreasing interval	---	---
Grease amount	---	---

Load	Power factor	Efficiency (%)
100%	0.85	92.4
75%	0.82	92.4
50%	0.72	91.7

Notes:
Downloaded from <http://dealerselectric.com>
Generated for Model #02518XP3ER284TC

Performed by

Checked



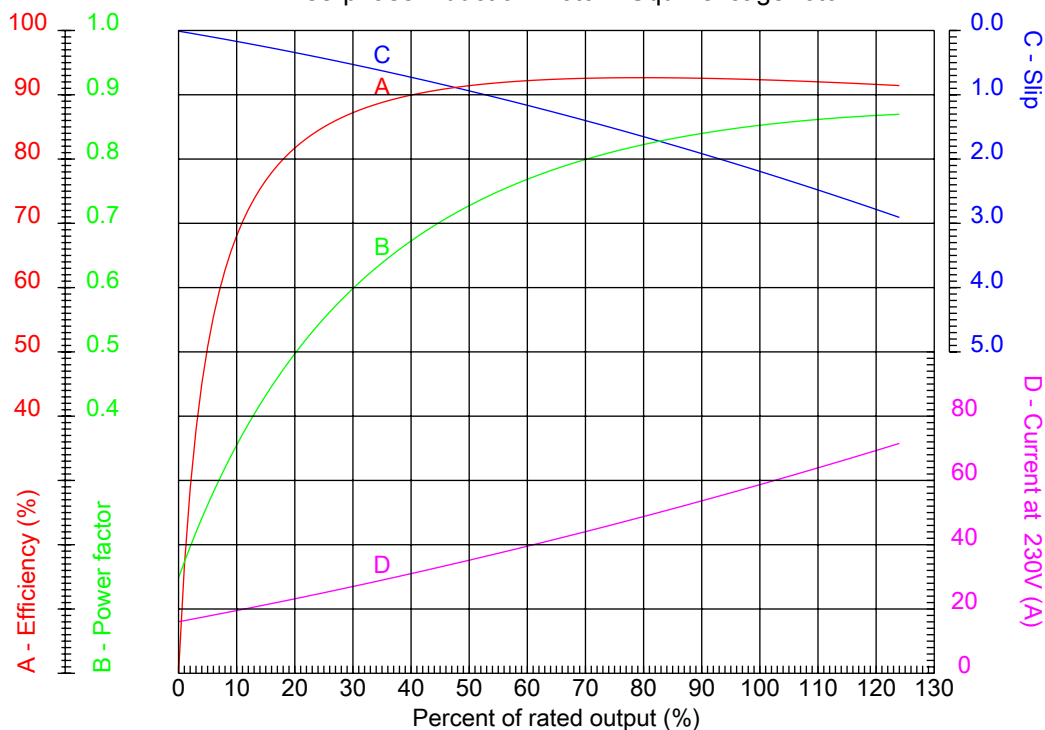
Dealers Industrial Equipment

No.:

Date: 23-SEP-2016

PERFORMANCE CURVES RELATED TO RATED OUTPUT

Three-phase induction motor - Squirrel cage rotor



Customer :
Product line : Three-Phase : Explosion Proof - High Efficiency

Frame	: 284T	Locked rotor current (I _L /I _n)	: 6.1
Output	: 25 HP	Duty cycle	: S1
Frequency	: 60 Hz	Service factor	: 1.15
Full load speed	: 1760 rpm	Design	: B
Voltage	: 208-230/460 V	Locked rotor torque	: 220 %
Rated current	: 65.5-59.3/29.6 A	Breakdown torque	: 250 %
Insulation class	: F		

Notes:
Downloaded from <http://dealerselectric.com>
Generated for Model #02518XP3ER284TC

Performed by

Checked



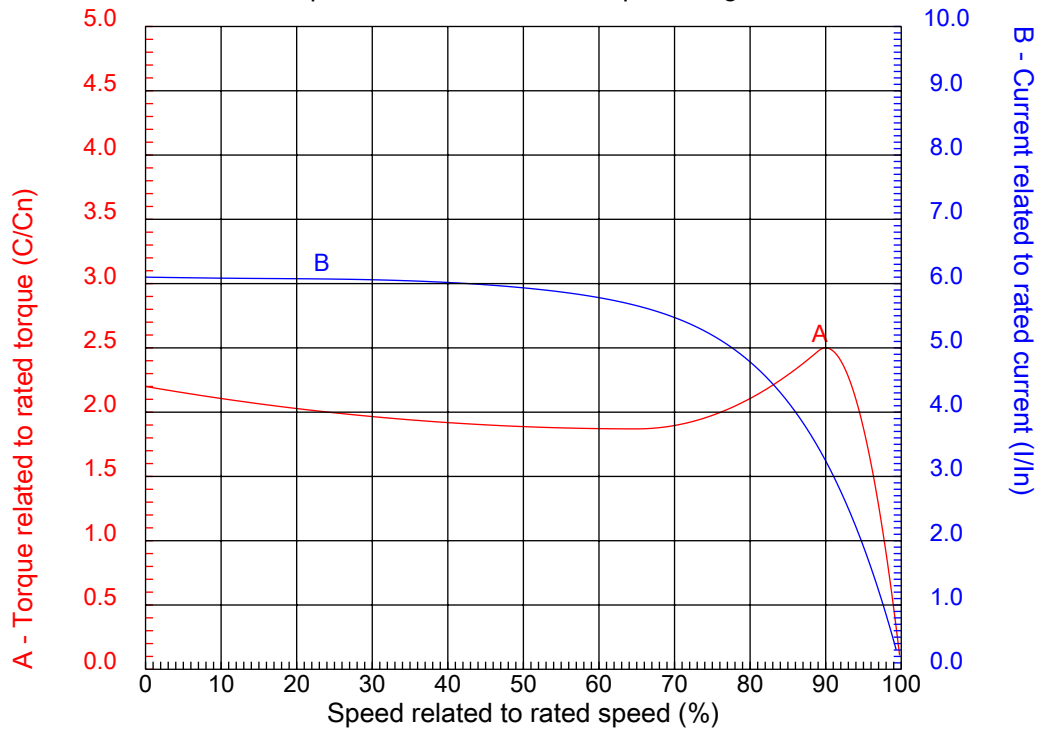
Dealers Industrial Equipment

No.:

Date: 23-SEP-2016

CHARACTERISTIC CURVES RELATED TO SPEED

Three-phase induction motor - Squirrel cage rotor



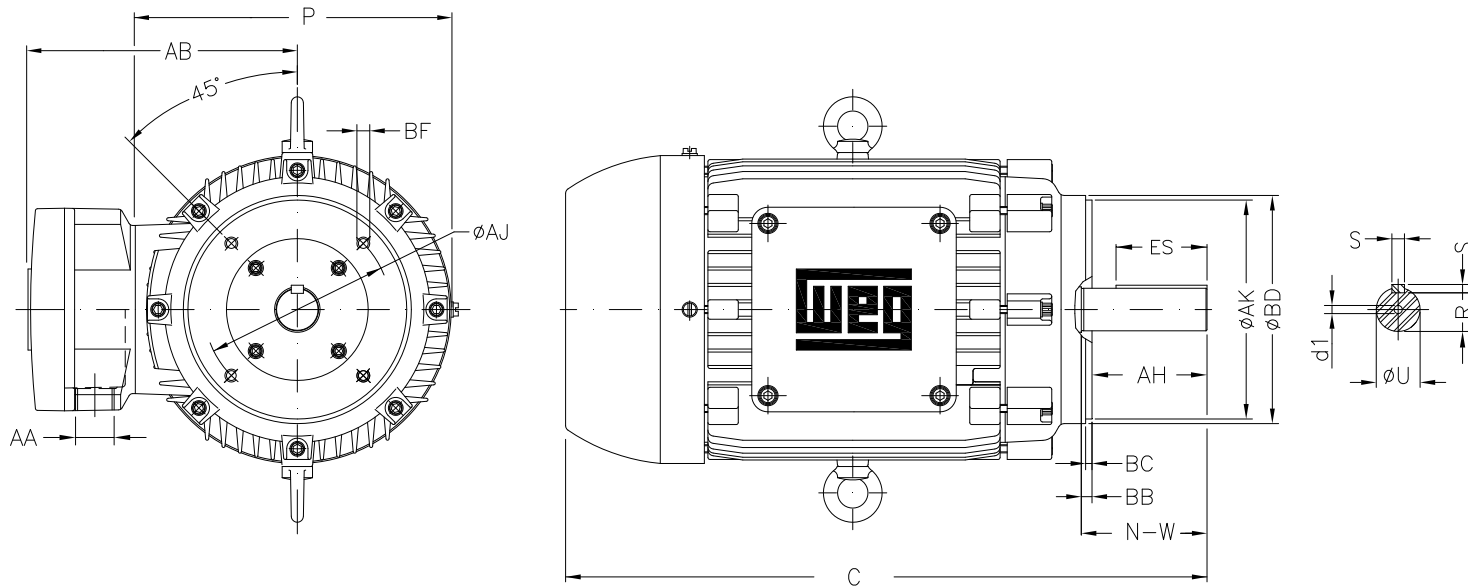
Customer :
Product line : Three-Phase : Explosion Proof - High Efficiency

Frame	: 284T	Locked rotor current (I _l /I _n)	: 6.1
Output	: 25 HP	Duty cycle	: S1
Frequency	: 60 Hz	Service factor	: 1.15
Full load speed	: 1760 rpm	Design	: B
Voltage	: 208-230/460 V	Locked rotor torque	: 220 %
Rated current	: 65.5-59.3/29.6 A	Breakdown torque	: 250 %
Insulation class	: F		

Notes:
Downloaded from <http://dealerselectric.com>
Generated for Model #02518XP3ER284TC

Performed by

Checked



Notes: Downloaded from <http://dealerselectric.com>
 Generated for Model #02518XP3ER284TC

Performed by:

Checked:

Customer:

Three-Phase : Explosion Proof - High Efficiency

P	ES	S	depth	N-W
14.094	3.149	0.500	0.500	4.622
U	R	AB	C	AA
1.875	1.594	11.850	26.407	NPT 1 1/2"
d1	d2	Flange	AJ	AK
A 4	A 4	FC-228	9.000	10.500
BD	BF	BB	BC	AH
11.031	UNC 1/2"x13	0.250	0.250	4.375

Three-phase induction motor
 Frame 284T - IP54

23-SEP-2016

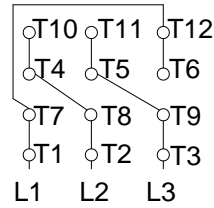


1 2 3 4 5 6 7 8

A
B
C
D
E
F

LOW VOLTAGE

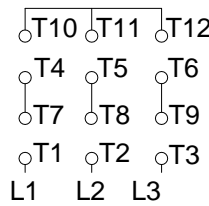
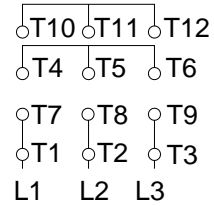
HIGH VOLTAGE



CONNECTIONS FOR STARTING ONLY:

LOW VOLTAGE

HIGH VOLTAGE



Notes: Downloaded from <http://dealerselectric.com>
Generated for Model #02518XP3ER284TC

Performed by:

Checked:

Customer:

Three-Phase : Explosion Proof - High Efficiency

Three-phase induction motor
Frame 284T - IP54

23-SEP-2016

