



Dealers Industrial Equipment

No.:

Date: 23-SEP-2016

Customer :

TECHNICAL PROPOSAL

Three-phase induction motor - Squirrel cage rotor

Product line : ODP – Open Induction Motors – NEMA Premium Efficiency

Catalog Number : 02518OT3E284TS

List Price : \$2,160

Notes:

Downloaded from <http://dealerselectric.com>

Generated for Model #02518OT3E284TS

Performed by:

Checked:



Dealers Industrial Equipment

No.:

Date: 23-SEP-2016

DATA SHEET Three-phase induction motor - Squirrel cage rotor

Customer :
 Product line : ODP – Open Induction Motors – NEMA Premium Efficiency

Frame : 284TS
 Output : 25 HP
 Frequency : 60 Hz
 Poles : 4
 Full load speed : 1770 rpm
 Slip : 1.67 %
 Voltage : 208-230/460 V
 Rated current : 66.1-59.8/29.9 A
 Locked rotor current : 401/200 A
 Locked rotor current (I_L/I_n) : 6.7
 No-load current : 24.0/12.0 A
 Full load torque : 73.2 lb.ft
 Locked rotor torque : 250 %
 Breakdown torque : 280 %
 Design : B
 Insulation class : F
 Temperature rise : 80 K
 Locked rotor time : 15 s (hot)
 Service factor : 1.15
 Duty cycle : S1
 Ambient temperature : -20°C - +40°C
 Altitude : 1000 m
 Degree of Protection : IP23
 Approximate weight : 342 lb
 Moment of inertia : 3.4055 sq.ft.lb
 Noise level : 62 dB(A)

	D.E.	N.D.E.
Bearings	6311 Z-C3	6211 Z-C3
Regreasing interval	20000 h	20000 h
Grease amount	18 g	11 g

Load	Power factor	Efficiency (%)
100%	0.83	93.6
75%	0.78	93.0
50%	0.67	92.4

Notes:
 Downloaded from <http://dealerselectric.com>
 Generated for Model #02518OT3E284TS

Performed by

Checked



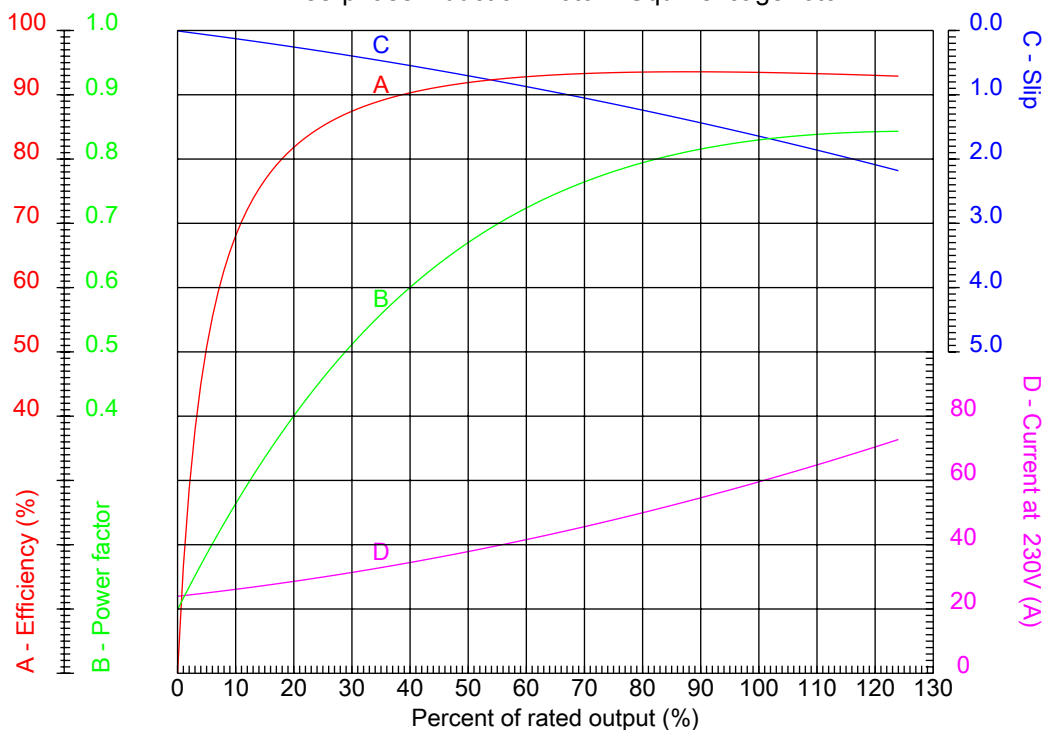
Dealers Industrial Equipment

No.:

Date: 23-SEP-2016

PERFORMANCE CURVES RELATED TO RATED OUTPUT

Three-phase induction motor - Squirrel cage rotor



Customer :
 Product line : ODP – Open Induction Motors – NEMA Premium Efficiency

Frame	: 284TS	Locked rotor current (I _l /I _n)	: 6.7
Output	: 25 HP	Duty cycle	: S1
Frequency	: 60 Hz	Service factor	: 1.15
Full load speed	: 1770 rpm	Design	: B
Voltage	: 208-230/460 V	Locked rotor torque	: 250 %
Rated current	: 66.1-59.8/29.9 A	Breakdown torque	: 280 %
Insulation class	: F		

Notes:
 Downloaded from <http://dealerselectric.com>
 Generated for Model #02518OT3E284TS

Performed by

Checked



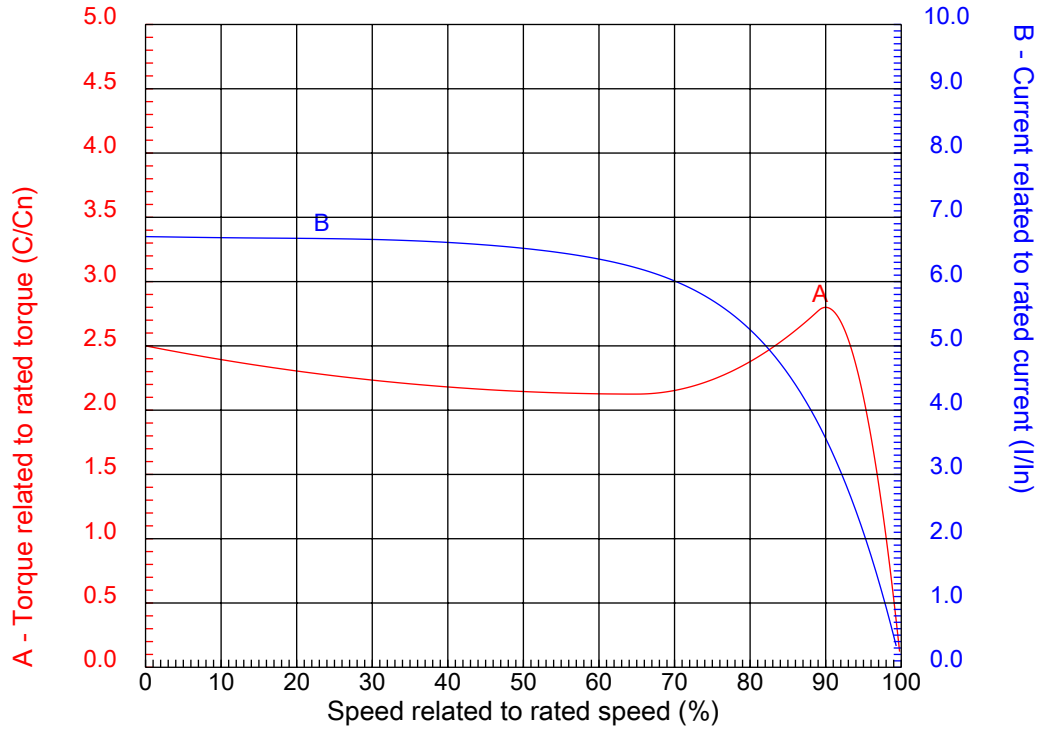
Dealers Industrial Equipment

No.:

Date: 23-SEP-2016

CHARACTERISTIC CURVES RELATED TO SPEED

Three-phase induction motor - Squirrel cage rotor



Customer	:	
Product line	:	ODP – Open Induction Motors – NEMA Premium Efficiency

Frame	: 284TS	Locked rotor current (I _l /I _n)	: 6.7
Output	: 25 HP	Duty cycle	: S1
Frequency	: 60 Hz	Service factor	: 1.15
Full load speed	: 1770 rpm	Design	: B
Voltage	: 208-230/460 V	Locked rotor torque	: 250 %
Rated current	: 66.1-59.8/29.9 A	Breakdown torque	: 280 %
Insulation class	: F		

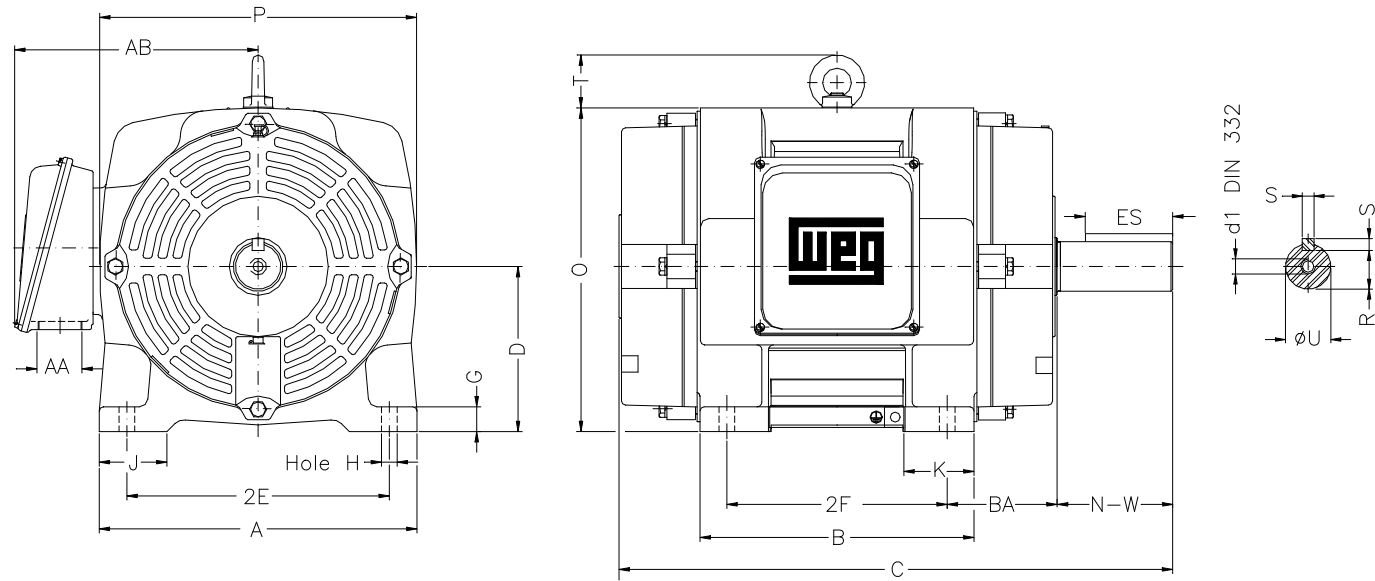
Notes:
 Downloaded from <http://dealerselectric.com>
 Generated for Model #02518OT3E284TS

Performed by

Checked

1 2 3 4 5 6 7 8

A
B
C
D
E
F



Notes: Downloaded from <http://dealerselectric.com>
Generated for Model #025180T3E284TS

Performed by:

Checked:

Customer:

ODP – Open Induction Motors – NEMA Premium Efficiency

2E 11.000	J 3.150	A 13.780	P 13.700	AB 10.886
2F 9.500	K 2.960	B 11.574	BA 4.750	U 1.625
d1 A 4 0.375	N-W 3.250	ES 2.480	S 0.375	R 1.416
depth 0.375	D 7.000	G 1.102	O 13.858	T 2.165
H 0.531	C 22.000	AA NPT 1 1/2"		

Three-phase induction motor
Frame 284TS - IP23

23-SEP-2016



1 2 3 4 5 6 7 8

A
B
C
D
E
F

LOW VOLTAGE

HIGH VOLTAGE



CONNECTIONS FOR STARTING ONLY:

LOW VOLTAGE

HIGH VOLTAGE



Notes: Downloaded from <http://dealerselectric.com>
Generated for Model #02518OT3E284TS

Performed by:

Checked:

Customer:

ODP – Open Induction Motors – NEMA Premium Efficiency

Three-phase induction motor
Frame 284TS - IP23

23-SEP-2016

