



Dealers Industrial Equipment

No.:

Date: 23-SEP-2016

Customer :

TECHNICAL PROPOSAL

Three-phase induction motor - Squirrel cage rotor

Product line : ODP General Purpose

Catalog Number : 02518OT3E284T-G

List Price : \$2,470

Notes:

Downloaded from <http://dealerselectric.com>

Generated for Model #02518OT3E284T-G

Performed by:

Checked:



Dealers Industrial Equipment

No.:

Date: 23-SEP-2016

DATA SHEET Three-phase induction motor - Squirrel cage rotor

Customer :
Product line : ODP General Purpose

Frame : 284T
Output : 25 HP
Frequency : 60 Hz
Poles : 4
Full load speed : 1770 rpm
Slip : 1.67 %
Voltage : 208-230/460 V
Rated current : 66.1-59.8/29.9 A
Locked rotor current : 401/200 A
Locked rotor current (I_L/I_n) : 6.7
No-load current : 24.0/12.0 A
Full load torque : 73.2 lb.ft
Locked rotor torque : 250 %
Breakdown torque : 280 %
Design : B
Insulation class : F
Temperature rise : 80 K
Locked rotor time : 15 s (hot)
Service factor : 1.15
Duty cycle : S1
Ambient temperature : -20°C - +40°C
Altitude : 1000 m
Degree of Protection : IP23
Approximate weight : 362 lb
Moment of inertia : 3.4055 sq.ft.lb
Noise level : 62 dB(A)

	D.E.	N.D.E.
Bearings	6311 Z-C3	6211 Z-C3
Regreasing interval	20000 h	20000 h
Grease amount	18 g	11 g

Load	Power factor	Efficiency (%)
100%	0.83	93.6
75%	0.78	93.0
50%	0.67	92.4

Notes:
Downloaded from <http://dealerselectric.com>
Generated for Model #02518OT3E284T-G

Performed by

Checked



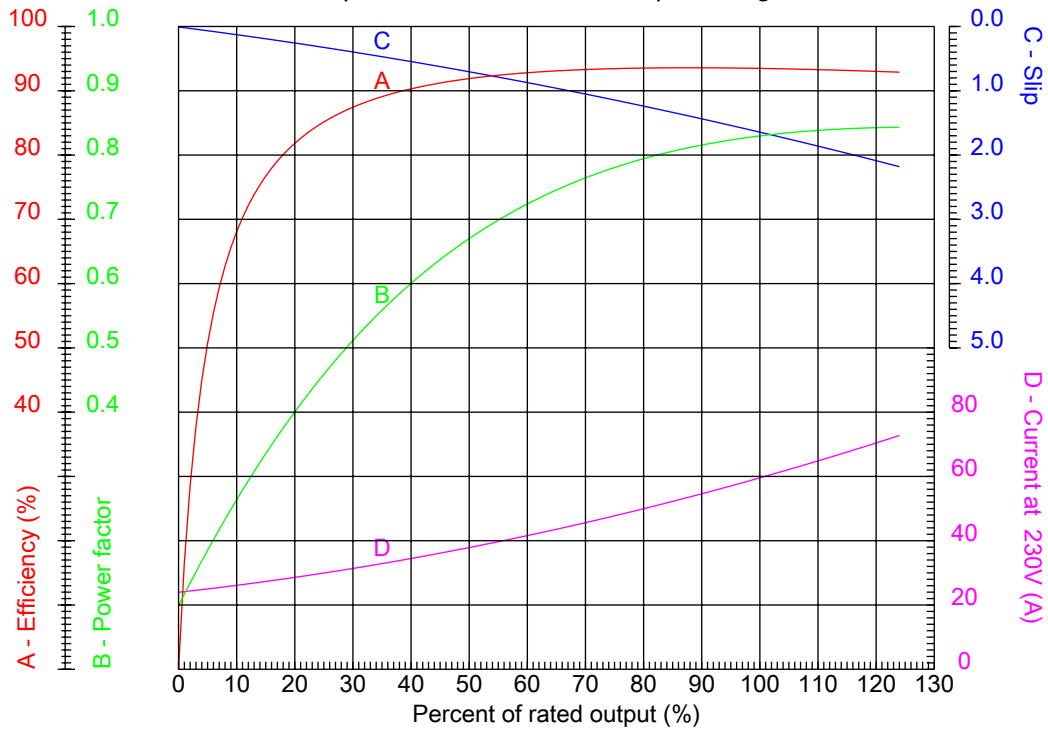
Dealers Industrial Equipment

No.:

Date: 23-SEP-2016

PERFORMANCE CURVES RELATED TO RATED OUTPUT

Three-phase induction motor - Squirrel cage rotor



Customer :
Product line : ODP General Purpose

Frame : 284T	Locked rotor current (I _l /I _n) : 6.7
Output : 25 HP	Duty cycle : S1
Frequency : 60 Hz	Service factor : 1.15
Full load speed : 1770 rpm	Design : B
Voltage : 208-230/460 V	Locked rotor torque : 250 %
Rated current : 66.1-59.8/29.9 A	Breakdown torque : 280 %
Insulation class : F	

Notes:
Downloaded from <http://dealerselectric.com>
Generated for Model #02518OT3E284T-G

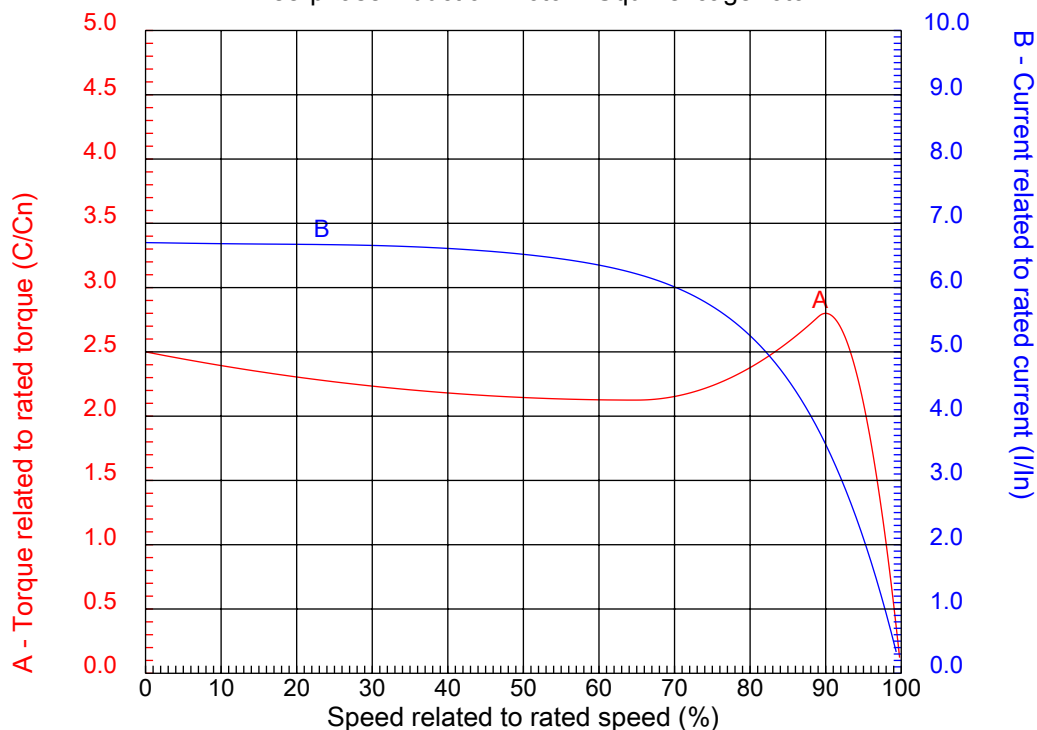
Performed by

Checked



CHARACTERISTIC CURVES RELATED TO SPEED

Three-phase induction motor - Squirrel cage rotor



Customer :
Product line : ODP General Purpose

Frame	: 284T	Locked rotor current (I _l /I _n)	: 6.7
Output	: 25 HP	Duty cycle	: S1
Frequency	: 60 Hz	Service factor	: 1.15
Full load speed	: 1770 rpm	Design	: B
Voltage	: 208-230/460 V	Locked rotor torque	: 250 %
Rated current	: 66.1-59.8/29.9 A	Breakdown torque	: 280 %
Insulation class	: F		

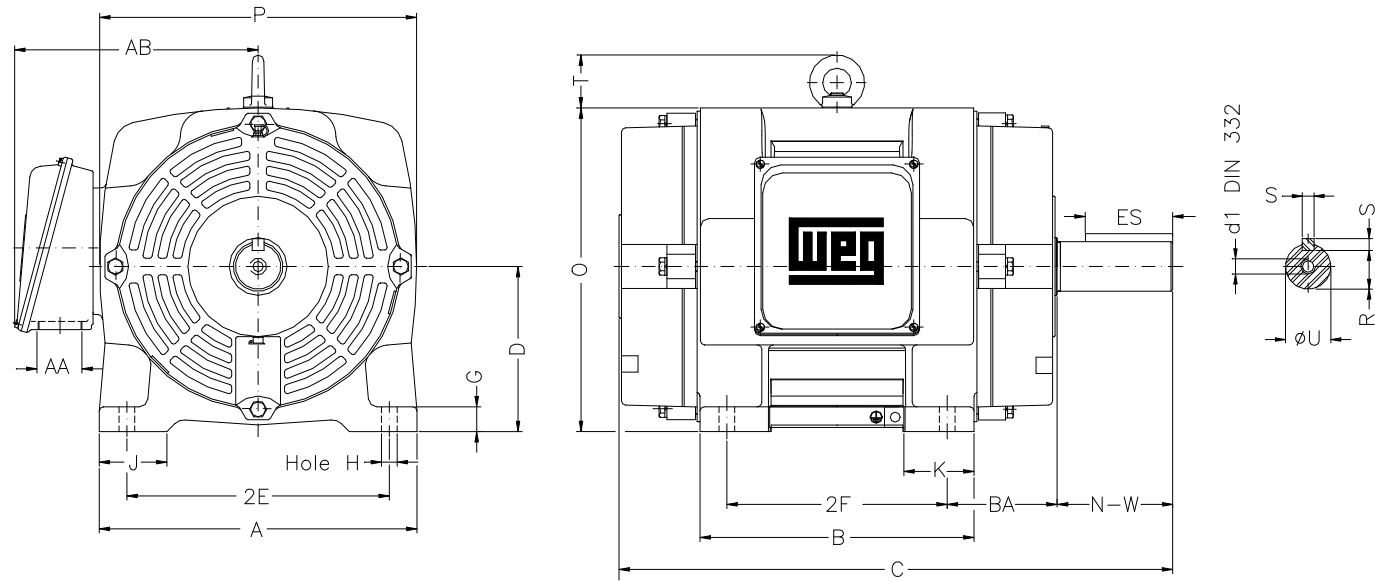
Notes:
Downloaded from <http://dealerselectric.com>
Generated for Model #02518OT3E284T-G

Performed by

Checked

1 2 3 4 5 6 7 8

A
B
C
D
E
F



Notes: Downloaded from <http://dealerselectric.com>
Generated for Model #025180T3E284T-G

Performed by:

Checked:

Customer:

ODP General Purpose

Three-phase induction motor
Frame 284T - IP23

23-SEP-2016



2E 11.000	A 13.780	2F 9.500	B 11.574	BA 4.750
J 3.150	K 2.960	P 13.700	ES 3.149	depth 0.500
S 0.500	D 7.000	N-W 4.622	G 1.102	U 1.875
O 13.858	T 2.165	R 1.594	H 0.531	AB 10.886
C 23.386	AA NPT 1 1/2"	d1 A 4		

1 2 3 4 5 6 7 8

A
B
C
D
E
F

LOW VOLTAGE

HIGH VOLTAGE



CONNECTIONS FOR STARTING ONLY:

LOW VOLTAGE

HIGH VOLTAGE



Notes: Downloaded from <http://dealerselectric.com>
Generated for Model #02518OT3E284T-G

Performed by:

Checked:

Customer:

ODP General Purpose

Three-phase induction motor
Frame 284T - IP23

23-SEP-2016

