



# Dealers Industrial Equipment

No.:

Date: 23-SEP-2016

Customer :

## TECHNICAL PROPOSAL

### Three-phase induction motor - Squirrel cage rotor

Product line : W22 NEMA Premium - Ball Bearings

Catalog Number : 02518ET3H284TC-W22

List Price : \$2,840

#### Notes:

Downloaded from <http://dealerselectric.com>

Generated for Model #02518ET3H284TC-W22

Performed by:

Checked:



# Dealers Industrial Equipment

No.:

Date: 23-SEP-2016

## DATA SHEET Three-phase induction motor - Squirrel cage rotor

Customer :  
 Product line : W22 NEMA Premium - Ball Bearings

Frame : 284/6T  
 Output : 25 HP  
 Frequency : 60 Hz  
 Poles : 4  
 Full load speed : 1765 rpm  
 Slip : 1.94 %  
 Voltage : 575 V  
 Rated current : 23.6 A  
 Locked rotor current : 146 A  
 Locked rotor current (I<sub>L</sub>/I<sub>n</sub>) : 6.2  
 No-load current : 8.40 A  
 Full load torque : 73.4 lb.ft  
 Locked rotor torque : 240 %  
 Breakdown torque : 270 %  
 Design : B  
 Insulation class : F  
 Temperature rise : 80 K  
 Locked rotor time : 24 s (hot)  
 Service factor : 1.25  
 Duty cycle : S1  
 Ambient temperature : -20°C - +40°C  
 Altitude : 1000 m  
 Degree of Protection : IP55  
 Approximate weight : 388 lb  
 Moment of inertia : 5.1084 sq.ft.lb  
 Noise level : 64 dB(A)

	D.E.	N.D.E.
Bearings	6311 C3	6211 C3
Regreasing interval	20000 h	20000 h
Grease amount	18 g	11 g

Load	Power factor	Efficiency (%)
100%	0.84	93.6
75%	0.80	93.0
50%	0.70	92.4

Notes:  
 Downloaded from <http://dealerselectric.com>  
 Generated for Model #02518ET3H284TC-W22

Performed by

Checked



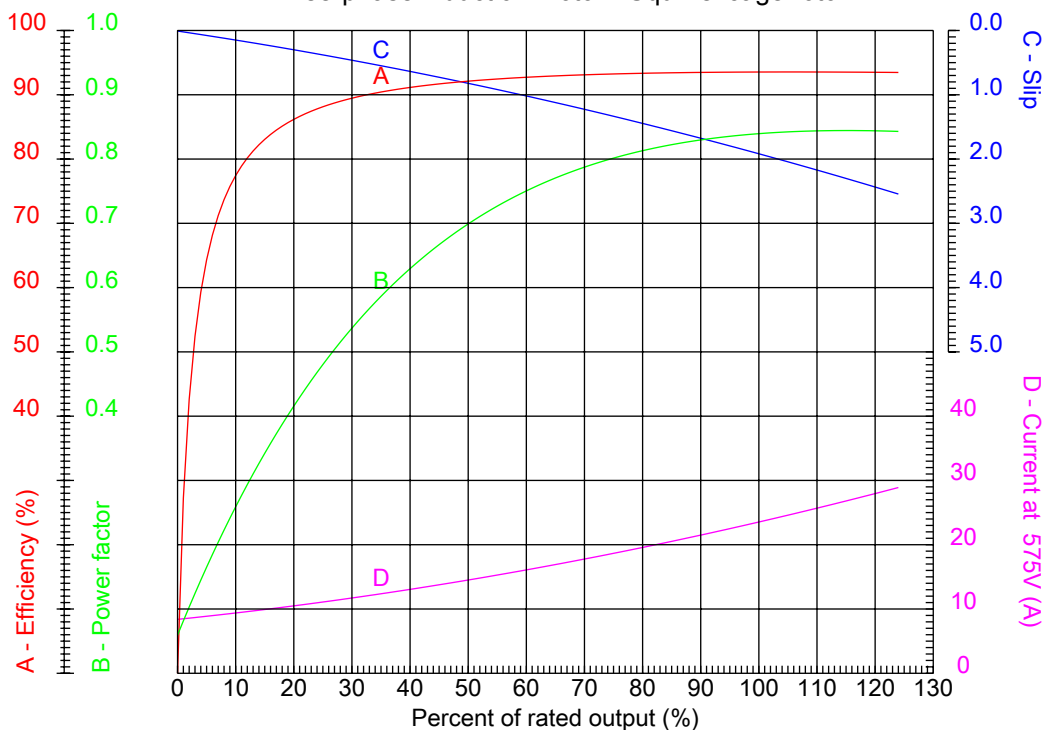
# Dealers Industrial Equipment

No.:

Date: 23-SEP-2016

## PERFORMANCE CURVES RELATED TO RATED OUTPUT

Three-phase induction motor - Squirrel cage rotor



Customer :  
Product line : W22 NEMA Premium - Ball Bearings

Frame	: 284/6T	Locked rotor current (I <sub>L</sub> /I <sub>n</sub> )	: 6.2
Output	: 25 HP	Duty cycle	: S1
Frequency	: 60 Hz	Service factor	: 1.25
Full load speed	: 1765 rpm	Design	: B
Voltage	: 575 V	Locked rotor torque	: 240 %
Rated current	: 23.6 A	Breakdown torque	: 270 %
Insulation class	: F		

Notes:  
Downloaded from <http://dealerselectric.com>  
Generated for Model #02518ET3H284TC-W22

Performed by

Checked



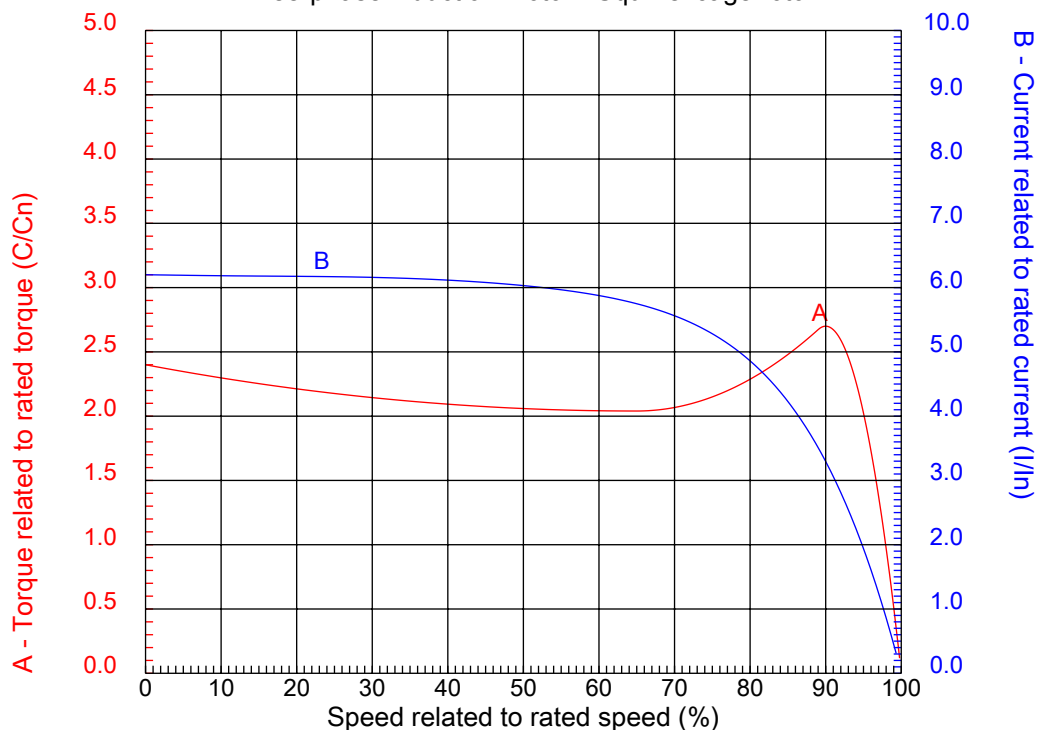
# Dealers Industrial Equipment

No.:

Date: 23-SEP-2016

## CHARACTERISTIC CURVES RELATED TO SPEED

Three-phase induction motor - Squirrel cage rotor



Customer :  
Product line : W22 NEMA Premium - Ball Bearings

Frame	: 284/6T	Locked rotor current (I <sub>l</sub> /I <sub>n</sub> )	: 6.2
Output	: 25 HP	Duty cycle	: S1
Frequency	: 60 Hz	Service factor	: 1.25
Full load speed	: 1765 rpm	Design	: B
Voltage	: 575 V	Locked rotor torque	: 240 %
Rated current	: 23.6 A	Breakdown torque	: 270 %
Insulation class	: F		

Notes:  
Downloaded from <http://dealerselectric.com>  
Generated for Model #02518ET3H284TC-W22

Performed by

Checked

1 2 3 4 5 6 7 8

A

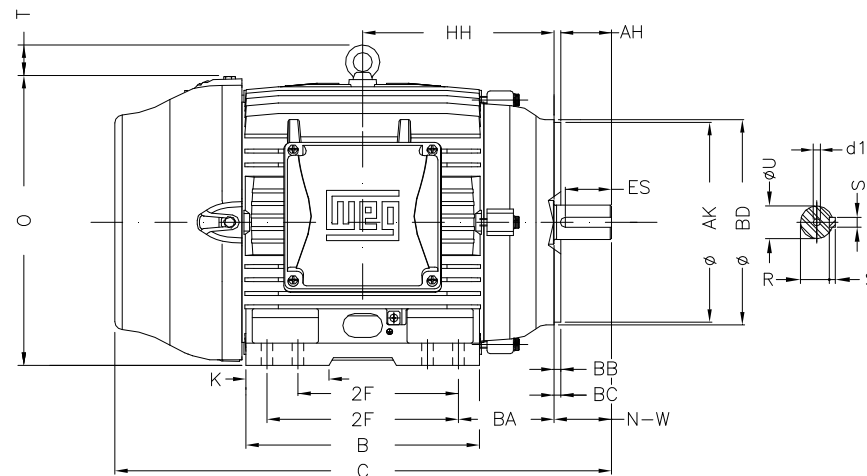
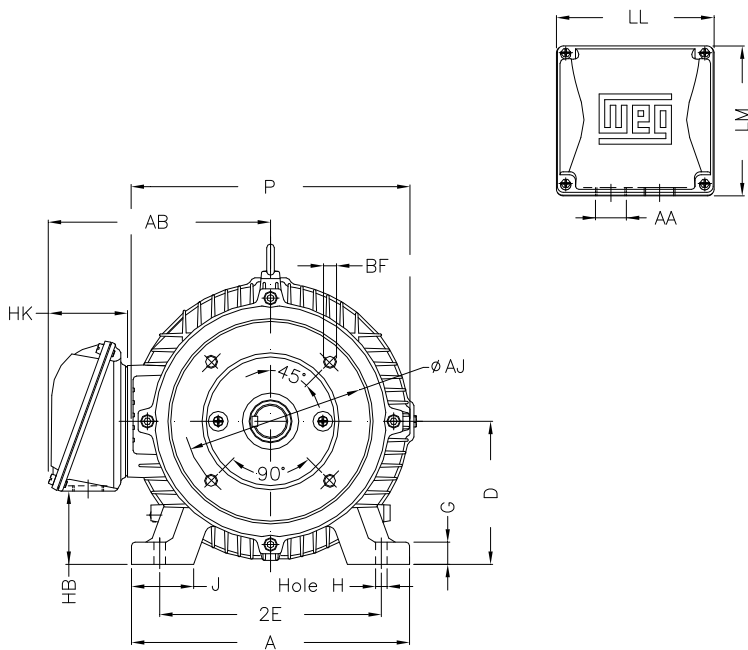
B

C

D

E

F



Notes: Downloaded from <http://dealerselectric.com>  
Generated for Model #02518ET3H284TC-W22

Performed by:

Checked:

Customer:

W22 NEMA Premium - Ball Bearings

Three-phase induction motor  
Frame 284/6T - IP55

23-SEP-2016



2E	J	A	P	AB
11.000	3.071	13.780	14.173	11.073
2F	K	B	BA	FBA
9.500/11.000	3.583	13.071	4.750	7.876
U	N-W	ES	S	R
1.875	4.622	3.149	0.500	1.594
depth	D	G	HB	O
0.500	7.000	1.023	3.535	14.067
T	HF	HH	HK	H
2.087	7.000	10.250	3.976	0.531
C	LL	LM	AA	d1
27.929	7.815	7.480	NPT 1 1/2"	A 4
Flange	AJ	AK	BD	BF
FC-228	9.000	10.500	11.03	UNC 1/2"x13
BB	BC	AH		
0.250	0.250	4.375		

1 2 3 4 5 6 7 8

A  
B  
C  
D  
E  
F

### RUN



### ONLY FOR START



Notes: Downloaded from <a href="http://dealerselectric.com">http://dealerselectric.com</a> Generated for Model #02518ET3H284TC-W22		
Performed by:		
Checked:		
Customer:		
W22 NEMA Premium - Ball Bearings		
Three-phase induction motor Frame 284/6T - IP55	23-SEP-2016	