



Dealers Industrial Equipment

No.:

Date: 23-SEP-2016

Customer :

TECHNICAL PROPOSAL

Three-phase induction motor - Squirrel cage rotor

Product line : W22 High Efficiency

Catalog Number : 02518EP3ER284TC-W22

List Price : \$2,294

Notes:

Downloaded from <http://dealerselectric.com>

Generated for Model #02518EP3ER284TC-W22

Performed by:

Checked:



Dealers Industrial Equipment

No.:

Date: 23-SEP-2016

DATA SHEET Three-phase induction motor - Squirrel cage rotor

Customer :
Product line : W22 High Efficiency

Frame : 284T
Output : 25 HP
Frequency : 60 Hz
Poles : 4
Full load speed : 1760 rpm
Slip : 2.22 %
Voltage : 230/460 V
Rated current : 58.4/29.2 A
Locked rotor current : 356/178 A
Locked rotor current (I_L/I_n) : 6.1
No-load current : 22.0/11.0 A
Full load torque : 73.6 lb.ft
Locked rotor torque : 220 %
Breakdown torque : 240 %
Design : B
Insulation class : F
Temperature rise : 80 K
Locked rotor time : 23 s (hot)
Service factor : 1.25
Duty cycle : S1
Ambient temperature : -20°C - +40°C
Altitude : 1000 m
Degree of Protection : IP55
Approximate weight : 388 lb
Moment of inertia : 5.1084 sq.ft.lb
Noise level : 64 dB(A)

	D.E.	N.D.E.
Bearings	6311 C3	6211 C3
Regreasing interval	20000 h	20000 h
Grease amount	18 g	11 g

Load	Power factor	Efficiency (%)
100%	0.86	92.4
75%	0.82	92.4
50%	0.73	91.7

Notes:
Downloaded from <http://dealerselectric.com>
Generated for Model #02518EP3ER284TC-W22

Performed by

Checked



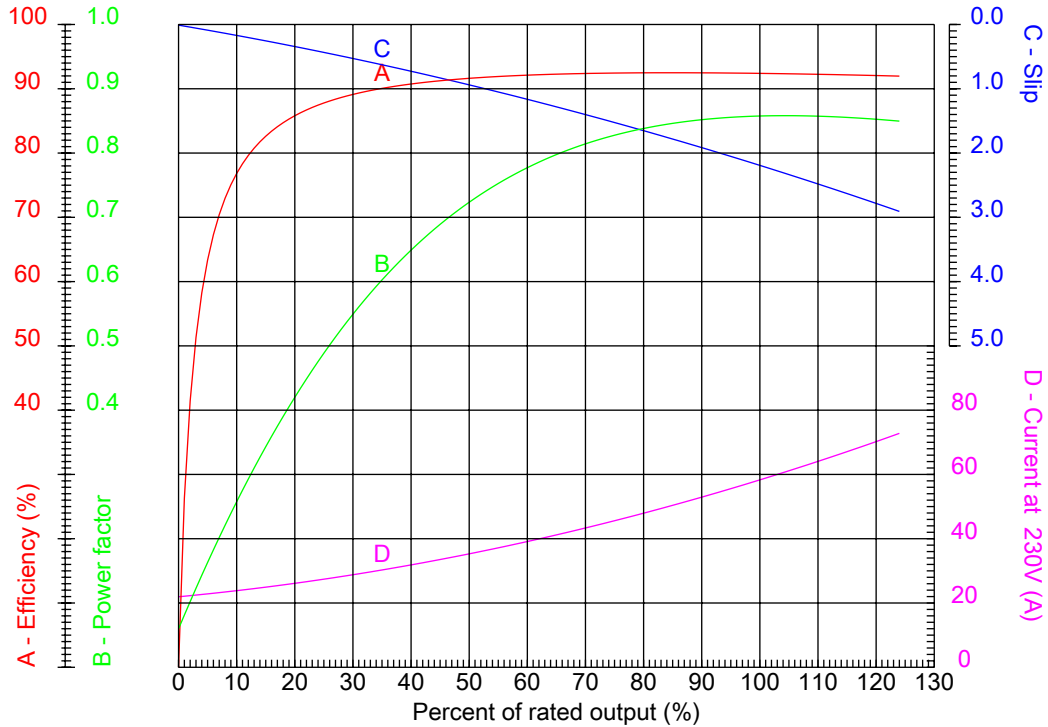
Dealers Industrial Equipment

No.:

Date: 23-SEP-2016

PERFORMANCE CURVES RELATED TO RATED OUTPUT

Three-phase induction motor - Squirrel cage rotor



Customer :
 Product line : W22 High Efficiency

Frame : 284T	Locked rotor current (I _l /I _n) : 6.1
Output : 25 HP	Duty cycle : S1
Frequency : 60 Hz	Service factor : 1.25
Full load speed : 1760 rpm	Design : B
Voltage : 230/460 V	Locked rotor torque : 220 %
Rated current : 58.4/29.2 A	Breakdown torque : 240 %
Insulation class : F	

Notes:
 Downloaded from <http://dealerselectric.com>
 Generated for Model #02518EP3ER284TC-W22

Performed by

Checked



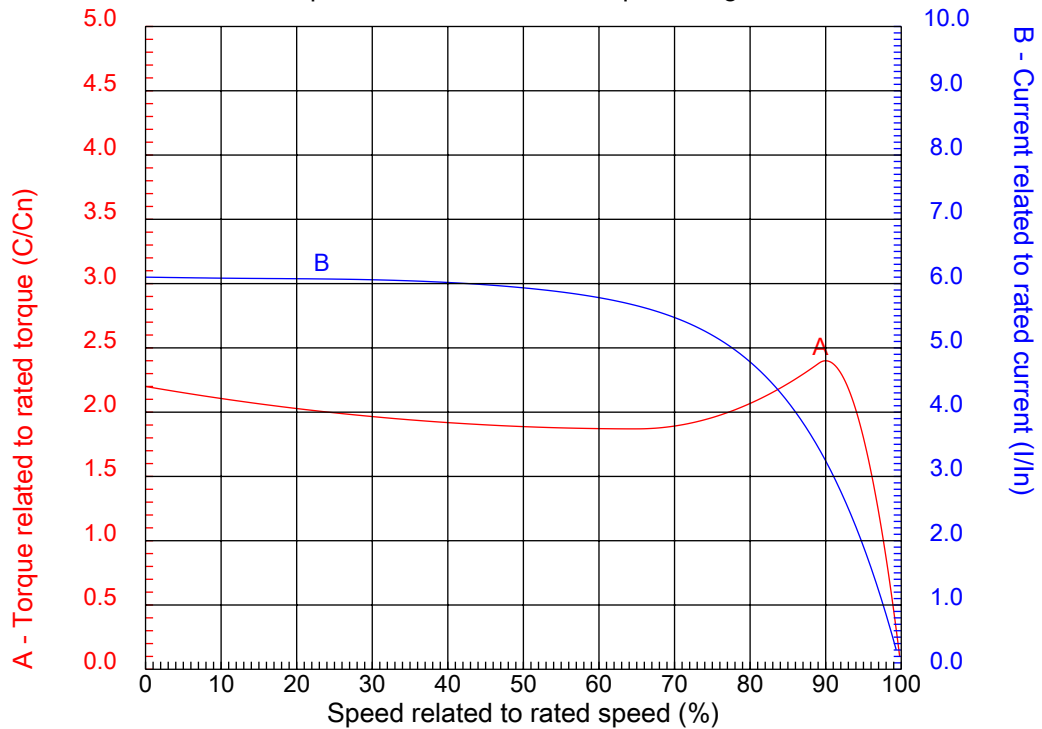
Dealers Industrial Equipment

No.:

Date: 23-SEP-2016

CHARACTERISTIC CURVES RELATED TO SPEED

Three-phase induction motor - Squirrel cage rotor



Customer :
Product line : W22 High Efficiency

Frame	: 284T	Locked rotor current (I _l /I _n)	: 6.1
Output	: 25 HP	Duty cycle	: S1
Frequency	: 60 Hz	Service factor	: 1.25
Full load speed	: 1760 rpm	Design	: B
Voltage	: 230/460 V	Locked rotor torque	: 220 %
Rated current	: 58.4/29.2 A	Breakdown torque	: 240 %
Insulation class	: F		

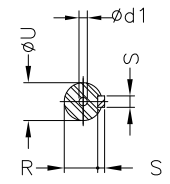
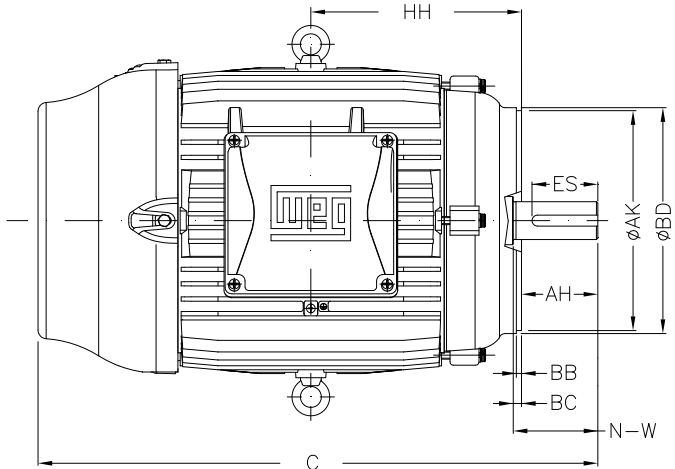
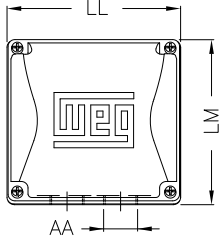
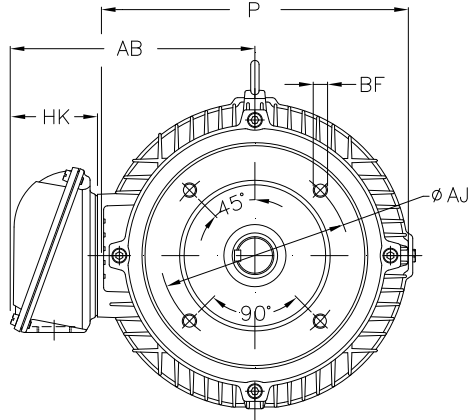
Notes:
Downloaded from <http://dealerselectric.com>
Generated for Model #02518EP3ER284TC-W22

Performed by

Checked

1 2 3 4 5 6 7 8

A
B
C
D
E
F



Notes: Downloaded from <http://dealerselectric.com>
Generated for Model #02518EP3ER284TC-W22

Performed by:

Checked:

Customer:

W22 High Efficiency

P	AB	U	N-W	ES
14.173	11.073	1.875	4.622	3.149
S	R	depth	HH	HK
0.500	1.594	0.500	9.500	3.976
C	LL	LM	AA	d1
26.433	7.815	7.480	NPT 1 1/2"	A 4
Flange FC-228	AJ	AK	BD	BF
	9.000	10.500	11.03	UNC 1/2"x13
BB	BC	AH		
0.250	0.250	4.375		

Three-phase induction motor
Frame 284T - IP55

23-SEP-2016



1 2 3 4 5 6 7 8

A
B
C
D
E
F

LOW VOLTAGE

HIGH VOLTAGE



CONNECTIONS FOR STARTING ONLY:

LOW VOLTAGE

HIGH VOLTAGE



Notes: Downloaded from <http://dealerselectric.com>
Generated for Model #02518EP3ER284TC-W22

Performed by:

Checked:

Customer:

W22 High Efficiency

Three-phase induction motor
Frame 284T - IP55

23-SEP-2016

