



Dealers Industrial Equipment

No.:

Date: 23-SEP-2016

Customer :

TECHNICAL PROPOSAL

Three-phase induction motor - Squirrel cage rotor

Product line : Close Coupled Pump: Three-Phase - W22 "JM" Type - TEFC - High Efficiency

Catalog Number : 02518EP3E284JM-W22

List Price : \$>(discontinued)

Notes:

Downloaded from <http://dealerselectric.com>

Generated for Model #02518EP3E284JM-W22

Performed by:

Checked:



Dealers Industrial Equipment

No.:

Date: 23-SEP-2016

DATA SHEET

Three-phase induction motor - Squirrel cage rotor

Customer :
 Product line : Close Coupled Pump: Three-Phase - W22 "JM" Type - TEFC - High Efficiency

Frame : 284JM
 Output : 25 HP
 Frequency : 60 Hz
 Poles : 4
 Full load speed : 1760 rpm
 Slip : 2.22 %
 Voltage : 230/460 V
 Rated current : 58.4/29.2 A
 Locked rotor current : 356/178 A
 Locked rotor current (I_L/I_n) : 6.1
 No-load current : 22.0/11.0 A
 Full load torque : 73.6 lb.ft
 Locked rotor torque : 220 %
 Breakdown torque : 240 %
 Design : B
 Insulation class : F
 Temperature rise : 80 K
 Locked rotor time : 23 s (hot)
 Service factor : 1.25
 Duty cycle : S1
 Ambient temperature : -20°C - +40°C
 Altitude : 1000 m
 Degree of Protection : IP55
 Approximate weight : 388 lb
 Moment of inertia : 5.1084 sq.ft.lb
 Noise level : 64 dB(A)

| | D.E. | N.D.E. |
|---------------------|---------|---------|
| Bearings | 6311 C3 | 6211 C3 |
| Regreasing interval | 20000 h | 20000 h |
| Grease amount | 18 g | 11 g |

| Load | Power factor | Efficiency (%) |
|------|--------------|----------------|
| 100% | 0.86 | 92.4 |
| 75% | 0.82 | 92.4 |
| 50% | 0.73 | 91.7 |

Notes:
 Downloaded from <http://dealerselectric.com>
 Generated for Model #02518EP3E284JM-W22

Performed by

Checked



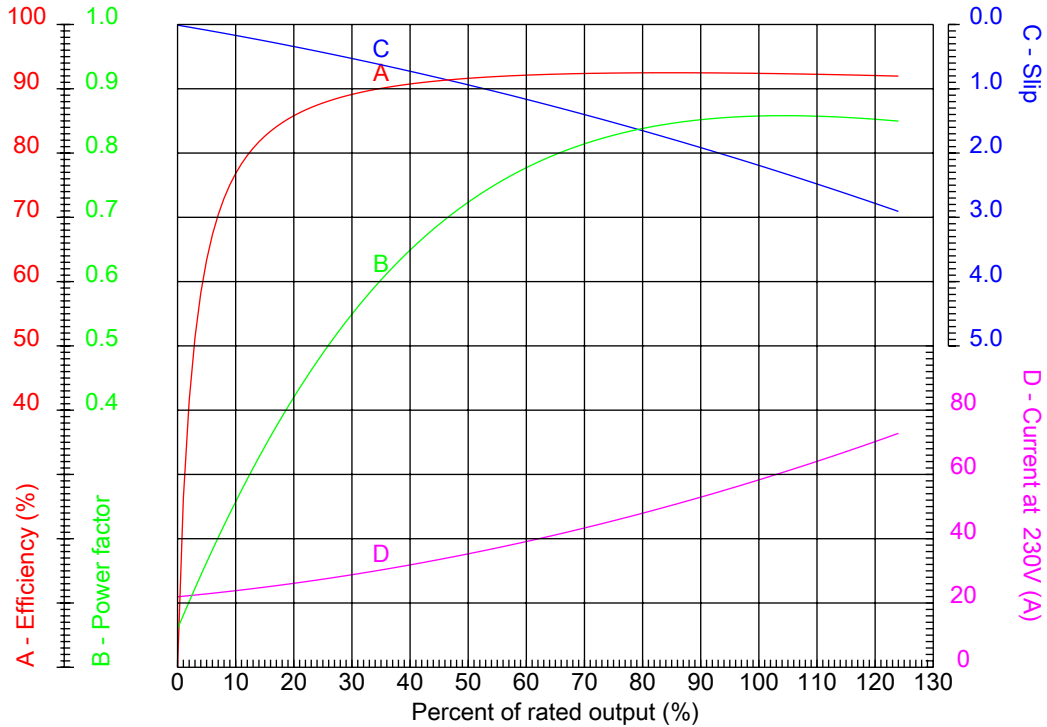
Dealers Industrial Equipment

No.:

Date: 23-SEP-2016

PERFORMANCE CURVES RELATED TO RATED OUTPUT

Three-phase induction motor - Squirrel cage rotor



Customer :
 Product line : Close Coupled Pump: Three-Phase - W22 "JM" Type - TEFC - High Efficiency

| | | | |
|------------------|---------------|--|---------|
| Frame | : 284JM | Locked rotor current (I _L /I _n) | : 6.1 |
| Output | : 25 HP | Duty cycle | : S1 |
| Frequency | : 60 Hz | Service factor | : 1.25 |
| Full load speed | : 1760 rpm | Design | : B |
| Voltage | : 230/460 V | Locked rotor torque | : 220 % |
| Rated current | : 58.4/29.2 A | Breakdown torque | : 240 % |
| Insulation class | : F | | |

Notes:
 Downloaded from <http://dealerselectric.com>
 Generated for Model #02518EP3E284JM-W22

Performed by

Checked



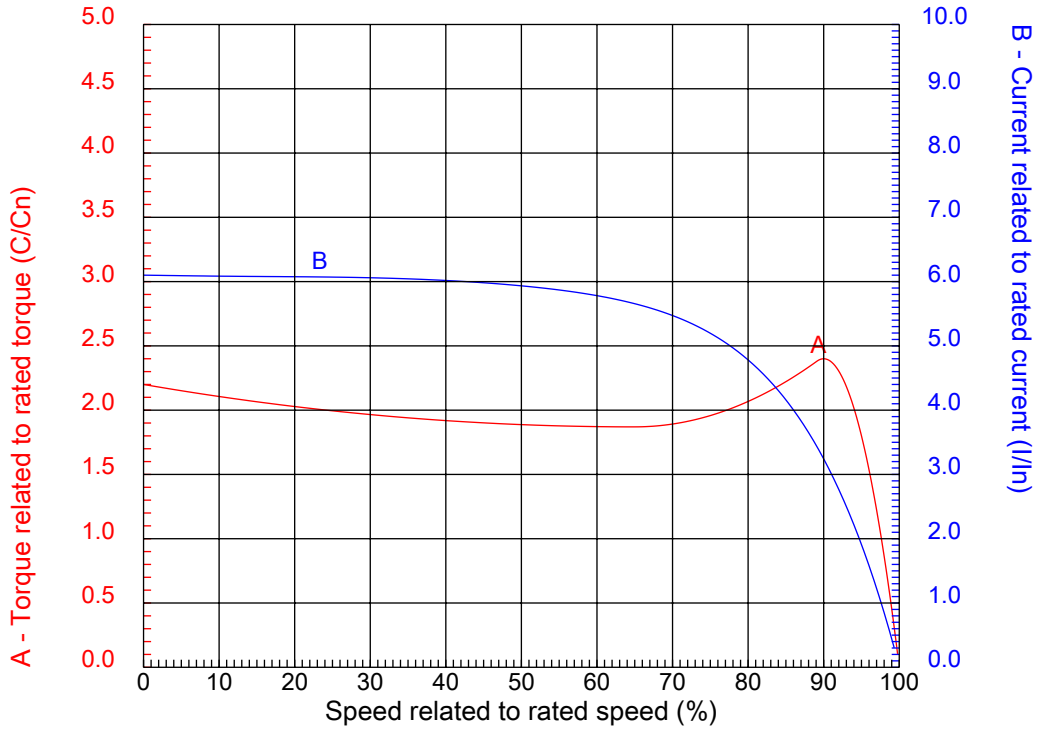
Dealers Industrial Equipment

No.:

Date: 23-SEP-2016

CHARACTERISTIC CURVES RELATED TO SPEED

Three-phase induction motor - Squirrel cage rotor



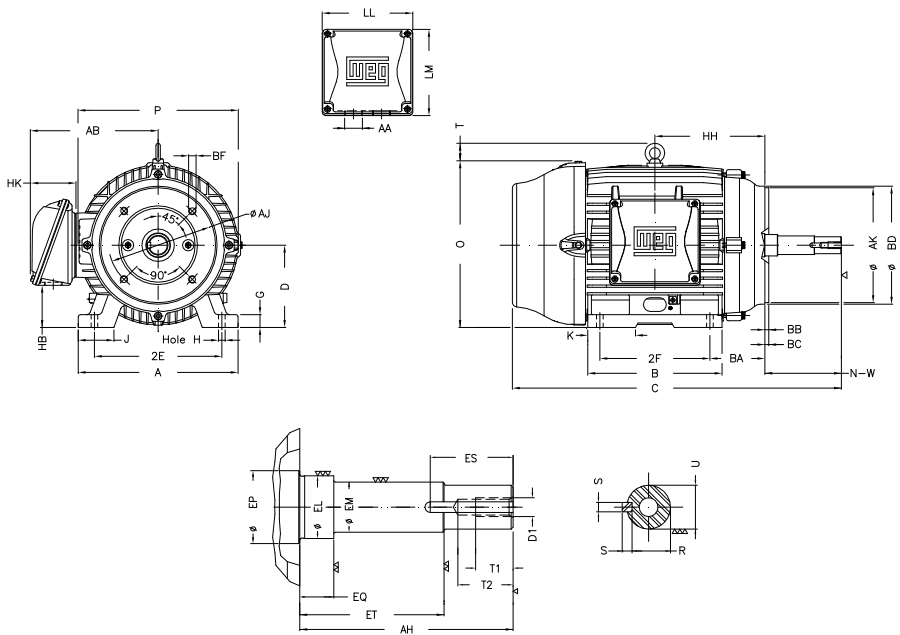
Customer :
Product line : Close Coupled Pump: Three-Phase - W22 "JM" Type - TEFC - High Efficiency

| | | | |
|------------------|---------------|--|---------|
| Frame | : 284JM | Locked rotor current (I _l /I _n) | : 6.1 |
| Output | : 25 HP | Duty cycle | : S1 |
| Frequency | : 60 Hz | Service factor | : 1.25 |
| Full load speed | : 1760 rpm | Design | : B |
| Voltage | : 230/460 V | Locked rotor torque | : 220 % |
| Rated current | : 58.4/29.2 A | Breakdown torque | : 240 % |
| Insulation class | : F | | |

Notes:
Downloaded from <http://dealerselectric.com>
Generated for Model #02518EP3E284JM-W22

Performed by

Checked



Notes: Downloaded from <http://dealerselectric.com>
 Generated for Model #02518EP3E284JM-W22

| | | | | |
|--------------|--------|-------------|--------|------------|
| 2E | J | A | P | AB |
| 11.000 | 3.071 | 13.780 | 14.173 | 11.073 |
| 2F | K | B | BA | D |
| 9.500 | 3.583 | 11.575 | 4.750 | 7.000 |
| G | O | T | H | AA |
| 1.023 | 14.067 | 2.087 | 0.531 | NPT 1 1/2" |
| EQ | ET | U | EM | EL |
| 0.630 | 3.006 | 1.249 | 1.375 | 1.750 |
| EP | ES | t1 | t2 | C |
| 2.163 | 2.480 | 0.984 | 1.496 | 27.165 |
| d1 | HH | HK | HB | LL |
| EUNC 1/2"-13 | 9.500 | 3.976 | 3.535 | 7.815 |
| LM | S | R | Flange | AJ |
| 7.480 | 0.250 | 1.110 | FC-279 | 11.000 |
| AK | BD | BF | BB | AH |
| 12.500 | 13.593 | UNC 5/8"x11 | 0.248 | 5.250 |

Performed by:

Checked:

Customer:

Close Coupled Pump: Three-Phase - W22 "JM" Type - TEFC - High Efficiency

Three-phase induction motor
 Frame 284JM - IP55

23-SEP-2016



1 2 3 4 5 6 7 8

A
B
C
D
E
F

LOW VOLTAGE

HIGH VOLTAGE



CONNECTIONS FOR STARTING ONLY:

LOW VOLTAGE

HIGH VOLTAGE



Notes: Downloaded from <http://dealerselectric.com>
Generated for Model #02518EP3E284JM-W22

Performed by:

Checked:

Customer:

Close Coupled Pump: Three-Phase - W22 "JM" Type - TEFC - High Efficiency

Three-phase induction motor
Frame 284JM - IP55

23-SEP-2016

