



Dealers Industrial Equipment

No.:

Date: 23-SEP-2016

Customer :

TECHNICAL PROPOSAL

Three-phase induction motor - Squirrel cage rotor

Product line : W22 Cooling Tower Motors: NEMA Premium - TEAO

Catalog Number : 02518AT3HCT284TF1-W2

List Price : \$3,333

Notes:

Downloaded from <http://dealerselectric.com>

Generated for Model #02518AT3HCT284TF1-W2

Performed by:

Checked:



Dealers Industrial Equipment

No.:

Date: 23-SEP-2016

DATA SHEET

Three-phase induction motor - Squirrel cage rotor

Customer :
 Product line : W22 Cooling Tower Motors: NEMA Premium - TEAO

Frame : 284T
 Output : 25 HP
 Frequency : 60 Hz
 Poles : 4
 Full load speed : 1765 rpm
 Slip : 1.94 %
 Voltage : 575 V
 Rated current : 23.6 A
 Locked rotor current : 146 A
 Locked rotor current (I_L/I_n) : 6.2
 No-load current : 8.40 A
 Full load torque : 73.4 lb.ft
 Locked rotor torque : 240 %
 Breakdown torque : 270 %
 Design : B
 Insulation class : F
 Temperature rise : 80 K
 Locked rotor time : 24 s (hot)
 Service factor : 1.25
 Duty cycle : S1
 Ambient temperature : -20°C - +40°C
 Altitude : 1000 m
 Degree of Protection : IP55
 Approximate weight : 388 lb
 Moment of inertia : 5.1084 sq.ft.lb
 Noise level : 64 dB(A)

	D.E.	N.D.E.
Bearings	6311 2RS-C3	6211 2RS-C3
Regreasing interval	---	---
Grease amount	---	---

Load	Power factor	Efficiency (%)
100%	0.84	93.6
75%	0.80	93.0
50%	0.70	92.4

Notes:
 Downloaded from <http://dealerselectric.com>
 Generated for Model #02518AT3HCT284TF1-W2

Performed by

Checked



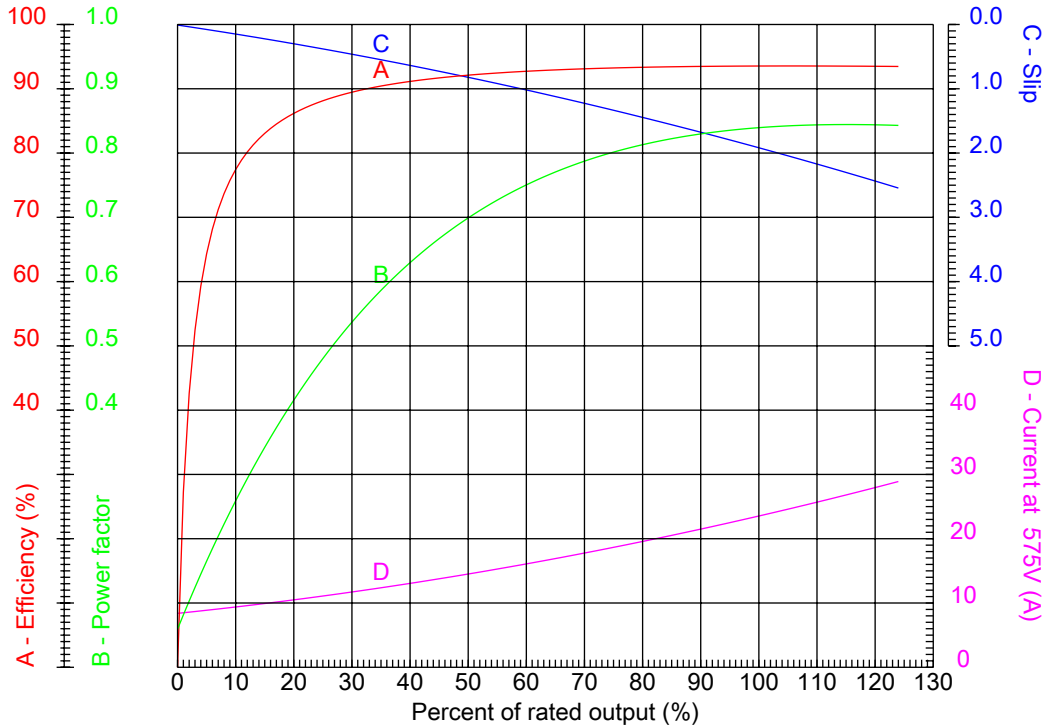
Dealers Industrial Equipment

No.:

Date: 23-SEP-2016

PERFORMANCE CURVES RELATED TO RATED OUTPUT

Three-phase induction motor - Squirrel cage rotor



Customer :
Product line : W22 Cooling Tower Motors: NEMA Premium - TEAO

Frame : 284T	Locked rotor current (I _L /I _n) : 6.2
Output : 25 HP	Duty cycle : S1
Frequency : 60 Hz	Service factor : 1.25
Full load speed : 1765 rpm	Design : B
Voltage : 575 V	Locked rotor torque : 240 %
Rated current : 23.6 A	Breakdown torque : 270 %
Insulation class : F	

Notes:
Downloaded from <http://dealerselectric.com>
Generated for Model #02518AT3HCT284TF1-W2

Performed by

Checked



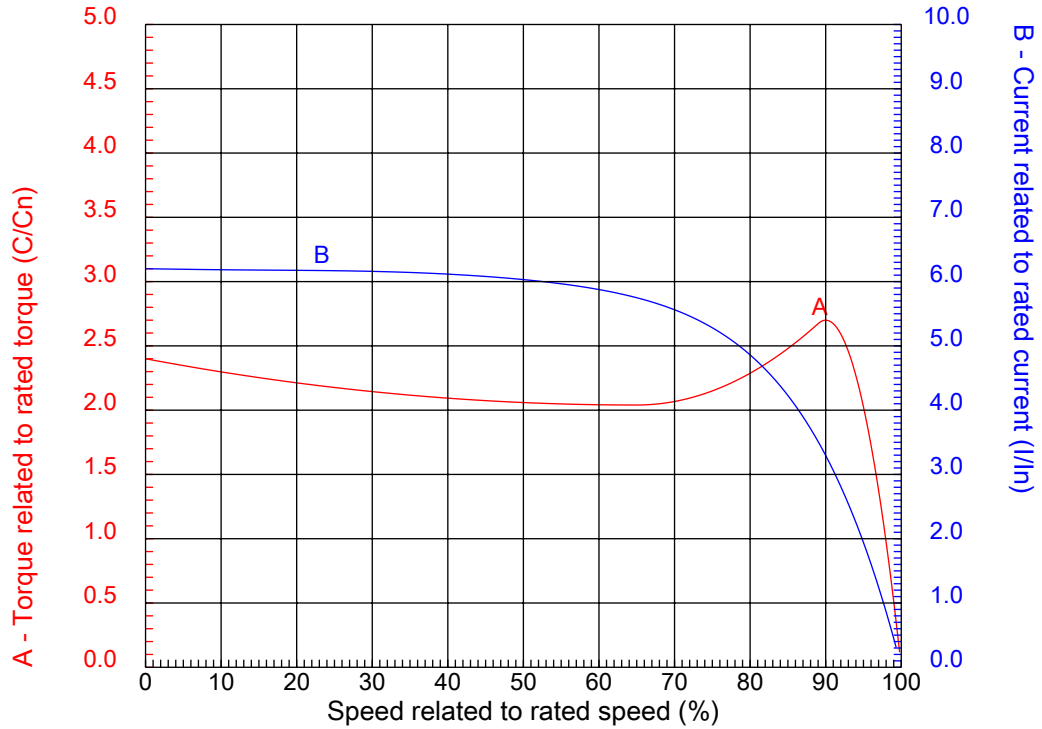
Dealers Industrial Equipment

No.:

Date: 23-SEP-2016

CHARACTERISTIC CURVES RELATED TO SPEED

Three-phase induction motor - Squirrel cage rotor



Customer :
Product line : W22 Cooling Tower Motors: NEMA Premium - TEAO

Frame	: 284T	Locked rotor current (I _l /I _n)	: 6.2
Output	: 25 HP	Duty cycle	: S1
Frequency	: 60 Hz	Service factor	: 1.25
Full load speed	: 1765 rpm	Design	: B
Voltage	: 575 V	Locked rotor torque	: 240 %
Rated current	: 23.6 A	Breakdown torque	: 270 %
Insulation class	: F		

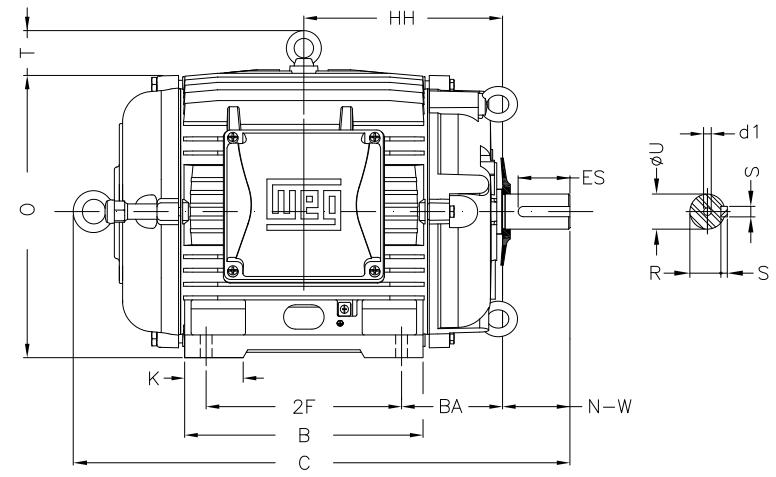
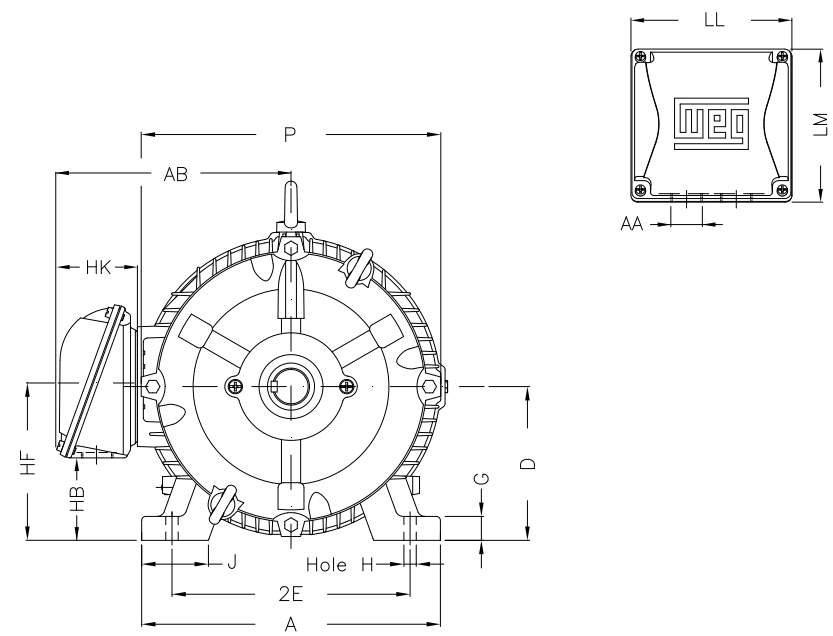
Notes:
Downloaded from <http://dealerselectric.com>
Generated for Model #02518AT3HCT284TF1-W2

Performed by

Checked

1 2 3 4 5 6 7 8

A
B
C
D
E
F



Notes: Downloaded from <http://dealerselectric.com>
Generated for Model #02518AT3HCT284TF1-W2

Performed by:

Checked:

Customer:

W22 Cooling Tower Motors: NEMA Premium - TEAO

2E	J	A	P	AB
11.000	3.071	13.780	13.780	11.073
2F	K	B	BA	U
9.500	3.583	11.575	4.750	1.875
N-W	ES	S	R	depth
4.622	3.149	0.500	1.594	0.500
D	G	HB	O	T
7.000	1.023	3.535	14.067	2.087
HF	HH	HK	H	C
7.000	9.500	3.976	0.531	25.418
LL	LM	AA	d1	
7.815	7.480	NPT 1 1/2"	A 4	

Three-phase induction motor
Frame 284T - IP55

23-SEP-2016



1 2 3 4 5 6 7 8

A
B
C
D
E
F

RUN



ONLY FOR START



Notes: Downloaded from http://dealerselectric.com Generated for Model #02518AT3HCT284TF1-W2		
Performed by:		
Checked:		
Customer:		
W22 Cooling Tower Motors: NEMA Premium - TEAO		
Three-phase induction motor Frame 284T - IP55	23-SEP-2016	