



# Dealers Industrial Equipment

No.:

Date: 23-SEP-2016

Customer :

## TECHNICAL PROPOSAL

### Three-phase induction motor - Squirrel cage rotor

Product line : W22 Cooling Tower Motors: NEMA Premium - TEAO

Catalog Number : 02518AT3ECT284T-W22

List Price : \$3,333

#### Notes:

Downloaded from <http://dealerselectric.com>

Generated for Model #02518AT3ECT284T-W22

Performed by:

Checked:



Dealers Industrial Equipment

No.:

Date: 23-SEP-2016

### DATA SHEET Three-phase induction motor - Squirrel cage rotor

Customer :  
Product line : W22 Cooling Tower Motors: NEMA Premium - TEAO

Frame : 284T  
Output : 25 HP  
Frequency : 60 Hz  
Poles : 4  
Full load speed : 1765 rpm  
Slip : 1.94 %  
Voltage : 208-230/460 V  
Rated current : 65.2-59.0/29.5 A  
Locked rotor current : 366/183 A  
Locked rotor current (I<sub>L</sub>/I<sub>n</sub>) : 6.2  
No-load current : 21.0/10.5 A  
Full load torque : 73.4 lb.ft  
Locked rotor torque : 240 %  
Breakdown torque : 270 %  
Design : B  
Insulation class : F  
Temperature rise : 80 K  
Locked rotor time : 24 s (hot)  
Service factor : 1.25  
Duty cycle : S1  
Ambient temperature : -20°C - +40°C  
Altitude : 1000 m  
Degree of Protection : IP55  
Approximate weight : 388 lb  
Moment of inertia : 5.1084 sq.ft.lb  
Noise level : 64 dB(A)

	D.E.	N.D.E.
Bearings	6311 2RS-C3	6211 2RS-C3
Regreasing interval	---	---
Grease amount	---	---

Load	Power factor	Efficiency (%)
100%	0.84	93.6
75%	0.80	93.0
50%	0.70	92.4

Notes:  
Downloaded from <http://dealerselectric.com>  
Generated for Model #02518AT3ECT284T-W22

Performed by

Checked



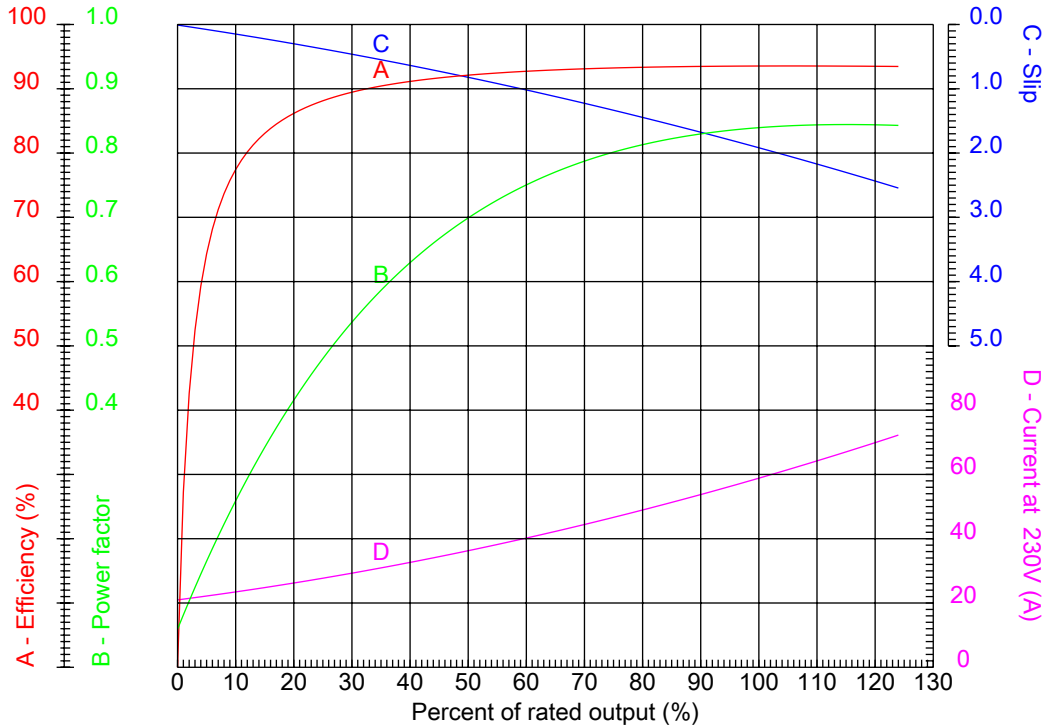
# Dealers Industrial Equipment

No.:

Date: 23-SEP-2016

## PERFORMANCE CURVES RELATED TO RATED OUTPUT

Three-phase induction motor - Squirrel cage rotor



Customer :  
 Product line : W22 Cooling Tower Motors: NEMA Premium - TEAO

Frame	: 284T	Locked rotor current (I <sub>l</sub> /I <sub>n</sub> )	: 6.2
Output	: 25 HP	Duty cycle	: S1
Frequency	: 60 Hz	Service factor	: 1.25
Full load speed	: 1765 rpm	Design	: B
Voltage	: 208-230/460 V	Locked rotor torque	: 240 %
Rated current	: 65.2-59.0/29.5 A	Breakdown torque	: 270 %
Insulation class	: F		

Notes:  
 Downloaded from <http://dealerselectric.com>  
 Generated for Model #02518AT3ECT284T-W22

Performed by

Checked



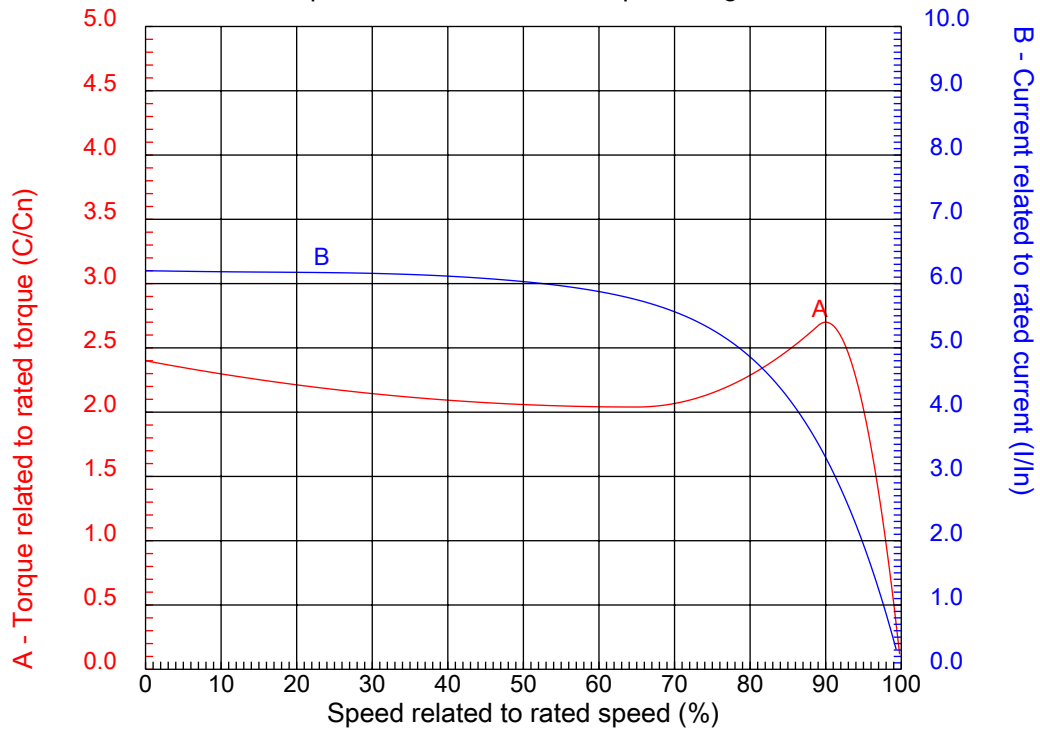
# Dealers Industrial Equipment

No.:

Date: 23-SEP-2016

## CHARACTERISTIC CURVES RELATED TO SPEED

Three-phase induction motor - Squirrel cage rotor



Customer :  
Product line : W22 Cooling Tower Motors: NEMA Premium - TEAO

Frame	: 284T	Locked rotor current (I <sub>l</sub> /I <sub>n</sub> )	: 6.2
Output	: 25 HP	Duty cycle	: S1
Frequency	: 60 Hz	Service factor	: 1.25
Full load speed	: 1765 rpm	Design	: B
Voltage	: 208-230/460 V	Locked rotor torque	: 240 %
Rated current	: 65.2-59.0/29.5 A	Breakdown torque	: 270 %
Insulation class	: F		

Notes:  
Downloaded from <http://dealerselectric.com>  
Generated for Model #02518AT3ECT284T-W22

Performed by

Checked

1 2 3 4 5 6 7 8

A

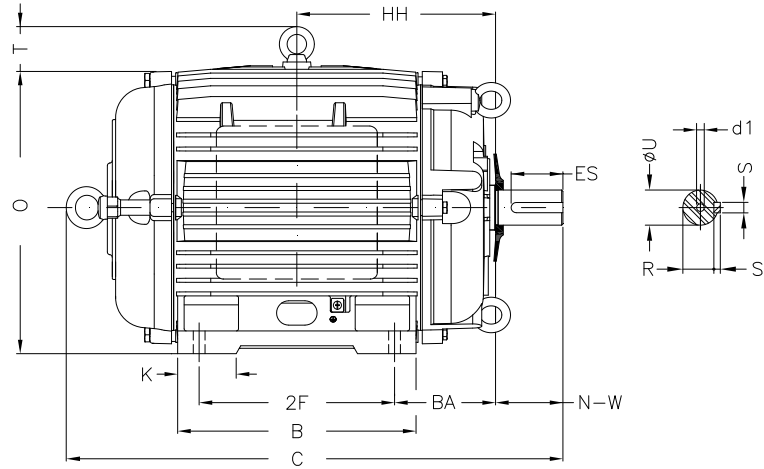
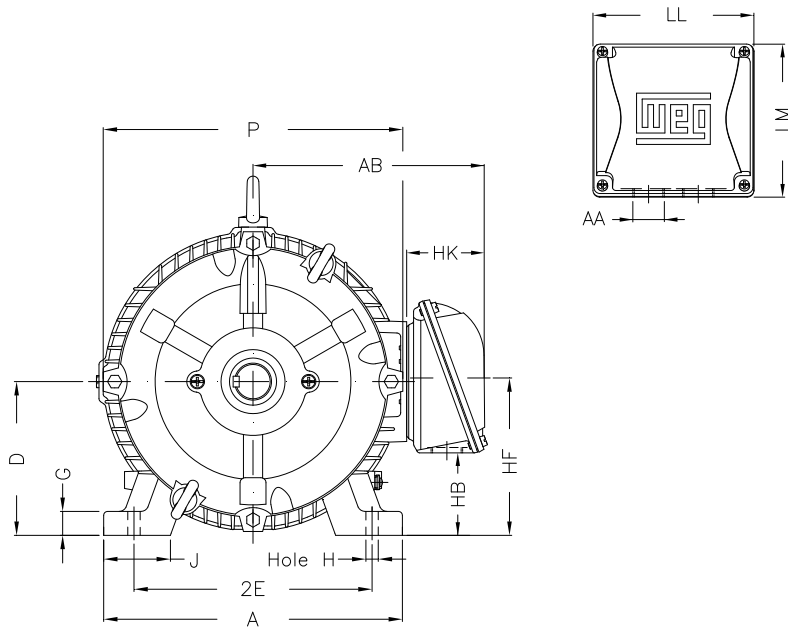
B

C

D

E

F



Notes: Downloaded from <http://dealerselectric.com>  
Generated for Model #02518AT3ECT284T-W22

Performed by:

Checked:

Customer:

W22 Cooling Tower Motors: NEMA Premium - TEAO

Three-phase induction motor  
Frame 284T - IP55

23-SEP-2016



2E 11.000	J 3.071	A 13.780	P 13.780	AB 11.073
2F 9.500	K 3.583	B 11.575	BA 4.750	U 1.875
N-W 4.622	ES 3.149	S 0.500	R 1.594	depth 0.500
D 7.000	G 1.023	HB 3.535	O 14.067	T 2.087
HF 7.000	HH 9.500	HK 3.976	H 0.531	C 25.418
LL 7.815	LM 7.480	AA NPT 1 1/2"	d1 A 4	

1 2 3 4 5 6 7 8

A  
B  
C  
D  
E  
F

LOW VOLTAGE

HIGH VOLTAGE



CONNECTIONS FOR STARTING ONLY:

LOW VOLTAGE

HIGH VOLTAGE



Notes: Downloaded from <http://dealerselectric.com>  
Generated for Model #02518AT3ECT284T-W22

Performed by:

Checked:

Customer:

W22 Cooling Tower Motors: NEMA Premium - TEAO

Three-phase induction motor  
Frame 284T - IP55

23-SEP-2016

