



Dealers Industrial Equipment

No.:

Date: 23-SEP-2016

Customer :

TECHNICAL PROPOSAL

Three-phase induction motor - Squirrel cage rotor

Product line : ODP General Purpose

Catalog Number : 02512OT3E324T-G

List Price : \$3,919

Notes:

Downloaded from <http://dealerselectric.com>

Generated for Model #02512OT3E324T-G

Performed by:

Checked:



Dealers Industrial Equipment

No.:

Date: 23-SEP-2016

DATA SHEET Three-phase induction motor - Squirrel cage rotor

Customer :
Product line : ODP General Purpose

Frame : 324T
 Output : 25 HP
 Frequency : 60 Hz
 Poles : 6
 Full load speed : 1180 rpm
 Slip : 1.67 %
 Voltage : 208-230/460 V
 Rated current : 67.2-60.8/30.4 A
 Locked rotor current : 365/182 A
 Locked rotor current (I_L/I_n) : 6.0
 No-load current : 28.0/14.0 A
 Full load torque : 110 lb.ft
 Locked rotor torque : 200 %
 Breakdown torque : 240 %
 Design : B
 Insulation class : F
 Temperature rise : 80 K
 Locked rotor time : 18 s (hot)
 Service factor : 1.15
 Duty cycle : S1
 Ambient temperature : -20°C - +40°C
 Altitude : 1000 m
 Degree of Protection : IP23
 Approximate weight : 463 lb
 Moment of inertia : 8.5136 sq.ft.lb
 Noise level : 60 dB(A)

	D.E.	N.D.E.
Bearings	6312 Z-C3	6212 Z-C3
Regreasing interval	20000 h	20000 h
Grease amount	21 g	13 g

Load	Power factor	Efficiency (%)
100%	0.82	93.0
75%	0.77	92.4
50%	0.67	91.7

Notes:
 Downloaded from <http://dealerselectric.com>
 Generated for Model #02512OT3E324T-G

Performed by

Checked



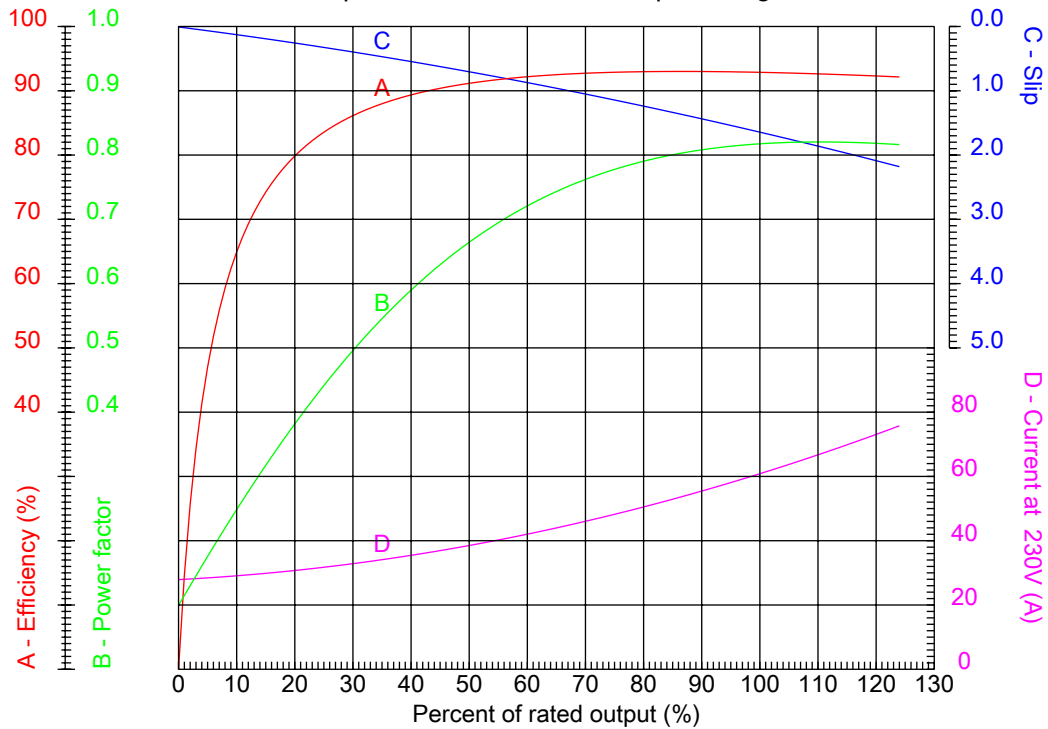
Dealers Industrial Equipment

No.:

Date: 23-SEP-2016

PERFORMANCE CURVES RELATED TO RATED OUTPUT

Three-phase induction motor - Squirrel cage rotor



Customer :
Product line : ODP General Purpose

Frame	: 324T	Locked rotor current (I _l /I _n)	: 6.0
Output	: 25 HP	Duty cycle	: S1
Frequency	: 60 Hz	Service factor	: 1.15
Full load speed	: 1180 rpm	Design	: B
Voltage	: 208-230/460 V	Locked rotor torque	: 200 %
Rated current	: 67.2-60.8/30.4 A	Breakdown torque	: 240 %
Insulation class	: F		

Notes:
Downloaded from <http://dealerselectric.com>
Generated for Model #02512OT3E324T-G

Performed by

Checked



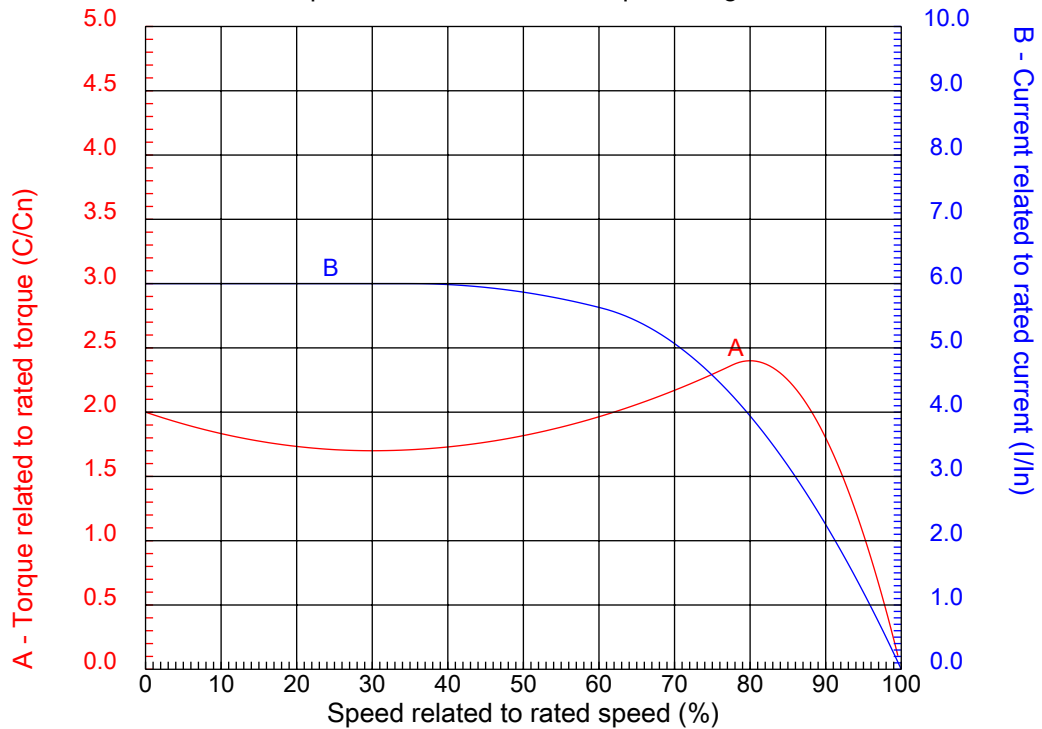
Dealers Industrial Equipment

No.:

Date: 23-SEP-2016

CHARACTERISTIC CURVES RELATED TO SPEED

Three-phase induction motor - Squirrel cage rotor



Customer :
Product line : ODP General Purpose

Frame	: 324T	Locked rotor current (I _l /I _n)	: 6.0
Output	: 25 HP	Duty cycle	: S1
Frequency	: 60 Hz	Service factor	: 1.15
Full load speed	: 1180 rpm	Design	: B
Voltage	: 208-230/460 V	Locked rotor torque	: 200 %
Rated current	: 67.2-60.8/30.4 A	Breakdown torque	: 240 %
Insulation class	: F		

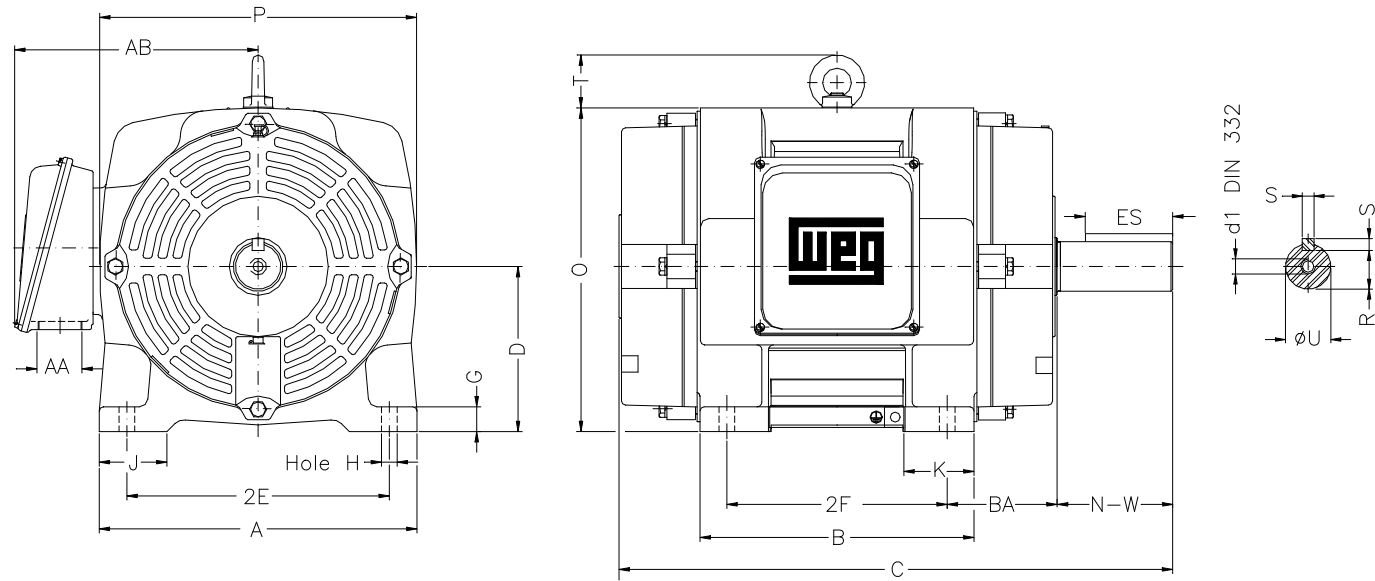
Notes:
Downloaded from <http://dealerselectric.com>
Generated for Model #02512OT3E324T-G

Performed by

Checked

1 2 3 4 5 6 7 8

A
B
C
D
E
F



Notes: Downloaded from <http://dealerselectric.com>
Generated for Model #025120T3E324T-G

Performed by:

Checked:

Customer:

ODP General Purpose

2E 12.500	A 15.160	2F 10.500	B 13.070	BA 5.250
J 3.230	K 3.350	P 15.118	ES 3.937	depth 0.500
S 0.500	D 8.000	N-W 5.250	G 1.299	U 2.125
O 15.551	T 2.559	R 1.844	H 0.656	AB 11.496
C 26.181	AA NPT 2"	d1 A 4		

Three-phase induction motor
Frame 324T - IP23

23-SEP-2016



1 2 3 4 5 6 7 8

A
B
C
D
E
F

LOW VOLTAGE

HIGH VOLTAGE



CONNECTIONS FOR STARTING ONLY:

LOW VOLTAGE

HIGH VOLTAGE



Notes: Downloaded from <http://dealerselectric.com>
Generated for Model #02512OT3E324T-G

Performed by:

Checked:

Customer:

ODP General Purpose

Three-phase induction motor
Frame 324T - IP23

23-SEP-2016

