



# Dealers Industrial Equipment

No.:

Date: 23-SEP-2016

Customer :

## TECHNICAL PROPOSAL

### Three-phase induction motor - Squirrel cage rotor

Product line : Oil Well Pumping : High Slip - NEMA Design "D" - TEFC (IP55)

Catalog Number : 02512ES3EOW324T

List Price : \$3,887

#### Notes:

Downloaded from <http://dealerselectric.com>

Generated for Model #02512ES3EOW324T

Performed by:

Checked:



# Dealers Industrial Equipment

No.:

Date: 23-SEP-2016

## DATA SHEET Three-phase induction motor - Squirrel cage rotor

Customer :  
 Product line : Oil Well Pumping : High Slip - NEMA Design "D" - TEFC (IP55)

Frame : 324T  
 Output : 25 HP  
 Frequency : 60 Hz  
 Poles : 6  
 Full load speed : 1135 rpm  
 Slip : 5.42 %  
 Voltage : 208-230/460 V  
 Rated current : 65.9-59.6/29.8 A  
 Locked rotor current : 405/203 A  
 Locked rotor current (I<sub>L</sub>/I<sub>n</sub>) : 6.8  
 No-load current : 21.0/10.5 A  
 Full load torque : 114 lb.ft  
 Locked rotor torque : 320 %  
 Breakdown torque : 0 %  
 Design : D  
 Insulation class : F  
 Temperature rise : 80 K  
 Locked rotor time : 16 s (hot)  
 Service factor : 1.15  
 Duty cycle : S1  
 Ambient temperature : -20°C - +40°C  
 Altitude : 1000 m  
 Degree of Protection : IP55  
 Approximate weight : 523 lb  
 Moment of inertia : 10.642 sq.ft.lb  
 Noise level : 62 dB(A)

	D.E.	N.D.E.
Bearings	6312 C3	6212 C3
Regreasing interval	20000 h	20000 h
Grease amount	21 g	13 g

Load	Power factor	Efficiency (%)
100%	0.88	88.5
75%	0.83	88.0
50%	0.75	85.0

Notes:  
 Downloaded from <http://dealerselectric.com>  
 Generated for Model #02512ES3EOW324T

Performed by

Checked



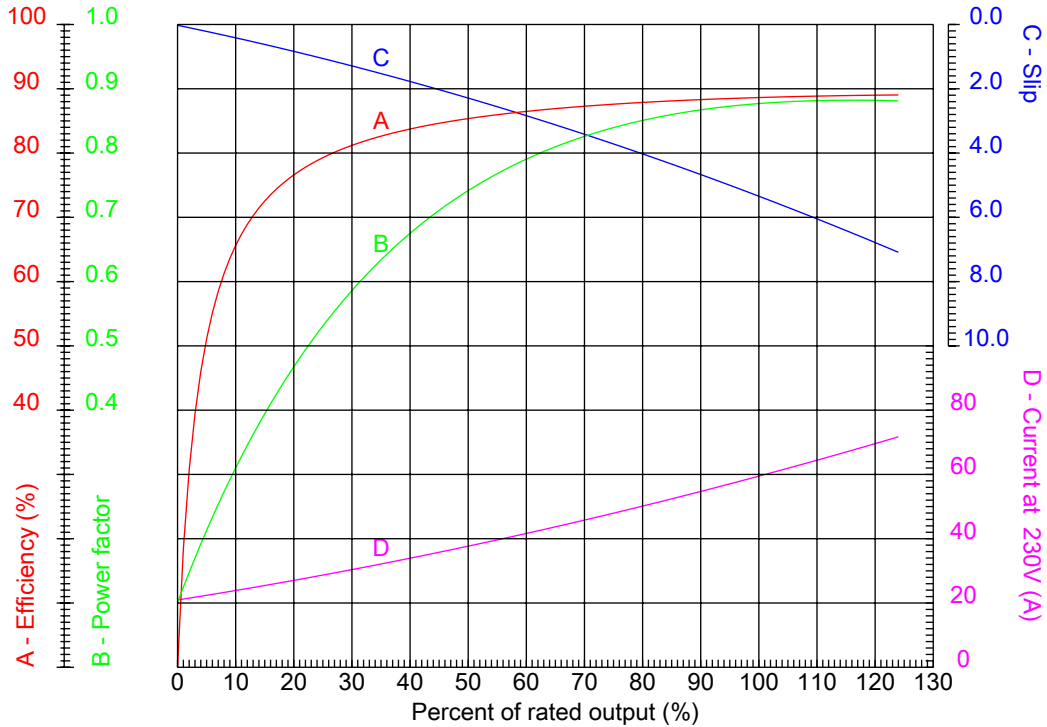
# Dealers Industrial Equipment

No.:

Date: 23-SEP-2016

## PERFORMANCE CURVES RELATED TO RATED OUTPUT

Three-phase induction motor - Squirrel cage rotor



Customer :  
 Product line : Oil Well Pumping : High Slip - NEMA Design "D" - TEFC (IP55)

Frame	: 324T	Locked rotor current (I <sub>L</sub> /I <sub>n</sub> )	: 6.8
Output	: 25 HP	Duty cycle	: S1
Frequency	: 60 Hz	Service factor	: 1.15
Full load speed	: 1135 rpm	Design	: D
Voltage	: 208-230/460 V	Locked rotor torque	: 320 %
Rated current	: 65.9-59.6/29.8 A	Breakdown torque	: 0 %
Insulation class	: F		

Notes:  
 Downloaded from <http://dealerselectric.com>  
 Generated for Model #02512ES3EOW324T

Performed by

Checked



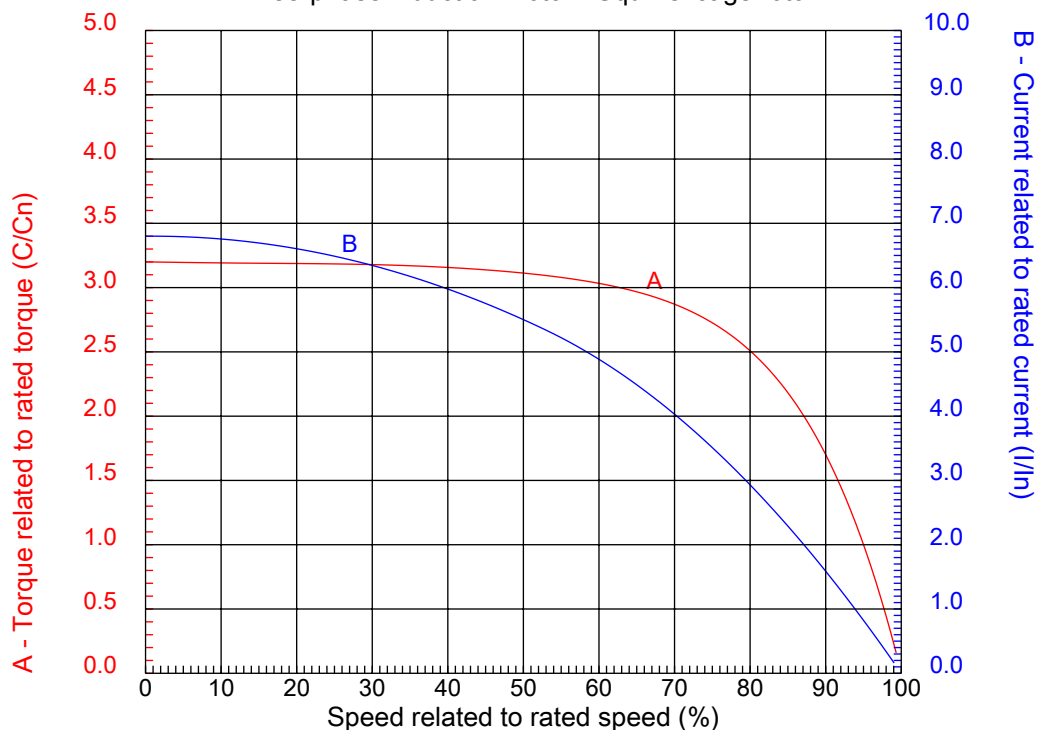
# Dealers Industrial Equipment

No.:

Date: 23-SEP-2016

## CHARACTERISTIC CURVES RELATED TO SPEED

Three-phase induction motor - Squirrel cage rotor



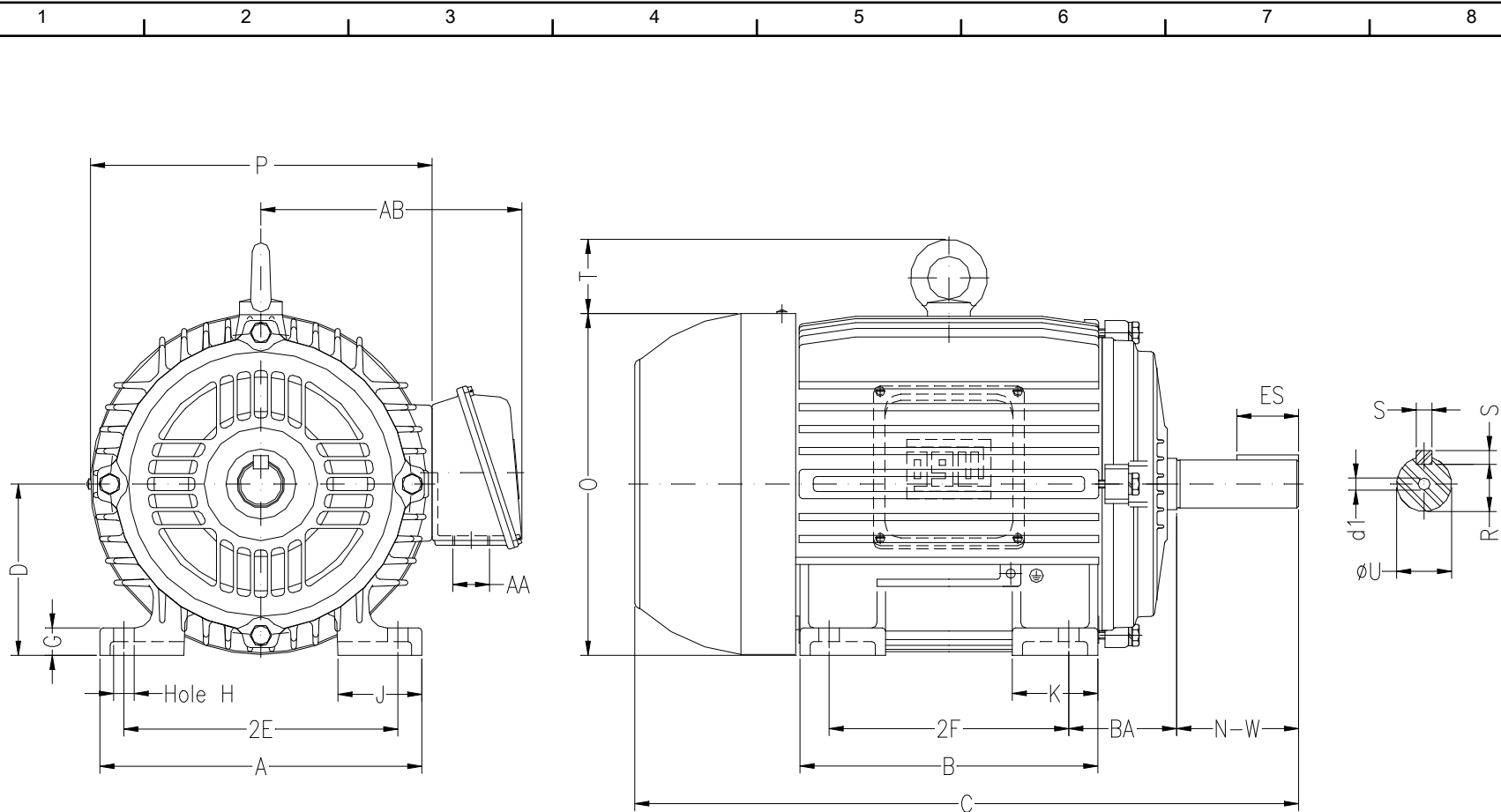
Customer :  
Product line : Oil Well Pumping : High Slip - NEMA Design "D" - TEFC (IP55)

Frame	: 324T	Locked rotor current (I <sub>l</sub> /I <sub>h</sub> )	: 6.8
Output	: 25 HP	Duty cycle	: S1
Frequency	: 60 Hz	Service factor	: 1.15
Full load speed	: 1135 rpm	Design	: D
Voltage	: 208-230/460 V	Locked rotor torque	: 320 %
Rated current	: 65.9-59.6/29.8 A	Breakdown torque	: 272 %
Insulation class	: F		

Notes:  
Downloaded from <http://dealerselectric.com>  
Generated for Model #02512ES3EOW324T

Performed by

Checked



Notes: Downloaded from <http://dealerselectric.com>  
 Generated for Model #02512ES3EOW324T

Performed by:

Checked:

Customer:

Oil Well Pumping : High Slip - NEMA Design "D" - TEFC (IP55)

Three-phase induction motor  
 Frame 324T - IP55

23-SEP-2016



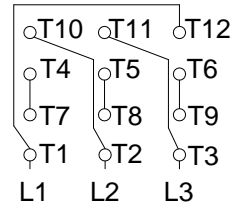
2E 12.500	A 15.157	2F 10.500	B 13.071	BA 5.250
J 3.228	K 3.346	P 15.591	ES 3.937	depth 0.500
S 0.500	N-W 5.250	U 2.125	R 1.844	AB 11.496
D 8.000	G 1.307	O 15.953	T 2.441	H 0.657
C 29.620	AA NPT 2"	d1 A 4	d2 A 4	

1 2 3 4 5 6 7 8

A  
B  
C  
D  
E  
F

LOW VOLTAGE

HIGH VOLTAGE



CONNECTIONS FOR STARTING ONLY:

LOW VOLTAGE

HIGH VOLTAGE



Notes: Downloaded from <http://dealerselectric.com>  
Generated for Model #02512ES3EOW324T

Performed by:

Checked:

Customer:

Oil Well Pumping : High Slip - NEMA Design "D" - TEFC (IP55)

Three-phase induction motor  
Frame 324T - IP55

23-SEP-2016

