



# Dealers Industrial Equipment

No.:

Date: 23-SEP-2016

Customer :

## TECHNICAL PROPOSAL

### Three-phase induction motor - Squirrel cage rotor

Product line : W22 Cooling Tower Motors: NEMA Premium - TEAO

Catalog Number : 02512AT3ECT324TF1-W2

List Price : \$5,709

#### Notes:

Downloaded from <http://dealerselectric.com>

Generated for Model #02512AT3ECT324TF1-W2

Performed by:

Checked:



Dealers Industrial Equipment

No.:

Date: 23-SEP-2016

### DATA SHEET

### Three-phase induction motor - Squirrel cage rotor

Customer :  
 Product line : W22 Cooling Tower Motors: NEMA Premium - TEAO

Frame : 324T  
 Output : 25 HP  
 Frequency : 60 Hz  
 Poles : 6  
 Full load speed : 1180 rpm  
 Slip : 1.67 %  
 Voltage : 208-230/460 V  
 Rated current : 67.2-60.8/30.4 A  
 Locked rotor current : 377/188 A  
 Locked rotor current (I<sub>L</sub>/I<sub>n</sub>) : 6.2  
 No-load current : 28.0/14.0 A  
 Full load torque : 110 lb.ft  
 Locked rotor torque : 210 %  
 Breakdown torque : 260 %  
 Design : B  
 Insulation class : F  
 Temperature rise : 80 K  
 Locked rotor time : 26 s (hot)  
 Service factor : 1.25  
 Duty cycle : S1  
 Ambient temperature : -20°C - +40°C  
 Altitude : 1000 m  
 Degree of Protection : IP55  
 Approximate weight : 560 lb  
 Moment of inertia : 11.493 sq.ft.lb  
 Noise level : 62 dB(A)

	D.E.	N.D.E.
Bearings	6312 2RS-C3	6212 2RS-C3
Regreasing interval	---	---
Grease amount	---	---

Load	Power factor	Efficiency (%)
100%	0.82	93.0
75%	0.77	93.0
50%	0.65	91.7

Notes:  
 Downloaded from <http://dealerselectric.com>  
 Generated for Model #02512AT3ECT324TF1-W2

Performed by

Checked



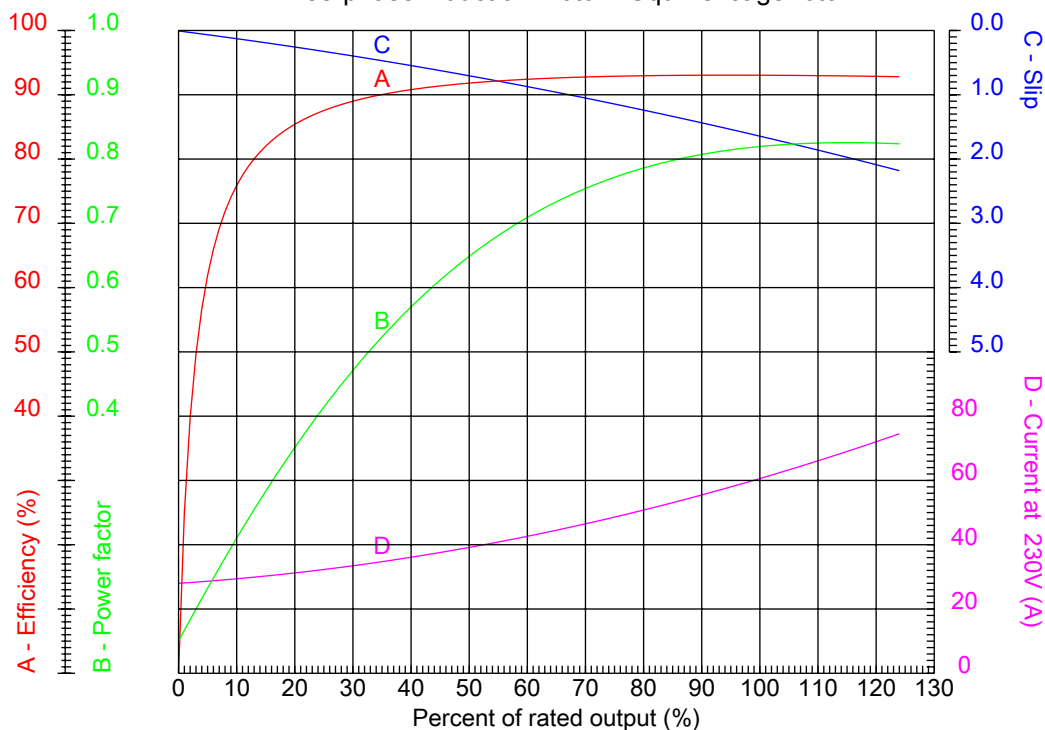
# Dealers Industrial Equipment

No.:

Date: 23-SEP-2016

## PERFORMANCE CURVES RELATED TO RATED OUTPUT

Three-phase induction motor - Squirrel cage rotor



Customer :  
 Product line : W22 Cooling Tower Motors: NEMA Premium - TEAO

Frame	: 324T	Locked rotor current (I <sub>l</sub> /I <sub>n</sub> )	: 6.2
Output	: 25 HP	Duty cycle	: S1
Frequency	: 60 Hz	Service factor	: 1.25
Full load speed	: 1180 rpm	Design	: B
Voltage	: 208-230/460 V	Locked rotor torque	: 210 %
Rated current	: 67.2-60.8/30.4 A	Breakdown torque	: 260 %
Insulation class	: F		

Notes:  
 Downloaded from <http://dealerselectric.com>  
 Generated for Model #02512AT3ECT324TF1-W2

Performed by

Checked



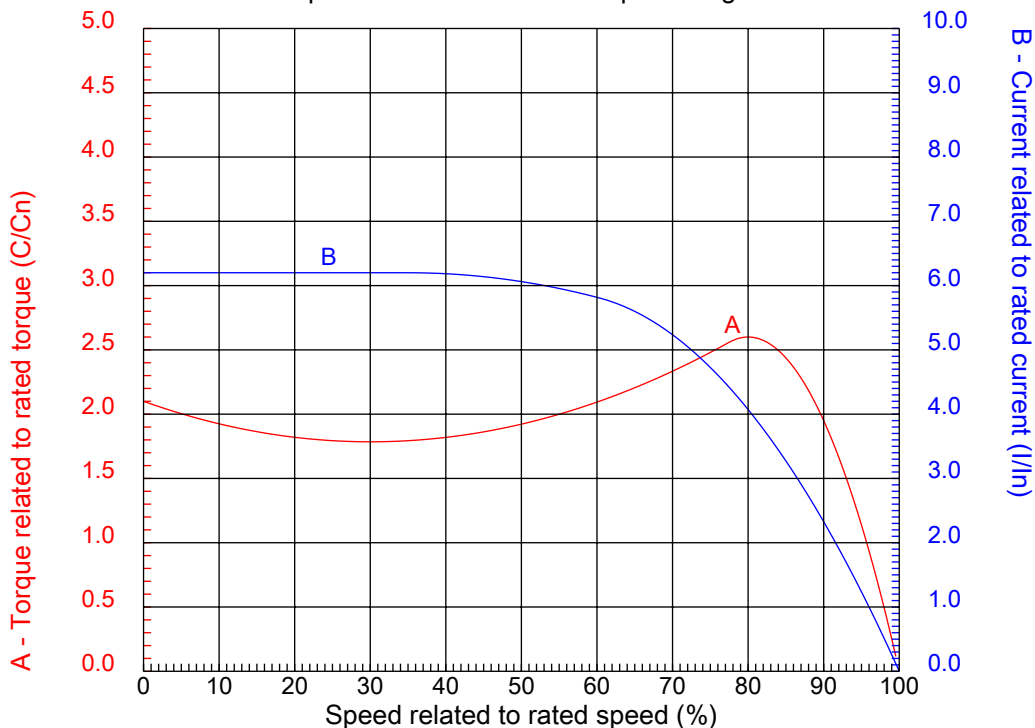
# Dealers Industrial Equipment

No.:

Date: 23-SEP-2016

## CHARACTERISTIC CURVES RELATED TO SPEED

Three-phase induction motor - Squirrel cage rotor



Customer :  
Product line : W22 Cooling Tower Motors: NEMA Premium - TEAO

Frame	: 324T	Locked rotor current (I <sub>l</sub> /I <sub>n</sub> )	: 6.2
Output	: 25 HP	Duty cycle	: S1
Frequency	: 60 Hz	Service factor	: 1.25
Full load speed	: 1180 rpm	Design	: B
Voltage	: 208-230/460 V	Locked rotor torque	: 210 %
Rated current	: 67.2-60.8/30.4 A	Breakdown torque	: 260 %
Insulation class	: F		

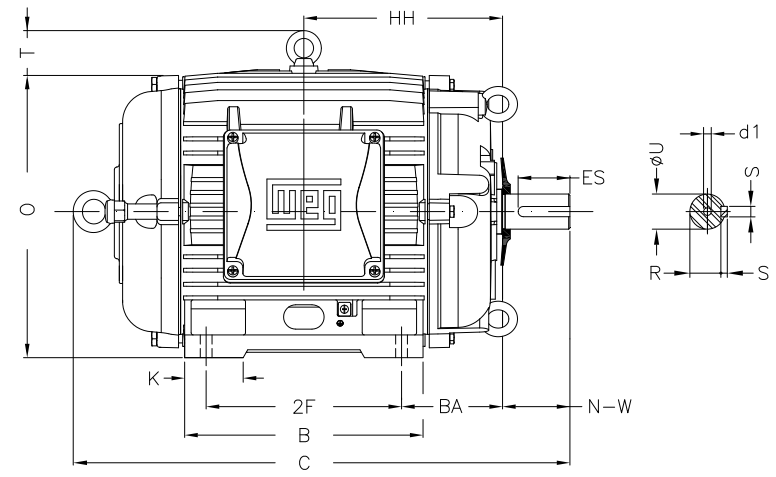
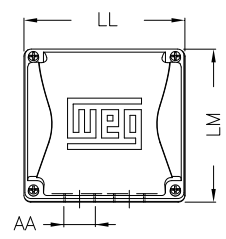
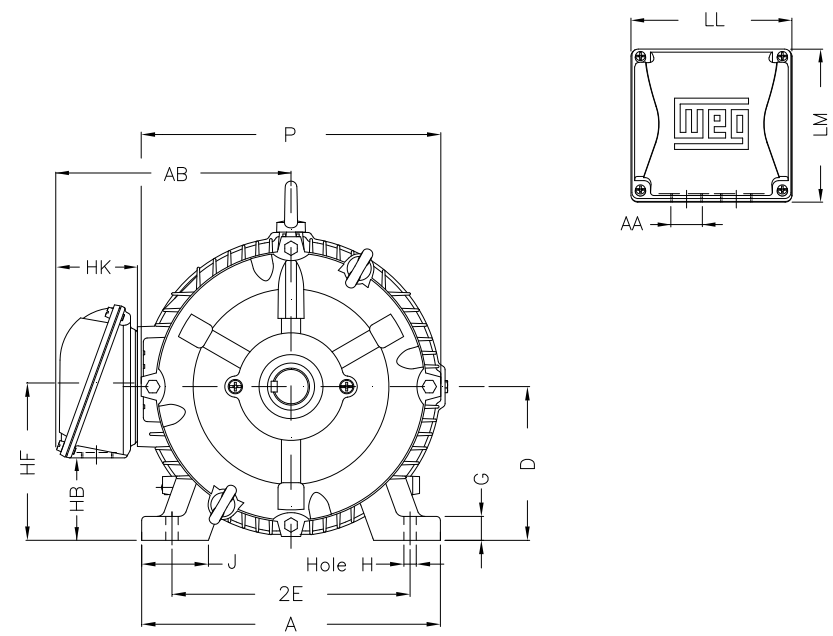
Notes:  
Downloaded from <http://dealerselectric.com>  
Generated for Model #02512AT3ECT324TF1-W2

Performed by

Checked

1 2 3 4 5 6 7 8

A  
B  
C  
D  
E  
F



Notes: Downloaded from <http://dealerselectric.com>  
Generated for Model #02512AT3ECT324TF1-W2

Performed by:

Checked:

Customer:

W22 Cooling Tower Motors: NEMA Premium - TEAO

2E 12.500	J 3.189	A 15.157	P 14.961	AB 12.575
2F 10.500	K 4.055	B 13.071	BA 5.250	U 2.125
N-W 5.250	ES 3.937	S 0.500	R 1.844	depth 0.500
D 8.000	G 1.300	HB 4.811	O 15.953	T 2.441
HF 8.708	HH 10.500	HK 4.705	H 0.657	C 28.575
LL 9.055	LM 8.661	AA NPT 2"	d1 A 4	

Three-phase induction motor  
Frame 324T - IP55

23-SEP-2016



1 2 3 4 5 6 7 8

A  
B  
C  
D  
E  
F

LOW VOLTAGE

HIGH VOLTAGE



CONNECTIONS FOR STARTING ONLY:

LOW VOLTAGE

HIGH VOLTAGE



Notes: Downloaded from <http://dealerselectric.com>  
Generated for Model #02512AT3ECT324TF1-W2

Performed by:

Checked:

Customer:

W22 Cooling Tower Motors: NEMA Premium - TEAO

Three-phase induction motor  
Frame 324T - IP55

23-SEP-2016

