



Dealers Industrial Equipment

No.:

Date: 23-SEP-2016

Customer :

TECHNICAL PROPOSAL

Three-phase induction motor - Squirrel cage rotor

Product line : Three-Phase: W22 IE3 IEC Tru-Metric - TEFC (IP55) Cast Iron Frame

Catalog Number : 02218ET3Y180L-W22

List Price : \$3,225

Notes:

Downloaded from <http://dealerselectric.com>

Generated for Model #02218ET3Y180L-W22

Performed by:

Checked:



# Dealers Industrial Equipment

No.:

Date: 23-SEP-2016

## DATA SHEET Three-phase induction motor - Squirrel cage rotor

Customer :  
 Product line : Three-Phase: W22 IE3 IEC Tru-Metric - TEFC (IP55) Cast Iron Frame

Frame : 180L  
 Output : 30 HP  
 Frequency : 60 Hz  
 Poles : 4  
 Full load speed : 1775 rpm  
 Slip : 1.39 %  
 Voltage : 460 V  
 Rated current : 36.0 A  
 Locked rotor current : 310 A  
 Locked rotor current (I<sub>L</sub>/I<sub>n</sub>) : 8.6  
 No-load current : 16.8 A  
 Full load torque : 87.6 lb.ft  
 Locked rotor torque : 350 %  
 Breakdown torque : 390 %  
 Design : ---  
 Insulation class : F  
 Temperature rise : 80 K  
 Locked rotor time : 19 s (hot)  
 Service factor : 1.25  
 Duty cycle : S1  
 Ambient temperature : -20°C - +40°C  
 Altitude : 1000 m  
 Degree of Protection : IP55  
 Approximate weight : 437 lb  
 Moment of inertia : 5.3919 sq.ft.lb  
 Noise level : 64 dB(A)

	D.E.	N.D.E.
Bearings	6311 C3	6211 C3
Regreasing interval	20000 h	20000 h
Grease amount	18 g	11 g

Load	Power factor	Efficiency (%)
100%	0.82	93.6
75%	0.76	92.4
50%	0.65	91.0

Notes:  
 Downloaded from <http://dealerselectric.com>  
 Generated for Model #02218ET3Y180L-W22

Performed by

Checked



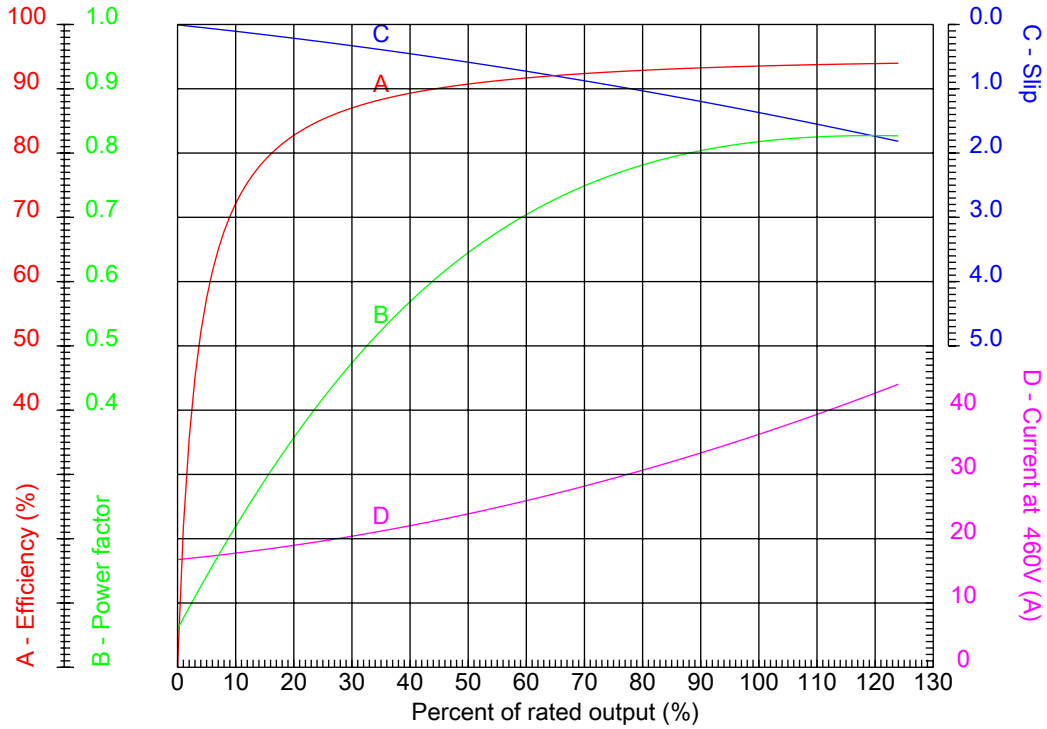
# Dealers Industrial Equipment

No.:

Date: 23-SEP-2016

## PERFORMANCE CURVES RELATED TO RATED OUTPUT

Three-phase induction motor - Squirrel cage rotor



Customer :  
 Product line : Three-Phase: W22 IE3 IEC Tru-Metric - TEFC (IP55) Cast Iron Frame

Frame	: 180L	Locked rotor current (I <sub>L</sub> /I <sub>n</sub> )	: 8.6
Output	: 30 HP	Duty cycle	: S1
Frequency	: 60 Hz	Service factor	: 1.25
Full load speed	: 1775 rpm	Design	: ---
Voltage	: 460 V	Locked rotor torque	: 350 %
Rated current	: 36.0 A	Breakdown torque	: 390 %
Insulation class	: F		

Notes:  
 Downloaded from <http://dealerselectric.com>  
 Generated for Model #02218ET3Y180L-W22

Performed by

Checked



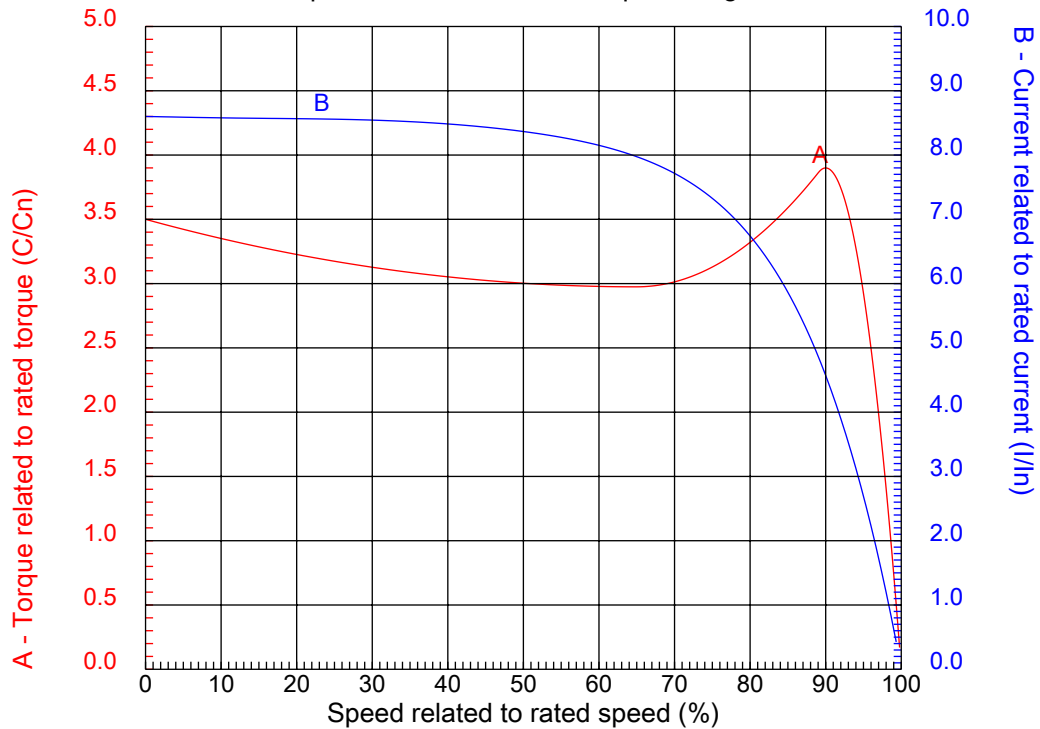
# Dealers Industrial Equipment

No.:

Date: 23-SEP-2016

## CHARACTERISTIC CURVES RELATED TO SPEED

Three-phase induction motor - Squirrel cage rotor



Customer :  
Product line : Three-Phase: W22 IE3 IEC Tru-Metric - TEFC (IP55) Cast Iron Frame

Frame	: 180L	Locked rotor current (I <sub>l</sub> /I <sub>n</sub> )	: 8.6
Output	: 30 HP	Duty cycle	: S1
Frequency	: 60 Hz	Service factor	: 1.25
Full load speed	: 1775 rpm	Design	: ---
Voltage	: 460 V	Locked rotor torque	: 350 %
Rated current	: 36.0 A	Breakdown torque	: 390 %
Insulation class	: F		

Notes:  
Downloaded from <http://dealerselectric.com>  
Generated for Model #02218ET3Y180L-W22

Performed by

Checked

1 2 3 4 5 6 7 8

A

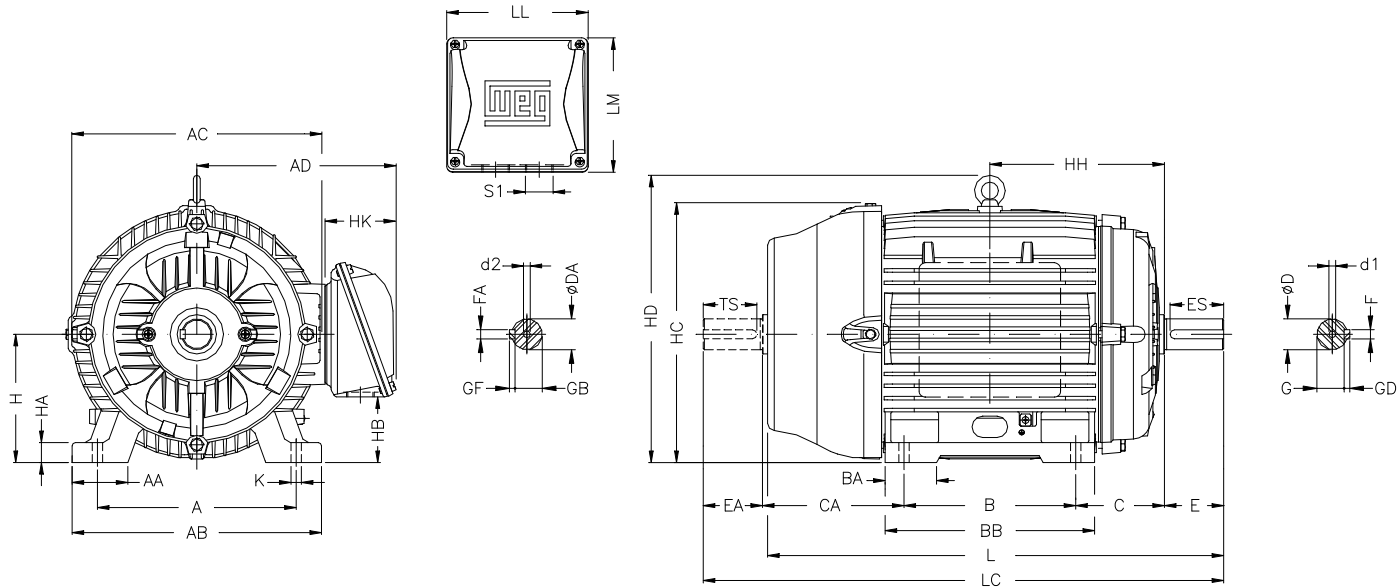
B

C

D

E

F



Notes: Downloaded from <http://dealerselectric.com>  
Generated for Model #02218ET3Y180L-W22

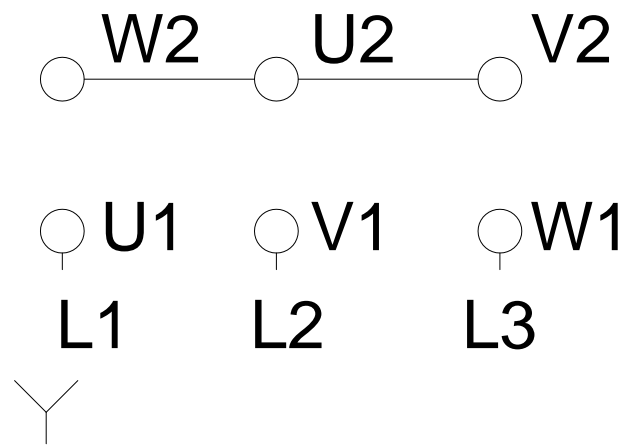
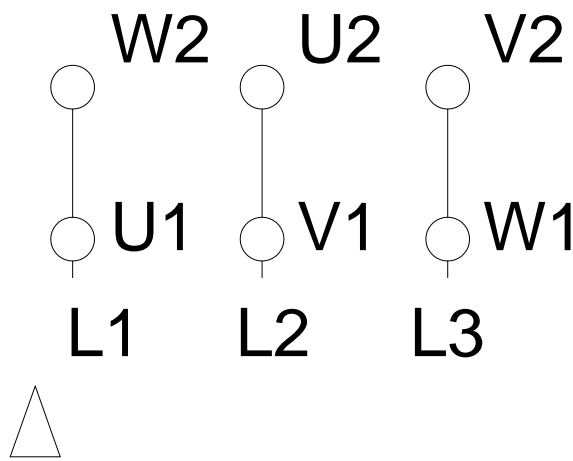
A 279	AA 78	AB 350	AC 360	AD 281
B 279	BA 70	BB 332	C 121	CA 200
D 48k6	E 110	ES 80	F 14	G 42.5
GD 9	DA 48k6	EA 110	TS 80	FA 14
GB 42.5	GF 9	H 180	HA 28	HC 366
HD 413	K 14.5	L 702	LC 820	S1 2xM40x1,5
d1 DM16	d2 DM16			

Performed by:	
Checked:	
Customer:	
Three-Phase: W22 IE3 IEC Tru-Metric - TEFC (IP55) Cast Iron Frame	
Three-phase induction motor Frame 180L - IP55	23-SEP-2016



# LOW VOLTAGE

# HIGH VOLTAGE



Notes: Downloaded from <a href="http://dealerselectric.com">http://dealerselectric.com</a> Generated for Model #02218ET3Y180L-W22		
Performed by:		
Checked:		
Customer:		
Three-Phase: W22 IE3 IEC Tru-Metric - TEFC (IP55) Cast Iron Frame		
Three-phase induction motor Frame 180L - IP55	23-SEP-2016	