



Dealers Industrial Equipment

No.:

Date: 23-SEP-2016

Customer :

TECHNICAL PROPOSAL

Three-phase induction motor - Squirrel cage rotor

Product line : Three-Phase : IEC Tru-Metric - TEFC (IP55) - Cast Iron Frame

Catalog Number : 02218EP3E180L

List Price : \$2,741

Notes:

Downloaded from <http://dealerselectric.com>

Generated for Model #02218EP3E180L

Performed by:

Checked:



Dealers Industrial Equipment

No.:

Date: 23-SEP-2016

DATA SHEET Three-phase induction motor - Squirrel cage rotor

Customer :
Product line : Three-Phase : IEC Tru-Metric - TEFC (IP55) - Cast Iron Frame

Frame : 180L
Output : 30 HP
Frequency : 60 Hz
Poles : 4
Full load speed : 1770 rpm
Slip : 1.67 %
Voltage : 230/460 V
Rated current : 73.8/36.9 A
Locked rotor current : 642/321 A
Locked rotor current (I_L/I_n) : 8.7
No-load current : 31.8/15.9 A
Full load torque : 87.8 lb.ft
Locked rotor torque : 350 %
Breakdown torque : 320 %
Design : ---
Insulation class : F
Temperature rise : 80 K
Locked rotor time : 11 s (hot)
Service factor : 1.15
Duty cycle : S1
Ambient temperature : -20°C - +40°C
Altitude : 1000 m
Degree of Protection : IP55
Approximate weight : 436 lb
Moment of inertia : 5.5341 sq.ft.lb
Noise level : 68 dB(A)

	D.E.	N.D.E.
Bearings	6311 C3	6211 C3
Regreasing interval	20000 h	20000 h
Grease amount	18 g	11 g

Load	Power factor	Efficiency (%)
100%	0.81	92.4
75%	0.76	92.4
50%	0.65	91.0

Notes:
Downloaded from <http://dealerselectric.com>
Generated for Model #02218EP3E180L

Performed by

Checked



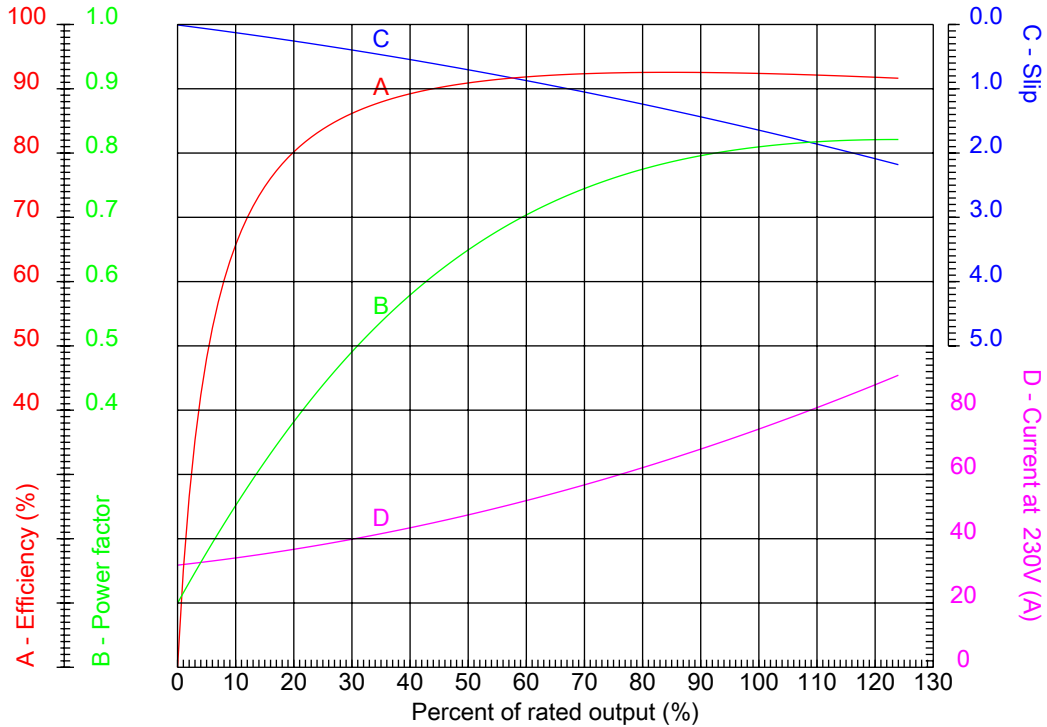
Dealers Industrial Equipment

No.:

Date: 23-SEP-2016

PERFORMANCE CURVES RELATED TO RATED OUTPUT

Three-phase induction motor - Squirrel cage rotor



Customer :
 Product line : Three-Phase : IEC Tru-Metric - TEFC (IP55) - Cast Iron Frame

Frame : 180L	Locked rotor current (I _L /I _n) : 8.7
Output : 30 HP	Duty cycle : S1
Frequency : 60 Hz	Service factor : 1.15
Full load speed : 1770 rpm	Design : ---
Voltage : 230/460 V	Locked rotor torque : 350 %
Rated current : 73.8/36.9 A	Breakdown torque : 320 %
Insulation class : F	

Notes:
 Downloaded from <http://dealerselectric.com>
 Generated for Model #02218EP3E180L

Performed by

Checked



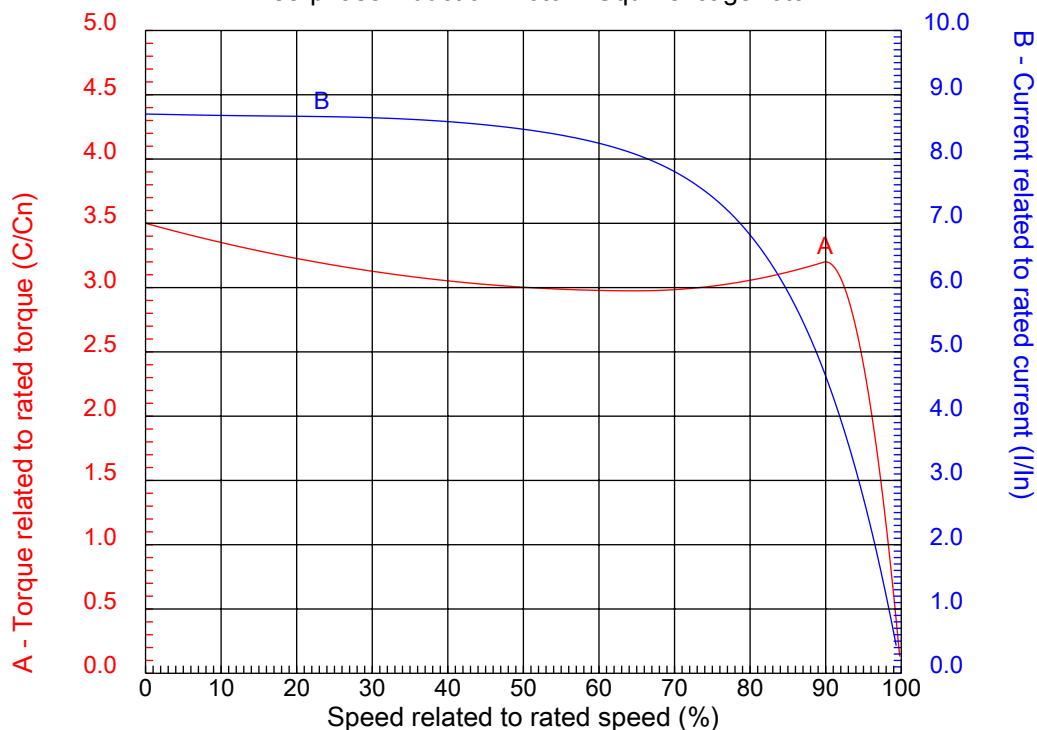
Dealers Industrial Equipment

No.:

Date: 23-SEP-2016

CHARACTERISTIC CURVES RELATED TO SPEED

Three-phase induction motor - Squirrel cage rotor



Customer :
Product line : Three-Phase : IEC Tru-Metric - TEFC (IP55) - Cast Iron Frame

Frame	: 180L	Locked rotor current (I _l /I _n)	: 8.7
Output	: 30 HP	Duty cycle	: S1
Frequency	: 60 Hz	Service factor	: 1.15
Full load speed	: 1770 rpm	Design	: ---
Voltage	: 230/460 V	Locked rotor torque	: 350 %
Rated current	: 73.8/36.9 A	Breakdown torque	: 320 %
Insulation class	: F		

Notes:
Downloaded from <http://dealerselectric.com>
Generated for Model #02218EP3E180L

Performed by

Checked

1 2 3 4 5 6 7 8

A

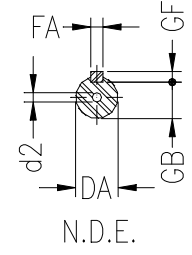
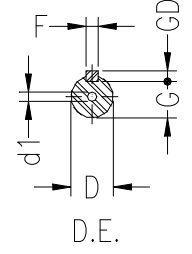
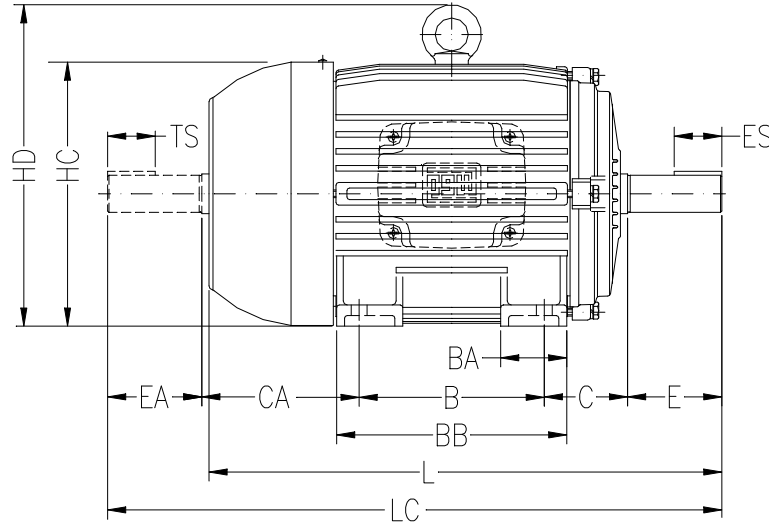
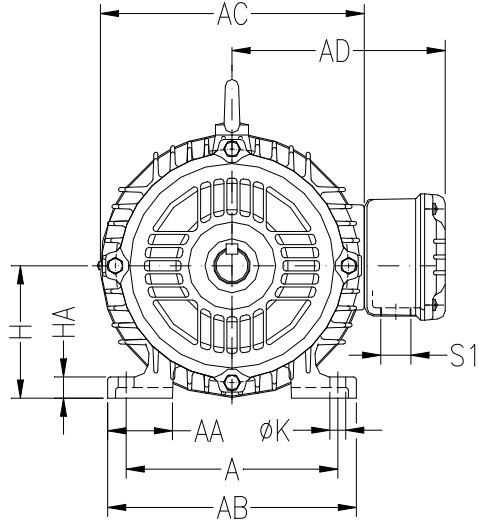
B

C

D

E

F

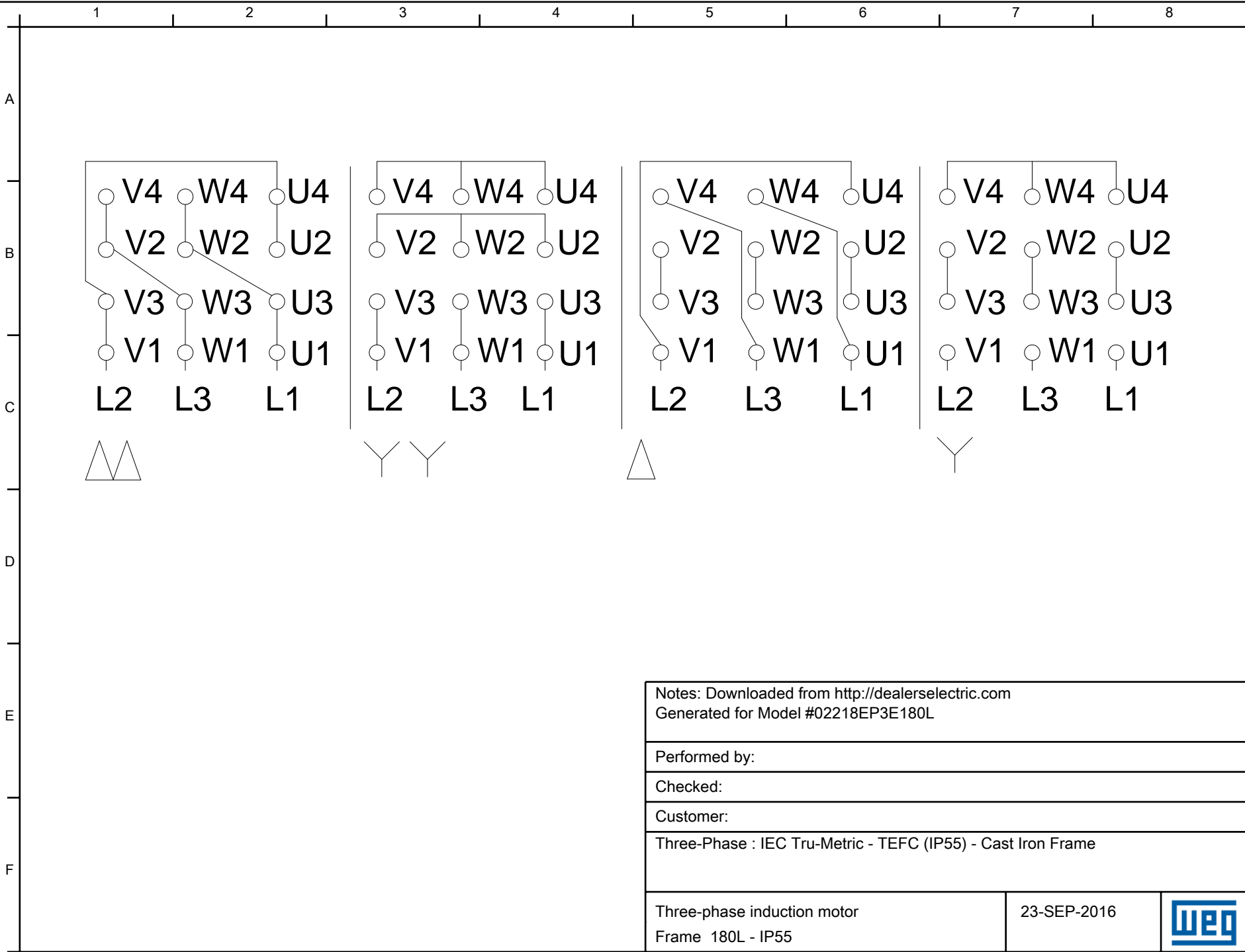


Notes: Downloaded from <http://dealerselectric.com>
Generated for Model #02218EP3E180L

A 279	AA 80	AB 350	AC 358	AD 275
B 279	BA 75	BB 332	C 121	CA 200
D 48k6	E 110	ES 80	F 14	G 42.5
GD 9	DA 48k6	EA 110	TS 80	FA 14
GB 42.5	GF 9	H 180	HA 28	HC 360
HD 413	K 14.5	L 702	LC 820	S1 NPT 1 1/2"
d1 DM16	d2 DM16			

Performed by:	
Checked:	
Customer:	
Three-Phase : IEC Tru-Metric - TEFC (IP55) - Cast Iron Frame	
Three-phase induction motor Frame 180L - IP55	23-SEP-2016





Notes: Downloaded from <http://dealerselectric.com>
 Generated for Model #02218EP3E180L

Performed by:

Checked:

Customer:

Three-Phase : IEC Tru-Metric - TEFC (IP55) - Cast Iron Frame

Three-phase induction motor
 Frame 180L - IP55

23-SEP-2016

