



# Dealers Industrial Equipment

No.:

Date: 23-SEP-2016

Customer :

## TECHNICAL PROPOSAL

### Three-phase induction motor - Squirrel cage rotor

Product line : ODP – Open Induction Motors – NEMA Premium Efficiency

Catalog Number : 02036OT3H254T

List Price : \$1,760

#### Notes:

Downloaded from <http://dealerselectric.com>

Generated for Model #02036OT3H254T

Performed by:

Checked:



# Dealers Industrial Equipment

No.:

Date: 23-SEP-2016

## DATA SHEET Three-phase induction motor - Squirrel cage rotor

Customer :  
 Product line : ODP – Open Induction Motors – NEMA Premium Efficiency

Frame : 254T  
 Output : 20 HP  
 Frequency : 60 Hz  
 Poles : 2  
 Full load speed : 3520 rpm  
 Slip : 2.22 %  
 Voltage : 575 V  
 Rated current : 19.7 A  
 Locked rotor current : 118 A  
 Locked rotor current (I<sub>L</sub>/I<sub>n</sub>) : 6.0  
 No-load current : 7.60 A  
 Full load torque : 29.4 lb.ft  
 Locked rotor torque : 190 %  
 Breakdown torque : 250 %  
 Design : B  
 Insulation class : F  
 Temperature rise : 80 K  
 Locked rotor time : 12 s (hot)  
 Service factor : 1.15  
 Duty cycle : S1  
 Ambient temperature : -20°C - +40°C  
 Altitude : 1000 m  
 Degree of Protection : IP23  
 Approximate weight : 203 lb  
 Moment of inertia : 0.73278 sq.ft.lb  
 Noise level : 66 dB(A)

	D.E.	N.D.E.
Bearings	6309 Z-C3	6209 Z-C3
Regreasing interval	20000 h	20000 h
Grease amount	13 g	9 g

Load	Power factor	Efficiency (%)
100%	0.84	91.0
75%	0.80	90.2
50%	0.71	89.5

Notes:  
 Downloaded from <http://dealerselectric.com>  
 Generated for Model #02036OT3H254T

Performed by

Checked



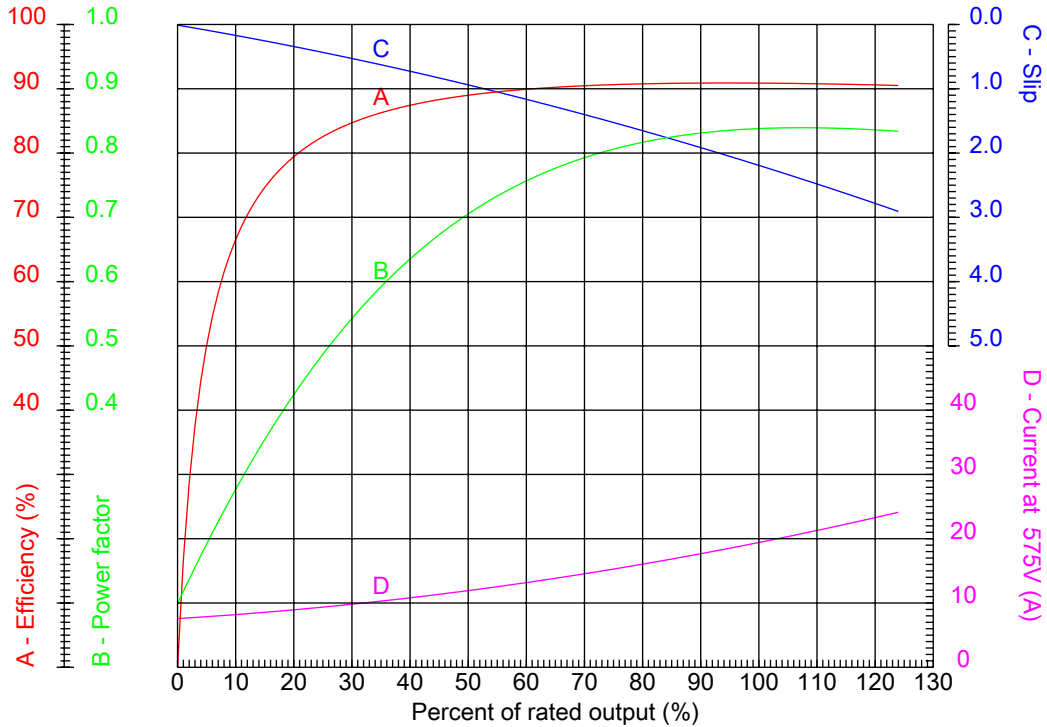
# Dealers Industrial Equipment

No.:

Date: 23-SEP-2016

## PERFORMANCE CURVES RELATED TO RATED OUTPUT

Three-phase induction motor - Squirrel cage rotor



Customer :  
 Product line : ODP – Open Induction Motors – NEMA Premium Efficiency

Frame	: 254T	Locked rotor current (I <sub>L</sub> /I <sub>n</sub> )	: 6.0
Output	: 20 HP	Duty cycle	: S1
Frequency	: 60 Hz	Service factor	: 1.15
Full load speed	: 3520 rpm	Design	: B
Voltage	: 575 V	Locked rotor torque	: 190 %
Rated current	: 19.7 A	Breakdown torque	: 250 %
Insulation class	: F		

Notes:  
 Downloaded from <http://dealerselectric.com>  
 Generated for Model #02036OT3H254T

Performed by

Checked



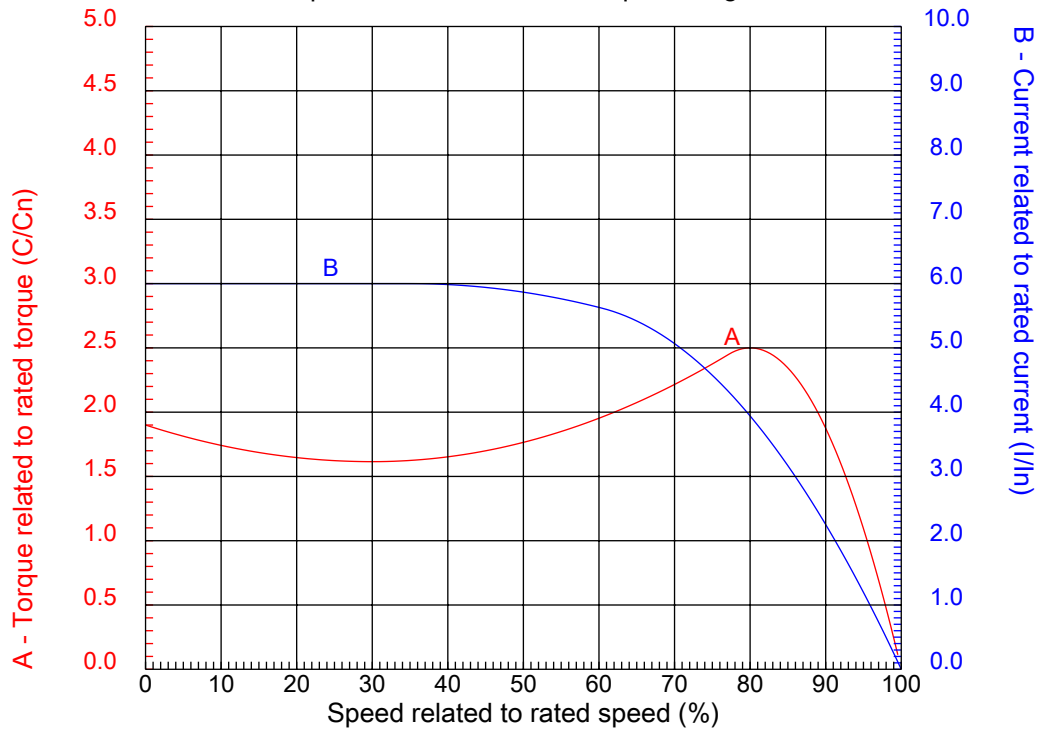
# Dealers Industrial Equipment

No.:

Date: 23-SEP-2016

## CHARACTERISTIC CURVES RELATED TO SPEED

Three-phase induction motor - Squirrel cage rotor



Customer :  
Product line : ODP – Open Induction Motors – NEMA Premium Efficiency

Frame	: 254T	Locked rotor current (I <sub>l</sub> /I <sub>n</sub> )	: 6.0
Output	: 20 HP	Duty cycle	: S1
Frequency	: 60 Hz	Service factor	: 1.15
Full load speed	: 3520 rpm	Design	: B
Voltage	: 575 V	Locked rotor torque	: 190 %
Rated current	: 19.7 A	Breakdown torque	: 250 %
Insulation class	: F		

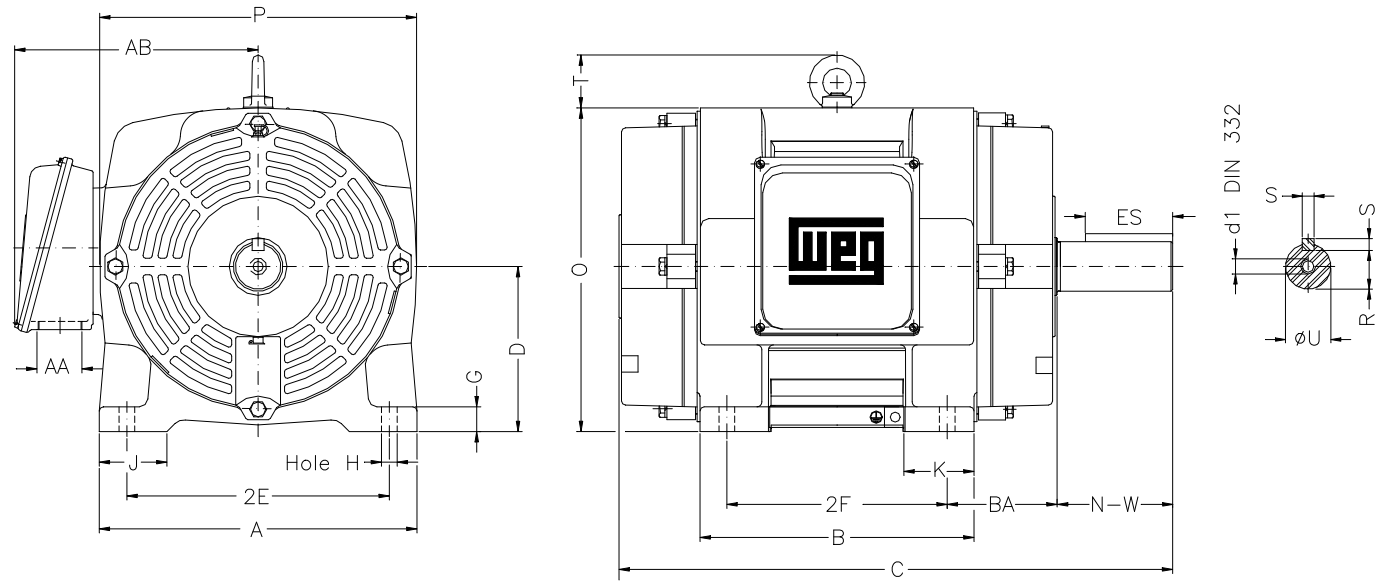
Notes:  
Downloaded from <http://dealerselectric.com>  
Generated for Model #02036OT3H254T

Performed by

Checked

1 2 3 4 5 6 7 8

A  
B  
C  
D  
E  
F



Notes: Downloaded from <http://dealerselectric.com>  
Generated for Model #02036OT3H254T

Performed by:

Checked:

Customer:

ODP – Open Induction Motors – NEMA Premium Efficiency

2E 10.000	J 2.520	A 12.130	P 11.812	AB 10.079
2F 8.250	K 2.560	B 10.100	BA 4.250	U 1.625
d1 A 4	N-W 4.000	ES 2.756	S 0.375	R 1.416
depth 0.375	D 6.250	G 0.787	O 12.204	T 2.165
H 0.531	C 20.669	AA NPT 1 1/2"		

Three-phase induction motor  
Frame 254T - IP23

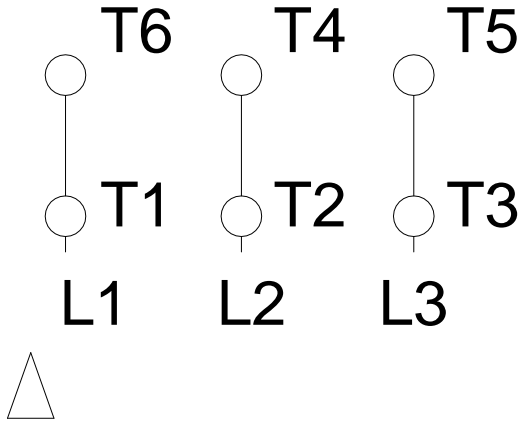
23-SEP-2016



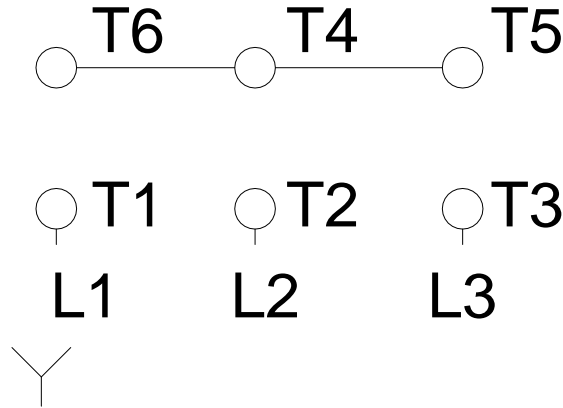
1 2 3 4 5 6 7 8

A  
B  
C  
D  
E  
F

### RUN



### ONLY FOR START



Notes: Downloaded from <a href="http://dealerselectric.com">http://dealerselectric.com</a> Generated for Model #02036OT3H254T		
Performed by:		
Checked:		
Customer:		
ODP – Open Induction Motors – NEMA Premium Efficiency		
Three-phase induction motor Frame 254T - IP23	23-SEP-2016	