



Dealers Industrial Equipment

No.:

Date: 23-SEP-2016

Customer :

TECHNICAL PROPOSAL

Three-phase induction motor - Squirrel cage rotor

Product line : Fire Pump Motors - ODP Three Phase - Foot Mount and Flange Mount

Catalog Number : 02036OP3VFP254TC

List Price : \$1,469

Notes:

Downloaded from <http://dealerselectric.com>

Generated for Model #02036OP3VFP254TC

Performed by:

Checked:



Dealers Industrial Equipment

No.:

Date: 23-SEP-2016

DATA SHEET Three-phase induction motor - Squirrel cage rotor

Customer :
 Product line : Fire Pump Motors - ODP Three Phase - Foot Mount and Flange Mount

Frame : 254T
 Output : 20 HP
 Frequency : 60 Hz
 Poles : 2
 Full load speed : 3540 rpm
 Slip : 1.67 %
 Voltage : 200/400 V
 Rated current : 55.9/27.9 A
 Locked rotor current : 324/162 A
 Locked rotor current (I_L/I_n) : 5.8
 No-load current : 18.9/9.43 A
 Full load torque : 29.3 lb.ft
 Locked rotor torque : 190 %
 Breakdown torque : 250 %
 Design : B
 Insulation class : F
 Temperature rise : 80 K
 Locked rotor time : 10 s (hot)
 Service factor : 1.15
 Duty cycle : S1
 Ambient temperature : -20°C - +40°C
 Altitude : 1000 m
 Degree of Protection : IP23
 Approximate weight : 198 lb
 Moment of inertia : 0.80279 sq.ft.lb
 Noise level : 66 dB(A)

| | D.E. | N.D.E. |
|---------------------|-----------|-----------|
| Bearings | 6309 Z-C3 | 6209 Z-C3 |
| Regreasing interval | 20000 h | 20000 h |
| Grease amount | 13 g | 9 g |

| Load | Power factor | Efficiency (%) |
|------|--------------|----------------|
| 100% | 0.86 | 90.2 |
| 75% | 0.83 | 90.2 |
| 50% | 0.74 | 89.5 |

Notes:
 Downloaded from <http://dealerselectric.com>
 Generated for Model #02036OP3VFP254TC

Performed by

Checked



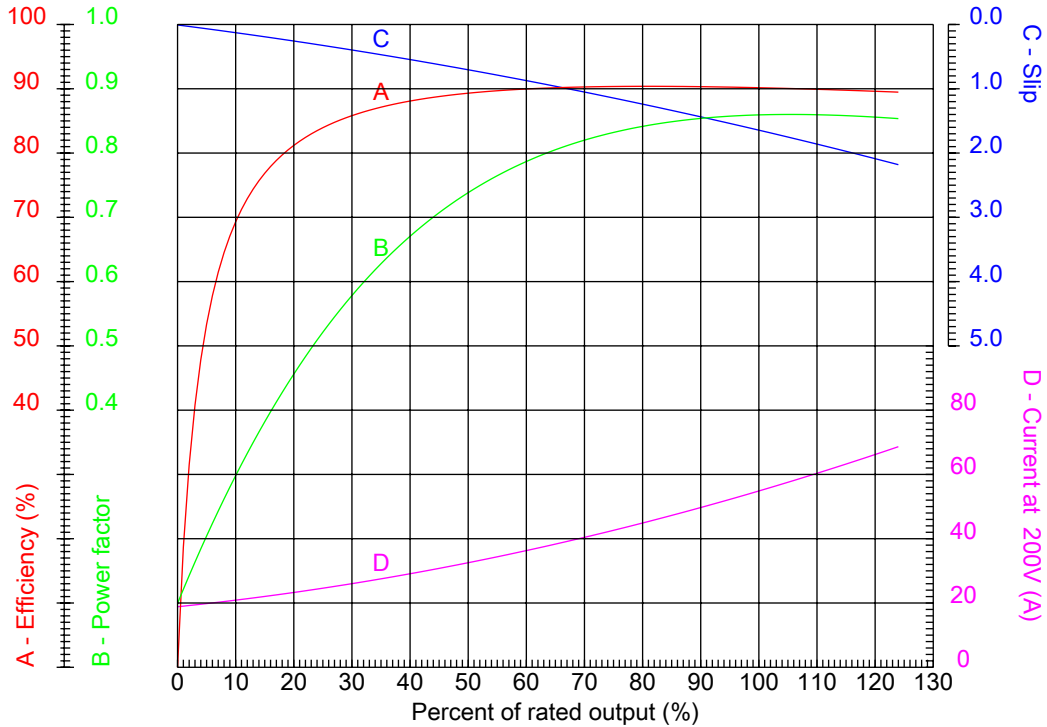
Dealers Industrial Equipment

No.:

Date: 23-SEP-2016

PERFORMANCE CURVES RELATED TO RATED OUTPUT

Three-phase induction motor - Squirrel cage rotor



Customer :
 Product line : Fire Pump Motors - ODP Three Phase - Foot Mount and Flange Mount

| | |
|-----------------------------|--|
| Frame : 254T | Locked rotor current (I _l /I _n) : 5.8 |
| Output : 20 HP | Duty cycle : S1 |
| Frequency : 60 Hz | Service factor : 1.15 |
| Full load speed : 3540 rpm | Design : B |
| Voltage : 200/400 V | Locked rotor torque : 190 % |
| Rated current : 55.9/27.9 A | Breakdown torque : 250 % |
| Insulation class : F | |

Notes:
 Downloaded from <http://dealerselectric.com>
 Generated for Model #02036OP3VFP254TC

Performed by

Checked



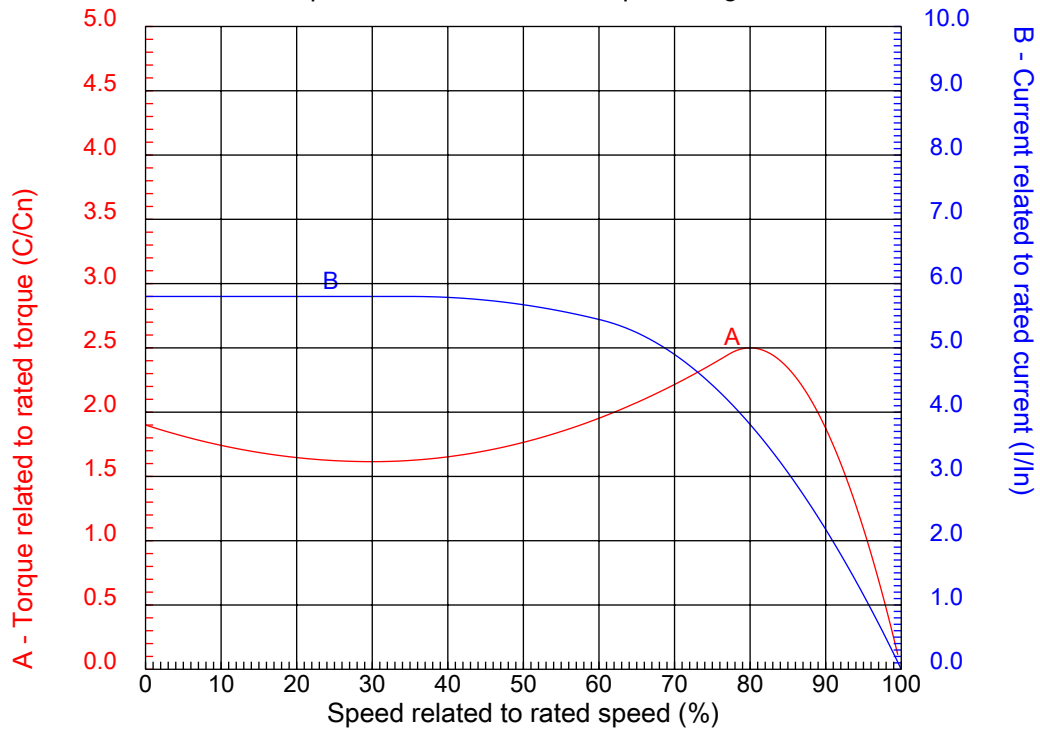
Dealers Industrial Equipment

No.:

Date: 23-SEP-2016

CHARACTERISTIC CURVES RELATED TO SPEED

Three-phase induction motor - Squirrel cage rotor



Customer :
Product line : Fire Pump Motors - ODP Three Phase - Foot Mount and Flange Mount

| | | | |
|------------------|---------------|--|---------|
| Frame | : 254T | Locked rotor current (I _l /I _n) | : 5.8 |
| Output | : 20 HP | Duty cycle | : S1 |
| Frequency | : 60 Hz | Service factor | : 1.15 |
| Full load speed | : 3540 rpm | Design | : B |
| Voltage | : 200/400 V | Locked rotor torque | : 190 % |
| Rated current | : 55.9/27.9 A | Breakdown torque | : 250 % |
| Insulation class | : F | | |

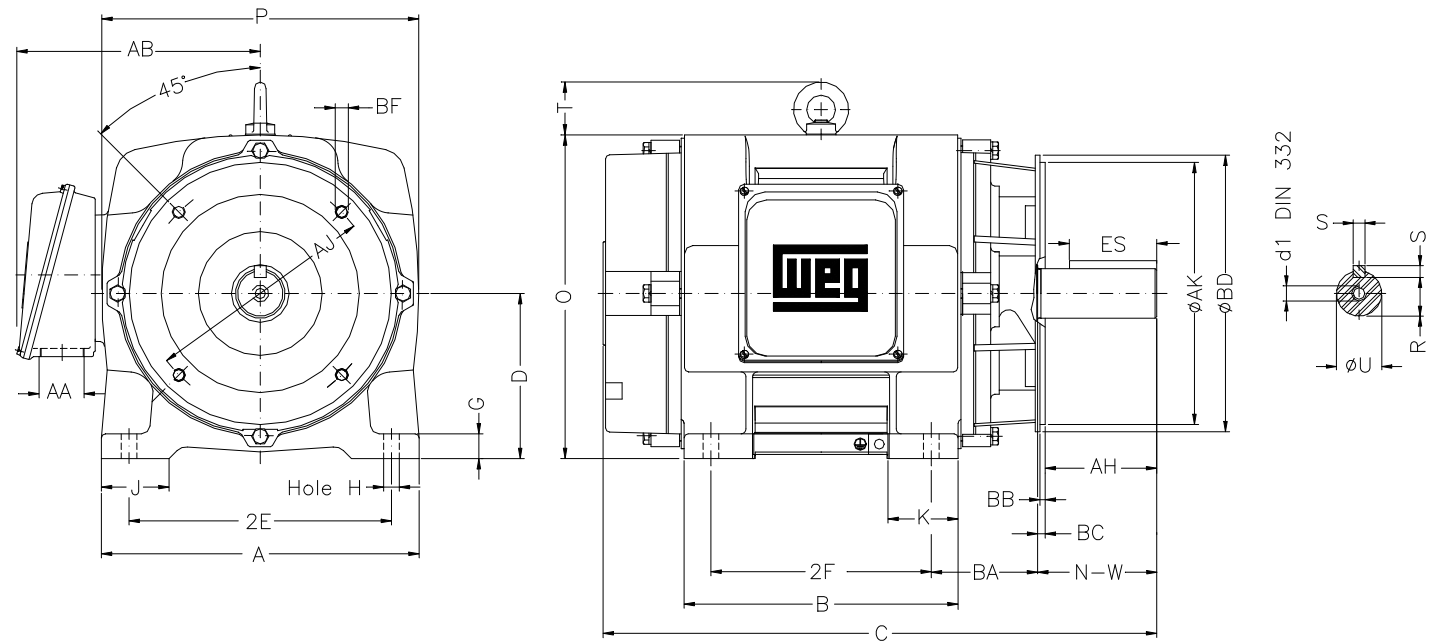
Notes:
Downloaded from <http://dealerselectric.com>
Generated for Model #02036OP3VFP254TC

Performed by

Checked

1 2 3 4 5 6 7 8

A
B
C
D
E
F



Notes: Downloaded from <http://dealerselectric.com>
Generated for Model #02036OP3VFP254TC

| | | | | |
|--------------|------------------|-------------------|------------------|----------------|
| 2E 10.000 | A 12.130 | 2F 8.250 | B 10.100 | BA 4.250 |
| J 2.520 | K 2.560 | P 11.812 | ES 2.756 | depth 0.375 |
| S 0.375 | D 6.250 | N-W 4.000 | G 0.787 | U 1.625 |
| O 12.204 | T 2.165 | R 1.416 | H 0.531 | AB 10.079 |
| C 20.669 | AA NPT 1 1/2" | d1 A 4 | Flange FC-184 | AJ 7.250 |
| AK 8.500 | BD 8.875 | BF UNC 1/2"x13 | BB 0.250 | BC 0.250 |
| AH 3.750 | | | | |

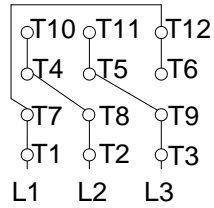
Performed by:
Checked:
Customer:
Fire Pump Motors - ODP Three Phase - Foot Mount and Flange Mount
Three-phase induction motor
Frame 254T - IP23
23-SEP-2016

1 2 3 4 5 6 7 8

A
B
C
D
E
F

LOW VOLTAGE

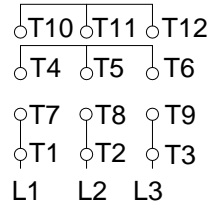
HIGH VOLTAGE



CONNECTIONS FOR STARTING ONLY:

LOW VOLTAGE

HIGH VOLTAGE



Notes: Downloaded from <http://dealerselectric.com>
Generated for Model #02036OP3VFP254TC

Performed by:

Checked:

Customer:

Fire Pump Motors - ODP Three Phase - Foot Mount and Flange Mount

Three-phase induction motor
Frame 254T - IP23

23-SEP-2016

