



Dealers Industrial Equipment

No.:

Date: 23-SEP-2016

Customer :

TECHNICAL PROPOSAL

Three-phase induction motor - Squirrel cage rotor

Product line : Fire Pump: Three Phase - W01 (Rolled Steel) - ODP - High Efficiency

Catalog Number : 02036OP3VFP254TC-S

List Price : \$1,469

Notes:

Downloaded from <http://dealerselectric.com>

Generated for Model #02036OP3VFP254TC-S

Performed by:

Checked:



# Dealers Industrial Equipment

No.:

Date: 23-SEP-2016

## DATA SHEET Three-phase induction motor - Squirrel cage rotor

Customer :  
 Product line : Fire Pump: Three Phase - W01 (Rolled Steel) - ODP - High Efficiency

Frame : 254/6T  
 Output : 20 HP  
 Frequency : 60 Hz  
 Poles : 2  
 Full load speed : 3520 rpm  
 Slip : 2.22 %  
 Voltage : 200/400 V  
 Rated current : 54.5/27.3 A  
 Locked rotor current : 327/164 A  
 Locked rotor current (I<sub>L</sub>/I<sub>n</sub>) : 6.0  
 No-load current : 21.0/10.5 A  
 Full load torque : 29.4 lb.ft  
 Locked rotor torque : 180 %  
 Breakdown torque : 240 %  
 Design : B  
 Insulation class : F  
 Temperature rise : 80 K  
 Locked rotor time : 9 s (hot)  
 Service factor : 1.15  
 Duty cycle : S1  
 Ambient temperature : -20°C - +40°C  
 Altitude : 1000 m  
 Degree of Protection : ODP  
 Approximate weight : 151 lb  
 Moment of inertia : 0.69742 sq.ft.lb  
 Noise level : 70 dB(A)

	D.E.	N.D.E.
Bearings	6309 Z-C3	6208 Z-C3
Regreasing interval	20000 h	20000 h
Grease amount	13 g	8 g

Load	Power factor	Efficiency (%)
100%	0.88	90.2
75%	0.84	89.5
50%	0.75	88.5

Notes:  
 Downloaded from <http://dealerselectric.com>  
 Generated for Model #02036OP3VFP254TC-S

Performed by

Checked



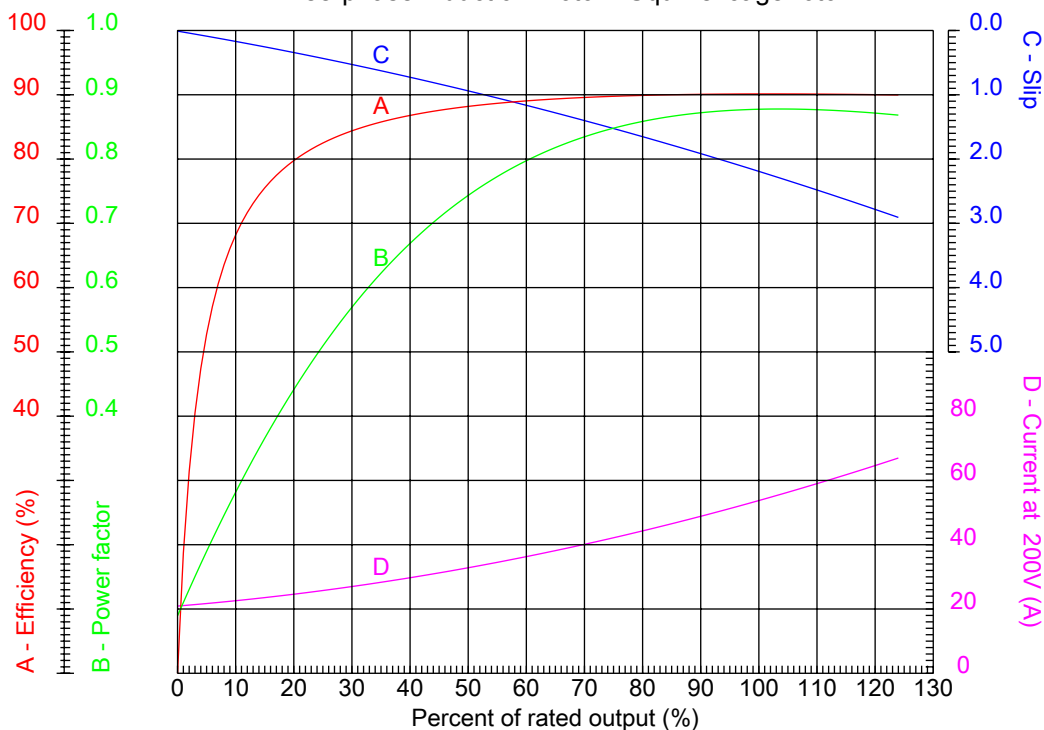
# Dealers Industrial Equipment

No.:

Date: 23-SEP-2016

## PERFORMANCE CURVES RELATED TO RATED OUTPUT

Three-phase induction motor - Squirrel cage rotor



Customer :  
Product line : Fire Pump: Three Phase - W01 (Rolled Steel) - ODP - High Efficiency

Frame : 254/6T	Locked rotor current (I <sub>l</sub> /I <sub>n</sub> ) : 6.0
Output : 20 HP	Duty cycle : S1
Frequency : 60 Hz	Service factor : 1.15
Full load speed : 3520 rpm	Design : B
Voltage : 200/400 V	Locked rotor torque : 180 %
Rated current : 54.5/27.3 A	Breakdown torque : 240 %
Insulation class : F	

Notes:  
Downloaded from <http://dealerselectric.com>  
Generated for Model #02036OP3VFP254TC-S

Performed by

Checked



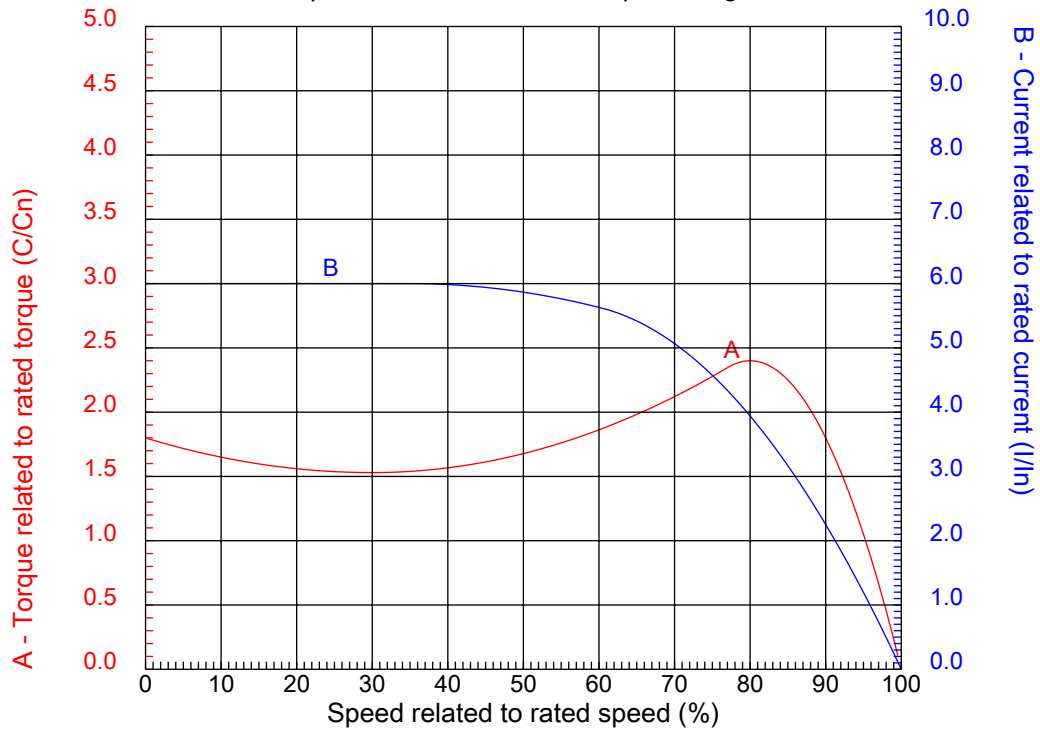
# Dealers Industrial Equipment

No.:

Date: 23-SEP-2016

## CHARACTERISTIC CURVES RELATED TO SPEED

Three-phase induction motor - Squirrel cage rotor



Customer :  
Product line : Fire Pump: Three Phase - W01 (Rolled Steel) - ODP - High Efficiency

Frame	: 254/6T	Locked rotor current (I <sub>l</sub> /I <sub>n</sub> )	: 6.0
Output	: 20 HP	Duty cycle	: S1
Frequency	: 60 Hz	Service factor	: 1.15
Full load speed	: 3520 rpm	Design	: B
Voltage	: 200/400 V	Locked rotor torque	: 180 %
Rated current	: 54.5/27.3 A	Breakdown torque	: 240 %
Insulation class	: F		

Notes:  
Downloaded from <http://dealerselectric.com>  
Generated for Model #02036OP3VFP254TC-S

Performed by

Checked

1 2 3 4 5 6 7 8

A

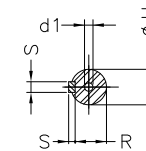
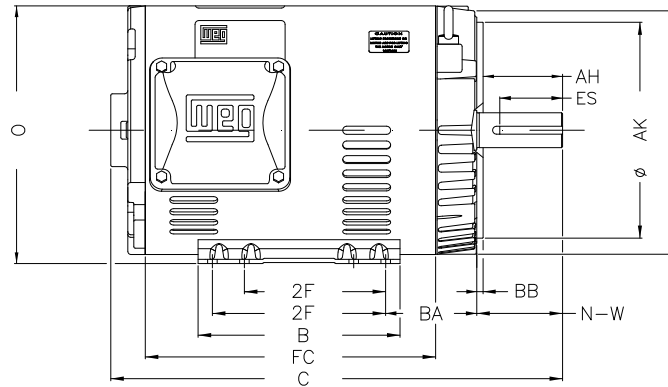
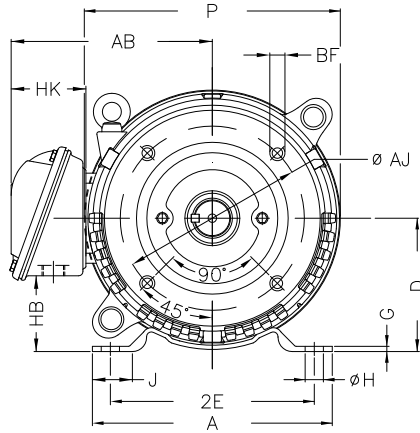
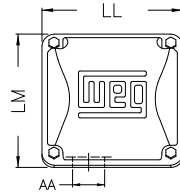
B

C

D

E

F



Notes: Downloaded from <http://dealerselectric.com>  
Generated for Model #02036OP3VFP254TC-S

P	AB	J	2E	A
11.558	9.448	1.693	10.000	11.417
H	G	HB	HK	T
0.530	0.187	3.631	3.645	0.019
O	FC	2F	B	C
12.010	12.992	8.252/10.000	11.417	20.472
BA	N-W	ES	d1	S
4.750	3.380	2.756	A 4	0.375
U	AA	depth	R	LL
1.625	1.732"	0.375	1.416	6.299
LM	D	CH	Flange	AJ
6.017	6.250	1.929	FC-184	7.250
AK	BD	BF	BB	AH
8.500	11.084	UNC 1/2"x13	0.250	3.750

Performed by:

Checked:

Customer:

Fire Pump: Three Phase - W01 (Rolled Steel) - ODP - High Efficiency

Three-phase induction motor  
Frame 254/6T - ODP

23-SEP-2016

