



Dealers Industrial Equipment

No.:

Date: 23-SEP-2016

Customer :

TECHNICAL PROPOSAL

Three-phase induction motor - Squirrel cage rotor

Product line : Close Coupled Pump : Three-Phase - "JM" Type - ODP - High Efficiency

Catalog Number : 02036OP3H254JMV

List Price : \$2,092

Notes:

Downloaded from <http://dealerselectric.com>

Generated for Model #02036OP3H254JMV

Performed by:

Checked:



Dealers Industrial Equipment

No.:

Date: 23-SEP-2016

DATA SHEET Three-phase induction motor - Squirrel cage rotor

Customer :
 Product line : Close Coupled Pump : Three-Phase - "JM" Type - ODP - High Efficiency

Frame : 254JM
 Output : 20 HP
 Frequency : 60 Hz
 Poles : 2
 Full load speed : 3540 rpm
 Slip : 1.67 %
 Voltage : 575 V
 Rated current : 19.4 A
 Locked rotor current : 113 A
 Locked rotor current (I_L/I_n) : 5.8
 No-load current : 6.56 A
 Full load torque : 29.3 lb.ft
 Locked rotor torque : 190 %
 Breakdown torque : 250 %
 Design : B
 Insulation class : F
 Temperature rise : 80 K
 Locked rotor time : 10 s (hot)
 Service factor : 1.15
 Duty cycle : S1
 Ambient temperature : -20°C - +40°C
 Altitude : 1000 m
 Degree of Protection : IP23
 Approximate weight : 179 lb
 Moment of inertia : 0.80279 sq.ft.lb
 Noise level : 66 dB(A)

	D.E.	N.D.E.
Bearings	6309 Z-C3	6209 Z-C3
Regreasing interval	10000 h	10000 h
Grease amount	13 g	9 g

Load	Power factor	Efficiency (%)
100%	0.86	90.2
75%	0.83	90.2
50%	0.74	89.5

Notes:
 Downloaded from <http://dealerselectric.com>
 Generated for Model #02036OP3H254JMV

Performed by

Checked



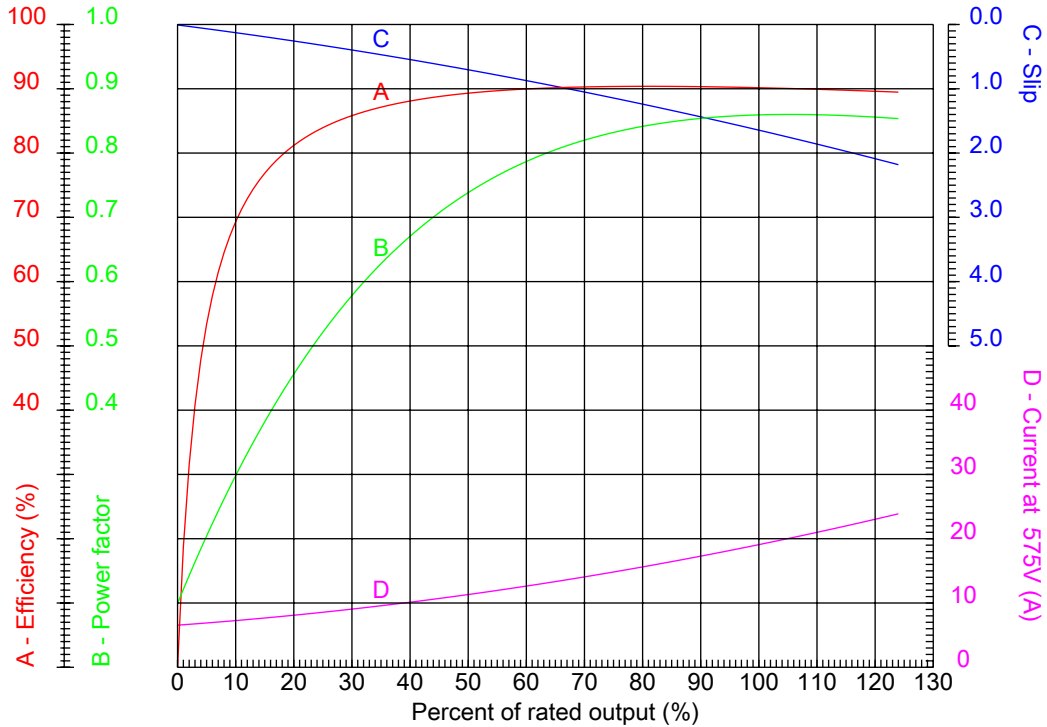
Dealers Industrial Equipment

No.:

Date: 23-SEP-2016

PERFORMANCE CURVES RELATED TO RATED OUTPUT

Three-phase induction motor - Squirrel cage rotor



Customer :
 Product line : Close Coupled Pump : Three-Phase - "JM" Type - ODP - High Efficiency

Frame	: 254JM	Locked rotor current (I _l /I _n)	: 5.8
Output	: 20 HP	Duty cycle	: S1
Frequency	: 60 Hz	Service factor	: 1.15
Full load speed	: 3540 rpm	Design	: B
Voltage	: 575 V	Locked rotor torque	: 190 %
Rated current	: 19.4 A	Breakdown torque	: 250 %
Insulation class	: F		

Notes:
 Downloaded from <http://dealerselectric.com>
 Generated for Model #02036OP3H254JMV

Performed by

Checked



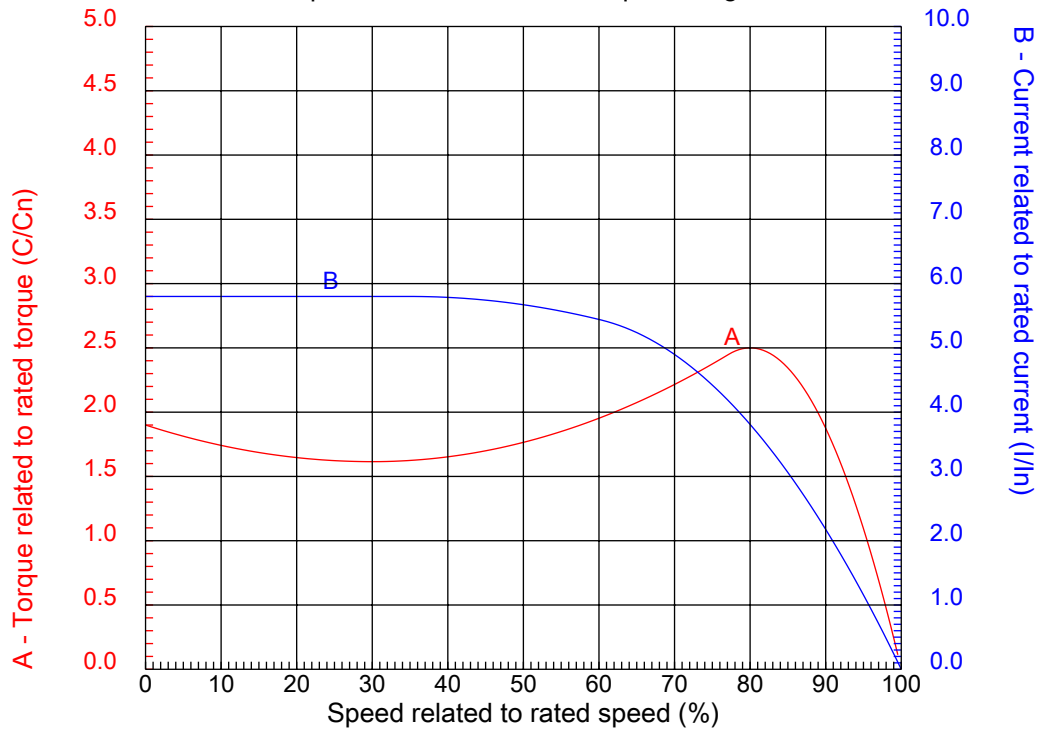
Dealers Industrial Equipment

No.:

Date: 23-SEP-2016

CHARACTERISTIC CURVES RELATED TO SPEED

Three-phase induction motor - Squirrel cage rotor



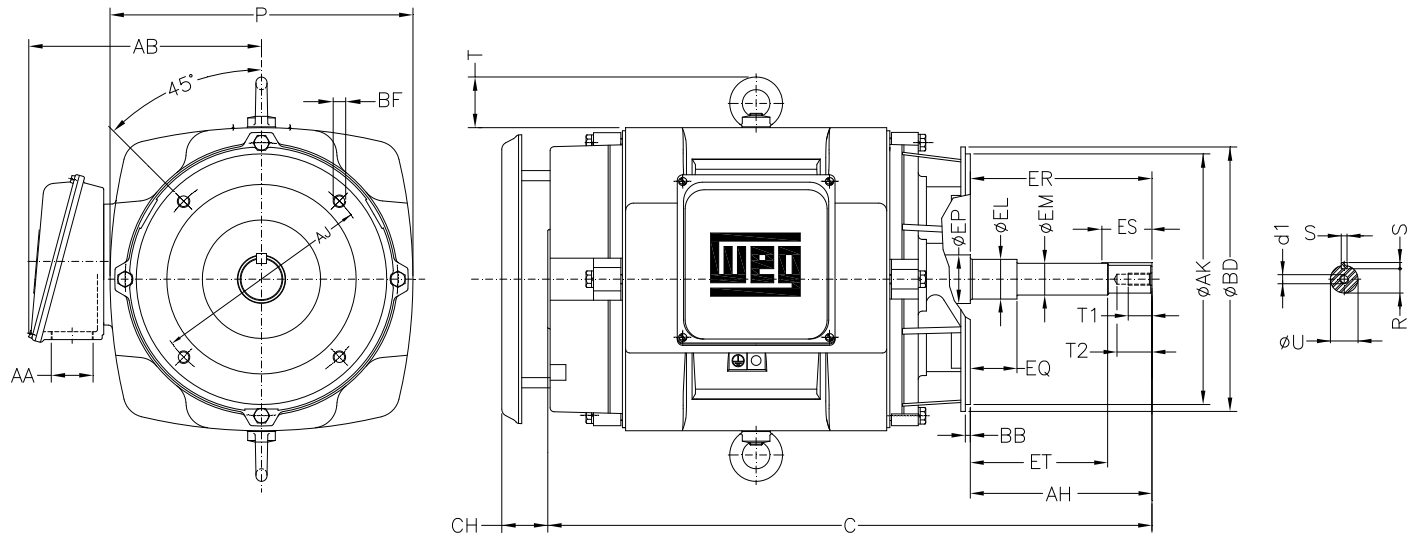
Customer :
Product line : Close Coupled Pump : Three-Phase - "JM" Type - ODP - High Efficiency

Frame	: 254JM	Locked rotor current (I _l /I _n)	: 5.8
Output	: 20 HP	Duty cycle	: S1
Frequency	: 60 Hz	Service factor	: 1.15
Full load speed	: 3540 rpm	Design	: B
Voltage	: 575 V	Locked rotor torque	: 190 %
Rated current	: 19.4 A	Breakdown torque	: 250 %
Insulation class	: F		

Notes:
Downloaded from <http://dealerselectric.com>
Generated for Model #02036OP3H254JMV

Performed by

Checked



Notes: Downloaded from <http://dealerselectric.com>
 Generated for Model #02036OP3H254JMV

Performed by:

Checked:

Customer:

Close Coupled Pump : Three-Phase - "JM" Type - ODP - High Efficiency

Three-phase induction motor
 Frame 254JM - IP23

23-SEP-2016



P	AB	AA	ER	EQ
11.812	10.079	NPT 1 1/2"	5.250	0.630
ET	U	EM	EL	S
3.006	1.249	1.375	1.750	0.250
EP	R	ES	d1	t1
1.750	1.110	2.480	EUNC 1/2"-13	0.984
t2	C	Flange	AJ	AK
1.496	22.169	FC-184	7.250	8.500
BD	BF	BB	AH	
8.858	UNC 1/2"x13	0.250	5.250	

1 2 3 4 5 6 7 8

A
B
C
D
E
F

RUN



ONLY FOR START



Notes: Downloaded from http://dealerselectric.com Generated for Model #02036OP3H254JMV		
Performed by:		
Checked:		
Customer:		
Close Coupled Pump : Three-Phase - "JM" Type - ODP - High Efficiency		
Three-phase induction motor Frame 254JM - IP23	23-SEP-2016	