



Dealers Industrial Equipment

No.:

Date: 23-SEP-2016

Customer :

TECHNICAL PROPOSAL

Three-phase induction motor - Squirrel cage rotor

Product line : Fire Pump: Three Phase - W01 (Rolled Steel) - ODP - High Efficiency

Catalog Number : 02036OP3EFP254TC-S

List Price : \$1,469

Notes:

Downloaded from <http://dealerselectric.com>

Generated for Model #02036OP3EFP254TC-S

Performed by:

Checked:



Dealers Industrial Equipment

No.:

Date: 23-SEP-2016

DATA SHEET Three-phase induction motor - Squirrel cage rotor

Customer :
 Product line : Fire Pump: Three Phase - W01 (Rolled Steel) - ODP - High Efficiency

Frame : 254/6T
 Output : 20 HP
 Frequency : 60 Hz
 Poles : 2
 Full load speed : 3520 rpm
 Slip : 2.22 %
 Voltage : 208-230/460 V
 Rated current : 52.4-47.4/23.7 A
 Locked rotor current : 284/142 A
 Locked rotor current (I_L/I_n) : 6.0
 No-load current : 18.2/9.12 A
 Full load torque : 29.4 lb.ft
 Locked rotor torque : 180 %
 Breakdown torque : 240 %
 Design : B
 Insulation class : F
 Temperature rise : 80 K
 Locked rotor time : 9 s (hot)
 Service factor : 1.15
 Duty cycle : S1
 Ambient temperature : -20°C - +40°C
 Altitude : 1000 m
 Degree of Protection : ODP
 Approximate weight : 151 lb
 Moment of inertia : 0.69742 sq.ft.lb
 Noise level : 70 dB(A)

	D.E.	N.D.E.
Bearings	6309 Z-C3	6208 Z-C3
Regreasing interval	20000 h	20000 h
Grease amount	13 g	8 g

Load	Power factor	Efficiency (%)
100%	0.88	90.2
75%	0.84	89.5
50%	0.75	88.5

Notes:
 Downloaded from <http://dealerselectric.com>
 Generated for Model #02036OP3EFP254TC-S

Performed by

Checked



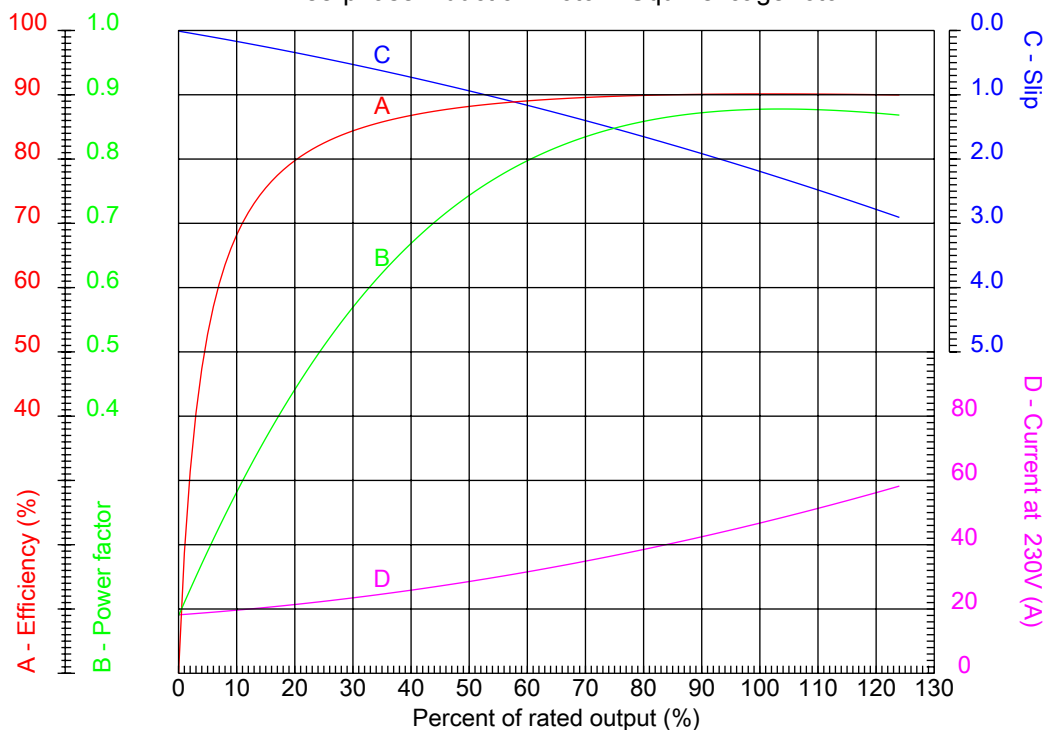
Dealers Industrial Equipment

No.:

Date: 23-SEP-2016

PERFORMANCE CURVES RELATED TO RATED OUTPUT

Three-phase induction motor - Squirrel cage rotor



Customer :
Product line : Fire Pump: Three Phase - W01 (Rolled Steel) - ODP - High Efficiency

Frame	: 254/6T	Locked rotor current (I _l /I _n)	: 6.0
Output	: 20 HP	Duty cycle	: S1
Frequency	: 60 Hz	Service factor	: 1.15
Full load speed	: 3520 rpm	Design	: B
Voltage	: 208-230/460 V	Locked rotor torque	: 180 %
Rated current	: 52.4-47.4/23.7 A	Breakdown torque	: 240 %
Insulation class	: F		

Notes:
Downloaded from <http://dealerselectric.com>
Generated for Model #02036OP3EFP254TC-S

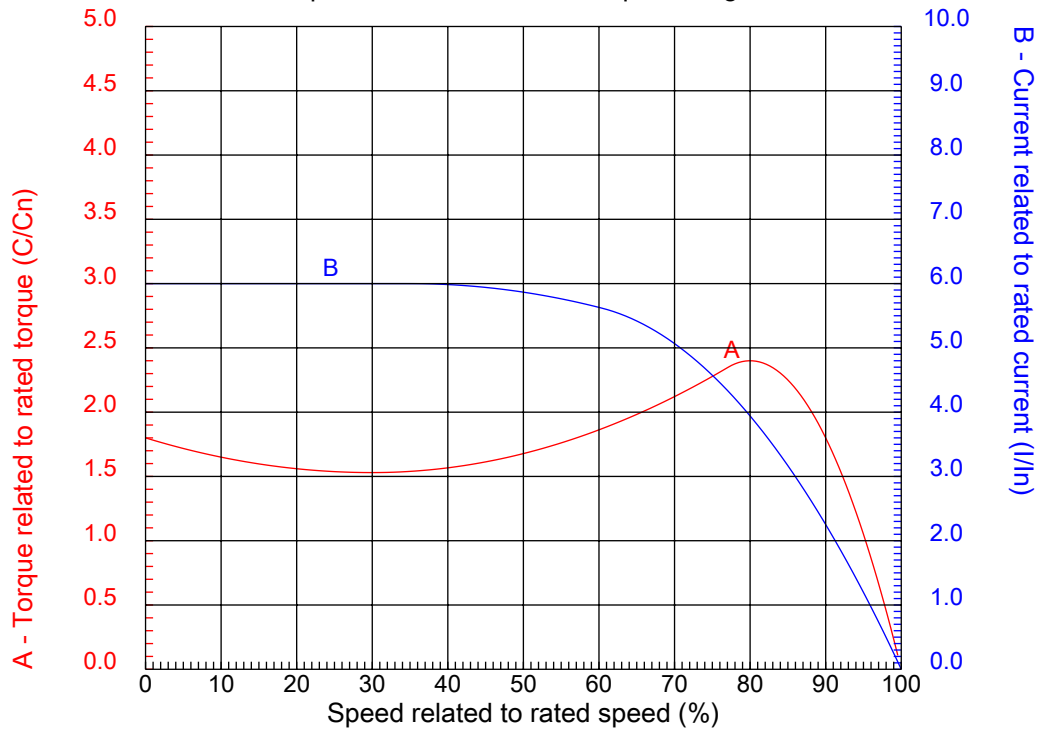
Performed by

Checked



CHARACTERISTIC CURVES RELATED TO SPEED

Three-phase induction motor - Squirrel cage rotor



Customer :
Product line : Fire Pump: Three Phase - W01 (Rolled Steel) - ODP - High Efficiency

Frame	: 254/6T	Locked rotor current (I _l /I _n)	: 6.0
Output	: 20 HP	Duty cycle	: S1
Frequency	: 60 Hz	Service factor	: 1.15
Full load speed	: 3520 rpm	Design	: B
Voltage	: 208-230/460 V	Locked rotor torque	: 180 %
Rated current	: 52.4-47.4/23.7 A	Breakdown torque	: 240 %
Insulation class	: F		

Notes:
Downloaded from <http://dealerselectric.com>
Generated for Model #02036OP3EFP254TC-S

Performed by

Checked

1 2 3 4 5 6 7 8

A

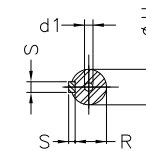
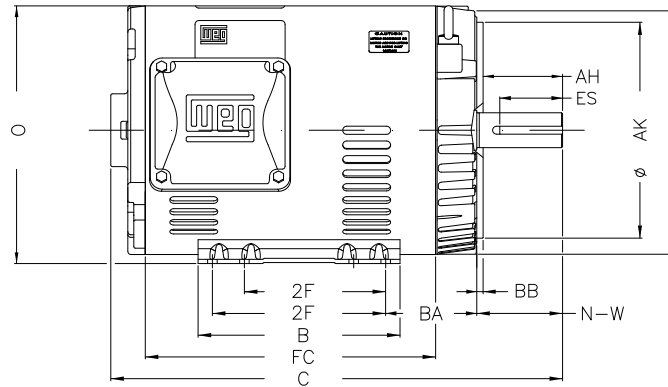
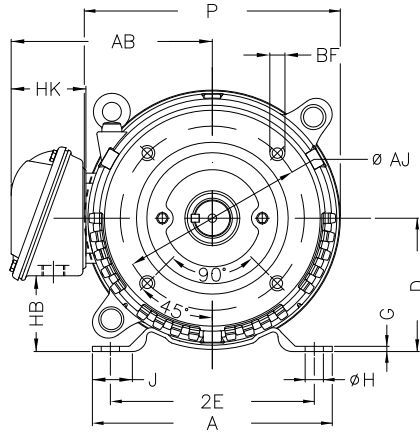
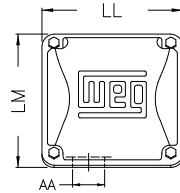
B

C

D

E

F



Notes: Downloaded from <http://dealerselectric.com>
Generated for Model #02036OP3EFP254TC-S

Performed by:

Checked:

Customer:

Fire Pump: Three Phase - W01 (Rolled Steel) - ODP - High Efficiency

Three-phase induction motor
Frame 254/6T - ODP

23-SEP-2016



P 11.558	AB 9.448	J 1.693	2E 10.000	A 11.417
H 0.530	G 0.187	HB 3.631	HK 3.645	T 0.019
O 12.010	FC 12.992	2F 8.252/10.000	B 11.417	C 20.472
BA 4.750	N-W 3.380	ES 2.756	d1 A 4	S 0.375
U 1.625	AA 1.732"	depth 0.375	R 1.416	LL 6.299
LM 6.017	D 6.250	CH 1.929	Flange FC-184	AJ 7.250
AK 8.500	BD 11.084	BF UNC 1/2"x13	BB 0.250	AH 3.750