



Dealers Industrial Equipment

No.:

Date: 23-SEP-2016

Customer :

TECHNICAL PROPOSAL

Three-phase induction motor - Squirrel cage rotor

Product line : W01 (Rolled Steel) General Purpose TEFC

Catalog Number : 02036ET3H256T-SG

List Price : \$2,356

Notes:

Downloaded from <http://dealerselectric.com>

Generated for Model #02036ET3H256T-SG

Performed by:

Checked:



Dealers Industrial Equipment

No.:

Date: 23-SEP-2016

DATA SHEET Three-phase induction motor - Squirrel cage rotor

Customer :
Product line : W01 (Rolled Steel) General Purpose TEFC

Frame : 254/6T
Output : 20 HP
Frequency : 60 Hz
Poles : 2
Full load speed : 3515 rpm
Slip : 2.36 %
Voltage : 575 V
Rated current : 18.2 A
Locked rotor current : 120 A
Locked rotor current (I_L/I_n) : 6.6
No-load current : 5.50 A
Full load torque : 29.5 lb.ft
Locked rotor torque : 200 %
Breakdown torque : 290 %
Design : B
Insulation class : F
Temperature rise : 80 K
Locked rotor time : 12 s (hot)
Service factor : 1.15
Duty cycle : S1
Ambient temperature : -20°C - +40°C
Altitude : 1000 m
Degree of Protection : IP55
Approximate weight : 211 lb
Moment of inertia : 1.2207 sq.ft.lb
Noise level : 75 dB(A)

	D.E.	N.D.E.
Bearings	6309 Z-C3	6208 Z-C3
Regreasing interval	15797 h	20000 h
Grease amount	13 g	8 g

Load	Power factor	Efficiency (%)
100%	0.91	91.0
75%	0.88	91.0
50%	0.81	90.0

Notes:
Downloaded from <http://dealerselectric.com>
Generated for Model #02036ET3H256T-SG

Performed by

Checked



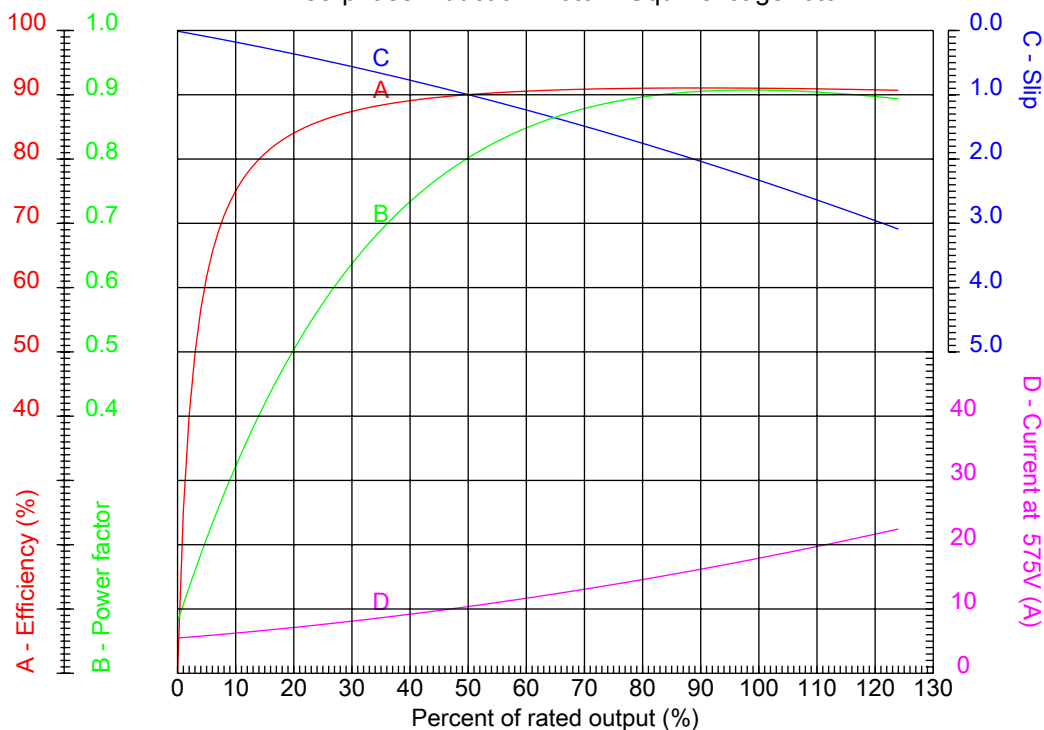
Dealers Industrial Equipment

No.:

Date: 23-SEP-2016

PERFORMANCE CURVES RELATED TO RATED OUTPUT

Three-phase induction motor - Squirrel cage rotor



Customer :
Product line : W01 (Rolled Steel) General Purpose TEFC

Frame : 254/6T	Locked rotor current (I _l /I _n) : 6.6
Output : 20 HP	Duty cycle : S1
Frequency : 60 Hz	Service factor : 1.15
Full load speed : 3515 rpm	Design : B
Voltage : 575 V	Locked rotor torque : 200 %
Rated current : 18.2 A	Breakdown torque : 290 %
Insulation class : F	

Notes:
Downloaded from <http://dealerselectric.com>
Generated for Model #02036ET3H256T-SG

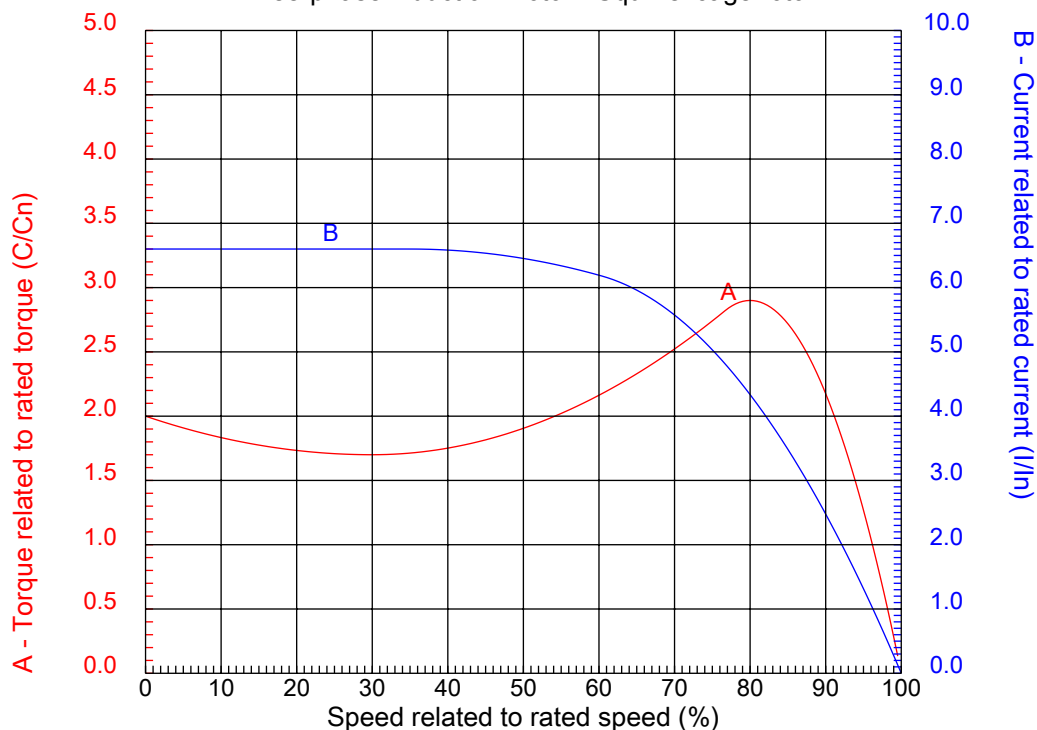
Performed by

Checked



CHARACTERISTIC CURVES RELATED TO SPEED

Three-phase induction motor - Squirrel cage rotor



Customer :
Product line : W01 (Rolled Steel) General Purpose TEFC

Frame	: 254/6T	Locked rotor current (I _l /I _n)	: 6.6
Output	: 20 HP	Duty cycle	: S1
Frequency	: 60 Hz	Service factor	: 1.15
Full load speed	: 3515 rpm	Design	: B
Voltage	: 575 V	Locked rotor torque	: 200 %
Rated current	: 18.2 A	Breakdown torque	: 290 %
Insulation class	: F		

Notes:
Downloaded from <http://dealerselectric.com>
Generated for Model #02036ET3H256T-SG

Performed by

Checked

1 2 3 4 5 6 7 8

A

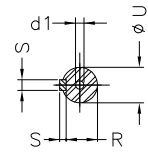
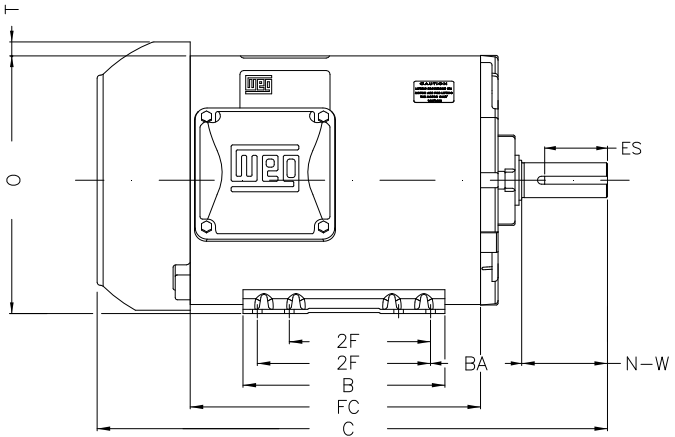
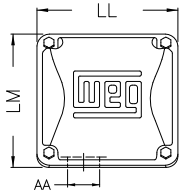
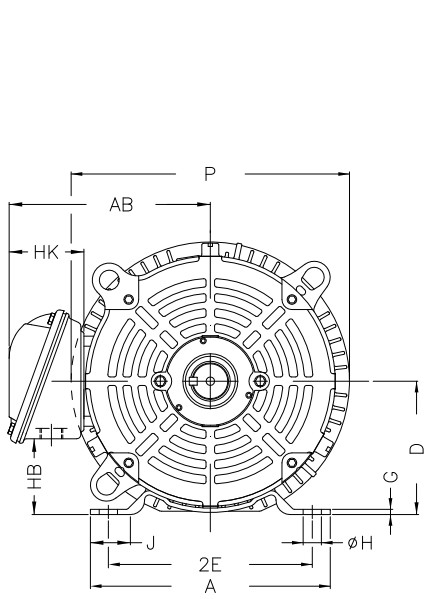
B

C

D

E

F



Notes: Downloaded from <http://dealerselectric.com>
Generated for Model #02036ET3H256T-SG

Performed by:

Checked:

Customer:

W01 (Rolled Steel) General Purpose TEFC

Three-phase induction motor
Frame 254/6T - IP55

23-SEP-2016



P	AB	J	2E	A
13.180	9.448	1.693	10.000	11.417
H	G	HB	HK	T
0.530	0.187	3.631	3.645	0.830
O	FC	2F	B	C
12.010	13.780	8.252/10.000	11.417	23.346
BA	N-W	ES	d1	S
4.250	4.000	2.756	A4	0.375
U	AA	depth	R	LL
1.625	1.732"	0.375	1.416	6.299
LM	BB	D	CH	
6.017	0.830	6.250	1.929	

1 2 3 4 5 6 7 8

A
B
C
D
E
F

RUN



ONLY FOR START



Notes: Downloaded from http://dealerselectric.com Generated for Model #02036ET3H256T-SG		
Performed by:		
Checked:		
Customer:		
W01 (Rolled Steel) General Purpose TEFC		
Three-phase induction motor Frame 254/6T - IP55	23-SEP-2016	