



Dealers Industrial Equipment

No.:

Date: 23-SEP-2016

Customer :

TECHNICAL PROPOSAL

Three-phase induction motor - Squirrel cage rotor

Product line : Brake Motors : Three-Phase - High Efficiency
Catalog Number : 02036EP3EBM256T
List Price : \$>(discontinued)

Notes:
Downloaded from <http://dealerselectric.com>
Generated for Model #02036EP3EBM256T

Performed by:

Checked:



Dealers Industrial Equipment

No.:

Date: 23-SEP-2016

DATA SHEET Three-phase induction motor - Squirrel cage rotor

Customer :
 Product line : Brake Motors : Three-Phase - High Efficiency

Frame : 256T
 Output : 20 HP
 Frequency : 60 Hz
 Poles : 2
 Full load speed : 3515 rpm
 Slip : 2.36 %
 Voltage : 230/460 V
 Rated current : 47.0/23.5 A
 Locked rotor current : 291/146 A
 Locked rotor current (I_L/I_n) : 6.2
 No-load current : 13.0/6.50 A
 Full load torque : 29.5 lb.ft
 Locked rotor torque : 190 %
 Breakdown torque : 250 %
 Design : B
 Insulation class : F
 Temperature rise : 80 K
 Locked rotor time : 15 s (hot)
 Service factor : 1.25
 Duty cycle : S1
 Ambient temperature : -20°C - +40°C
 Altitude : 1000 m
 Degree of Protection : IP55
 Approximate weight : 313 lb
 Moment of inertia : 1.1269 sq.ft.lb
 Noise level : 75 dB(A)

	D.E.	N.D.E.
Bearings	6309 C3	6209 Z-C3
Regreasing interval	15797 h	18447 h
Grease amount	13 g	9 g

Load	Power factor	Efficiency (%)
100%	0.89	90.2
75%	0.87	90.2
50%	0.81	89.5

Notes:
 Downloaded from <http://dealerselectric.com>
 Generated for Model #02036EP3EBM256T

Performed by

Checked



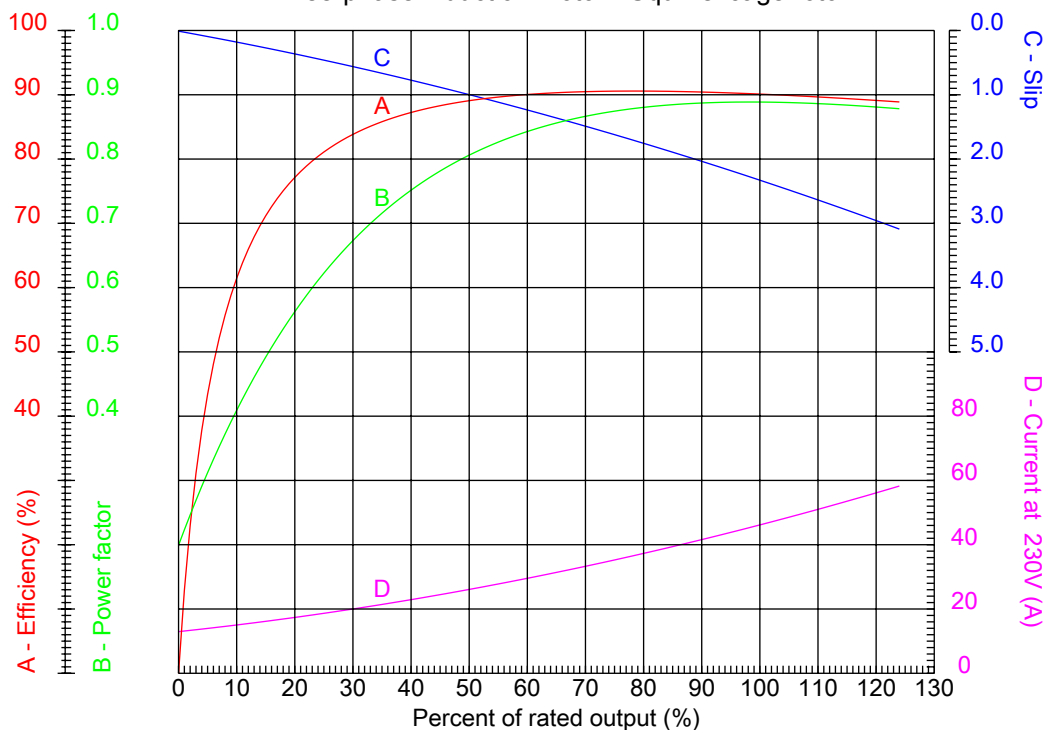
Dealers Industrial Equipment

No.:

Date: 23-SEP-2016

PERFORMANCE CURVES RELATED TO RATED OUTPUT

Three-phase induction motor - Squirrel cage rotor



Customer :
 Product line : Brake Motors : Three-Phase - High Efficiency

Frame	: 256T	Locked rotor current (I _l /I _n)	: 6.2
Output	: 20 HP	Duty cycle	: S1
Frequency	: 60 Hz	Service factor	: 1.25
Full load speed	: 3515 rpm	Design	: B
Voltage	: 230/460 V	Locked rotor torque	: 190 %
Rated current	: 47.0/23.5 A	Breakdown torque	: 250 %
Insulation class	: F		

Notes:
 Downloaded from <http://dealerselectric.com>
 Generated for Model #02036EP3EBM256T

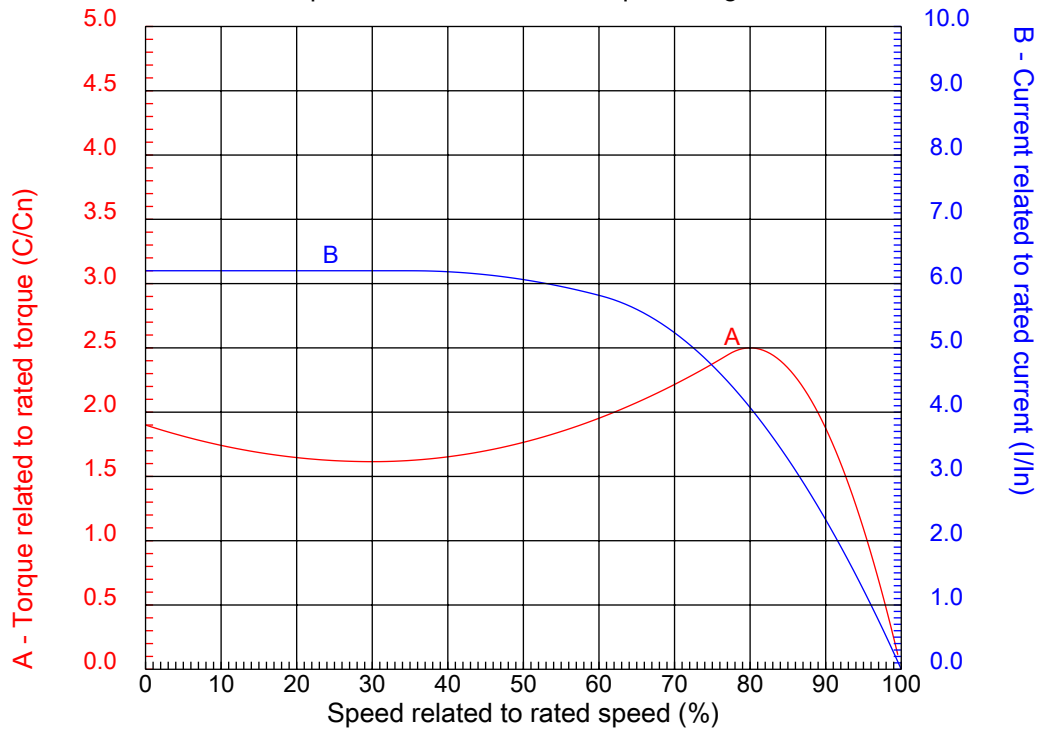
Performed by

Checked



CHARACTERISTIC CURVES RELATED TO SPEED

Three-phase induction motor - Squirrel cage rotor



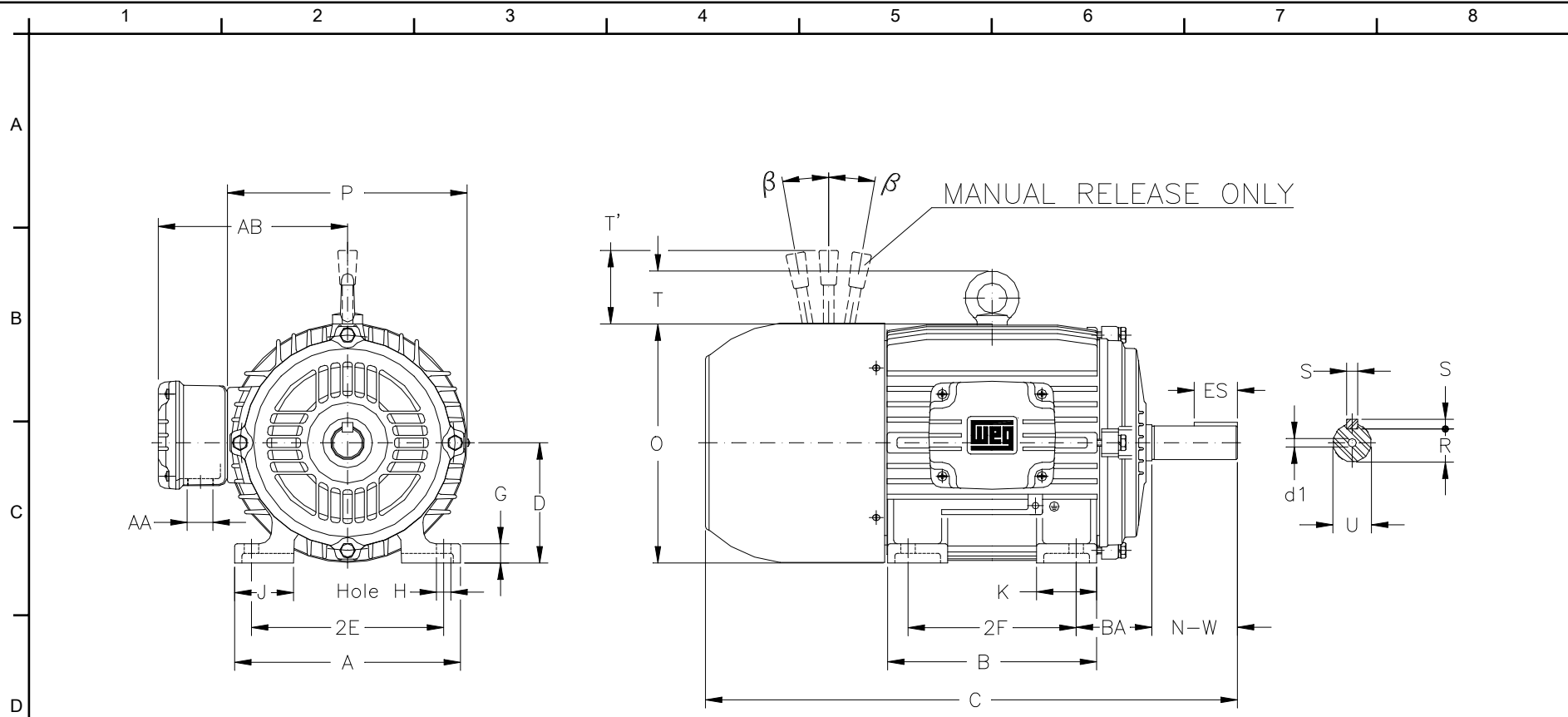
Customer :
Product line : Brake Motors : Three-Phase - High Efficiency

Frame	: 256T	Locked rotor current (I _l /I _n)	: 6.2
Output	: 20 HP	Duty cycle	: S1
Frequency	: 60 Hz	Service factor	: 1.25
Full load speed	: 3515 rpm	Design	: B
Voltage	: 230/460 V	Locked rotor torque	: 190 %
Rated current	: 47.0/23.5 A	Breakdown torque	: 250 %
Insulation class	: F		

Notes:
Downloaded from <http://dealerselectric.com>
Generated for Model #02036EP3EBM256T

Performed by

Checked



Notes: Downloaded from <http://dealerselectric.com>
 Generated for Model #02036EP3EBM256T

Performed by:

Checked:

Customer:

Brake Motors : Three-Phase - High Efficiency

Three-phase induction motor
 Frame 256T - IP55

23-SEP-2016



2E 10.000	A 12.126	2F 10.000	B 11.732	BA 4.250
J 2.520	K 2.559	P 12.283	ES 2.756	depth 0.375
S 0.375	N-W 4.000	U 1.625	R 1.416	D 6.250
G 0.817	O 12.431	T 2.087	H 0.531	C 29.827
AA NPT 1 1/2"	d1 A 4	d2 A 4		

1 2 3 4 5 6 7 8

A
B
C
D
E
F

LOW VOLTAGE

HIGH VOLTAGE



CONNECTIONS FOR STARTING ONLY:

LOW VOLTAGE

HIGH VOLTAGE



Notes: Downloaded from <http://dealerselectric.com>
Generated for Model #02036EP3EBM256T

Performed by:

Checked:

Customer:

Brake Motors : Three-Phase - High Efficiency

Three-phase induction motor
Frame 256T - IP55

23-SEP-2016

