



Dealers Industrial Equipment

No.:

Date: 23-SEP-2016

Customer :

TECHNICAL PROPOSAL

Three-phase induction motor - Squirrel cage rotor

Product line : W22 Super Premium

Catalog Number : 02036EG3E256T-W22

List Price : \$2,620

Notes:

Downloaded from <http://dealerselectric.com>

Generated for Model #02036EG3E256T-W22

Performed by:

Checked:



Dealers Industrial Equipment

No.:

Date: 23-SEP-2016

DATA SHEET Three-phase induction motor - Squirrel cage rotor

Customer :
Product line : W22 Super Premium

Frame : 254/6T
 Output : 20 HP
 Frequency : 60 Hz
 Poles : 2
 Full load speed : 3545 rpm
 Slip : 1.53 %
 Voltage : 208-230/460 V
 Rated current : 50.9-46.0/23.0 A
 Locked rotor current : 350/175 A
 Locked rotor current (I_L/I_n) : 7.6
 No-load current : 16.0/8.00 A
 Full load torque : 29.2 lb.ft
 Locked rotor torque : 260 %
 Breakdown torque : 340 %
 Design : A
 Insulation class : F
 Temperature rise : 80 K
 Locked rotor time : 23 s (hot)
 Service factor : 1.25
 Duty cycle : S1
 Ambient temperature : -20°C - +40°C
 Altitude : 1000 m
 Degree of Protection : IP55
 Approximate weight : 311 lb
 Moment of inertia : 1.9077 sq.ft.lb
 Noise level : 72 dB(A)

	D.E.	N.D.E.
Bearings	6309 C3	6209 C3
Regreasing interval	19000 h	20000 h
Grease amount	13 g	9 g

Load	Power factor	Efficiency (%)
100%	0.88	93.0
75%	0.84	92.4
50%	0.75	91.0

Notes:
 Downloaded from <http://dealerselectric.com>
 Generated for Model #02036EG3E256T-W22

Performed by

Checked



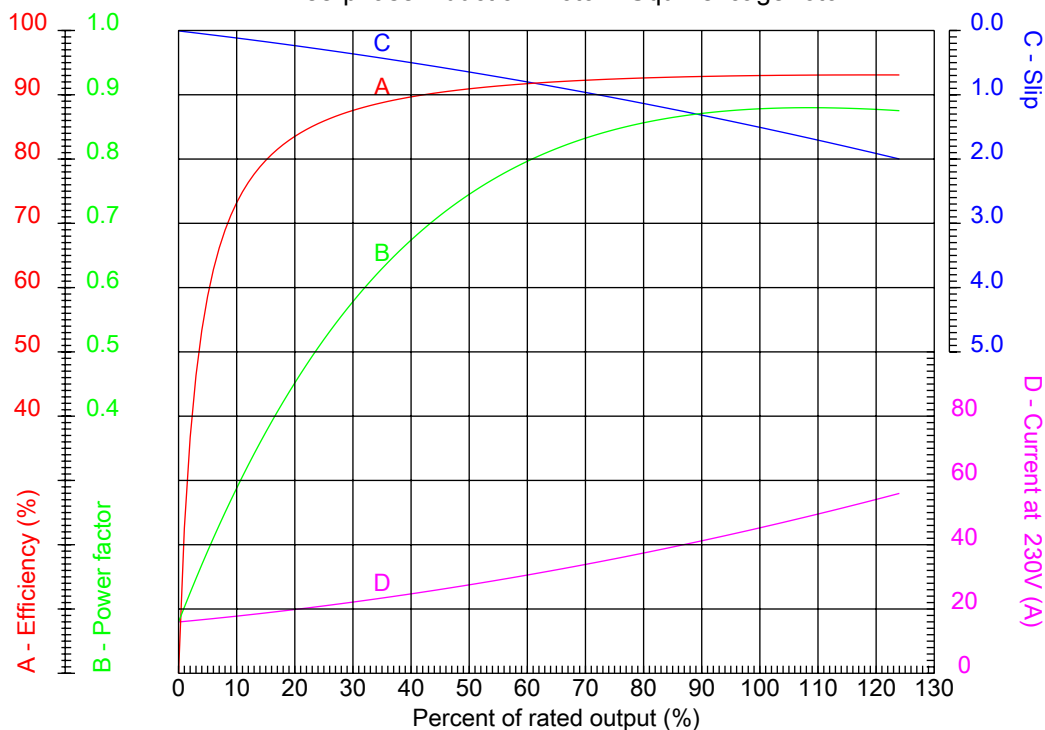
Dealers Industrial Equipment

No.:

Date: 23-SEP-2016

PERFORMANCE CURVES RELATED TO RATED OUTPUT

Three-phase induction motor - Squirrel cage rotor



Customer :
Product line : W22 Super Premium

Frame : 254/6T	Locked rotor current (I _l /I _n) : 7.6
Output : 20 HP	Duty cycle : S1
Frequency : 60 Hz	Service factor : 1.25
Full load speed : 3545 rpm	Design : A
Voltage : 208-230/460 V	Locked rotor torque : 260 %
Rated current : 50.9-46.0/23.0 A	Breakdown torque : 340 %
Insulation class : F	

Notes:
Downloaded from <http://dealerselectric.com>
Generated for Model #02036EG3E256T-W22

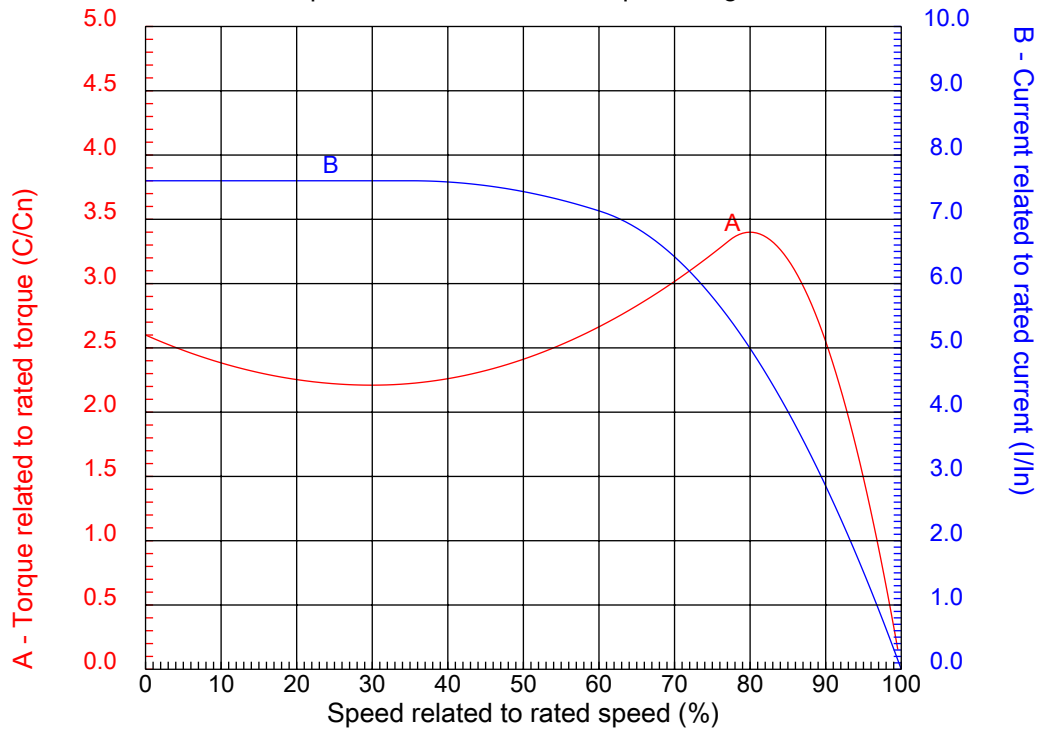
Performed by

Checked



CHARACTERISTIC CURVES RELATED TO SPEED

Three-phase induction motor - Squirrel cage rotor



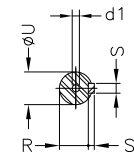
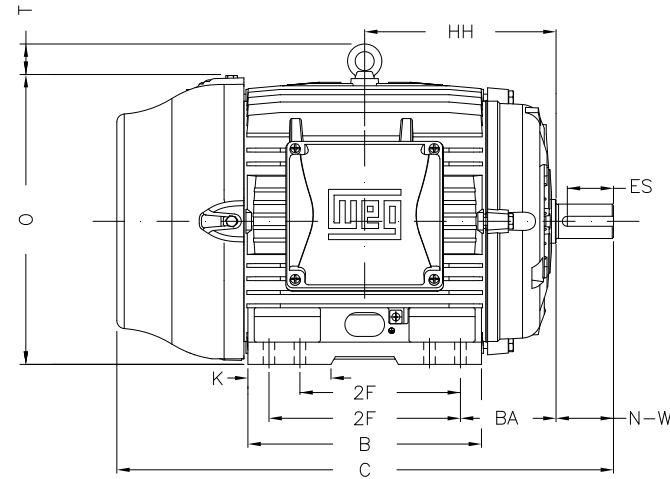
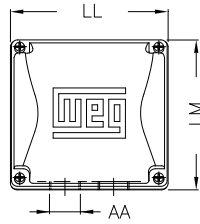
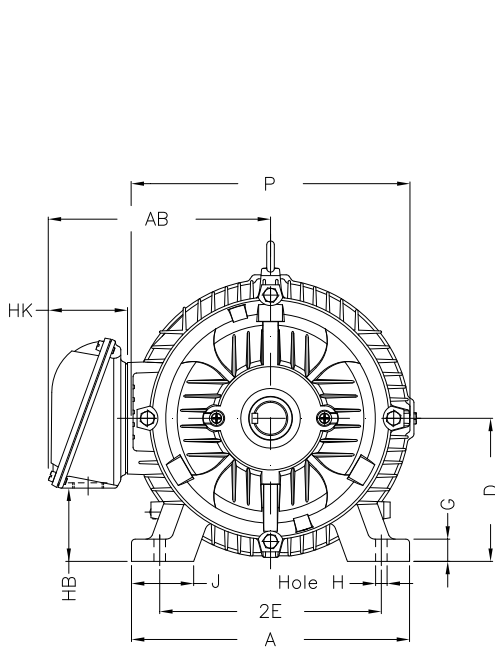
Customer :
Product line : W22 Super Premium

Frame	: 254/6T	Locked rotor current (I _l /I _n)	: 7.6
Output	: 20 HP	Duty cycle	: S1
Frequency	: 60 Hz	Service factor	: 1.25
Full load speed	: 3545 rpm	Design	: A
Voltage	: 208-230/460 V	Locked rotor torque	: 260 %
Rated current	: 50.9-46.0/23.0 A	Breakdown torque	: 340 %
Insulation class	: F		

Notes:
Downloaded from <http://dealerselectric.com>
Generated for Model #02036EG3E256T-W22

Performed by

Checked



Notes: Downloaded from <http://dealerselectric.com>
Generated for Model #02036EG3E256T-W22

Performed by:

Checked:

Customer:

W22 Super Premium

Three-phase induction motor
Frame 254/6T - IP55

23-SEP-2016



	2E 10.000	J 2.539	A 12.126	P 12.953	AB 10.483
	2F 8.252/10.000	K 2.559	B 11.732	BA 4.250	FBA 6.852
	U 1.625	N-W 4.000	ES 2.756	S 0.375	R 1.416
F	depth 0.375	D 6.250	G 0.827	HB 3.061	O 12.598
	T 2.087	HF 6.565	HH 9.250	HK 3.976	H 0.531
	C 24.945	LL 7.815	LM 7.480	AA NPT 1 1/2"	d1 A 4

1 2 3 4 5 6 7 8

A
B
C
D
E
F

LOW VOLTAGE

HIGH VOLTAGE



CONNECTIONS FOR STARTING ONLY:

LOW VOLTAGE

HIGH VOLTAGE



Notes: Downloaded from <http://dealerselectric.com>
Generated for Model #02036EG3E256T-W22

Performed by:

Checked:

Customer:

W22 Super Premium

Three-phase induction motor
Frame 254/6T - IP55

23-SEP-2016

