



Dealers Industrial Equipment

No.:

Date: 23-SEP-2016

Customer :

TECHNICAL PROPOSAL

Three-phase induction motor - Squirrel cage rotor

Product line : Close Coupled Pump : Three-Phase - "JM" Type - ODP - NEMA Premium

Catalog Number : 02018OT3E256JM

List Price : \$2,413

Notes:

Downloaded from <http://dealerselectric.com>

Generated for Model #02018OT3E256JM

Performed by:

Checked:



Dealers Industrial Equipment

No.:

Date: 23-SEP-2016

DATA SHEET Three-phase induction motor - Squirrel cage rotor

Customer :
 Product line : Close Coupled Pump : Three-Phase - "JM" Type - ODP - NEMA Premium

Frame : 256JM
 Output : 20 HP
 Frequency : 60 Hz
 Poles : 4
 Full load speed : 1770 rpm
 Slip : 1.67 %
 Voltage : 208-230/460 V
 Rated current : 55.3-49.4/24.7 A
 Locked rotor current : 311/156 A
 Locked rotor current (I_L/I_n) : 6.3
 No-load current : 24.0/12.0 A
 Full load torque : 58.5 lb.ft
 Locked rotor torque : 260 %
 Breakdown torque : 280 %
 Design : B
 Insulation class : F
 Temperature rise : 80 K
 Locked rotor time : 12 s (hot)
 Service factor : 1.15
 Duty cycle : S1
 Ambient temperature : -20°C - +40°C
 Altitude : 1000 m
 Degree of Protection : IP23
 Approximate weight : 295 lb
 Moment of inertia : 2.6198 sq.ft.lb
 Noise level : 60 dB(A)

| | D.E. | N.D.E. |
|---------------------|-----------|-----------|
| Bearings | 6309 Z-C3 | 6209 Z-C3 |
| Regreasing interval | 20000 h | 20000 h |
| Grease amount | 13 g | 9 g |

| Load | Power factor | Efficiency (%) |
|------|--------------|----------------|
| 100% | 0.82 | 93.0 |
| 75% | 0.72 | 93.0 |
| 50% | 0.63 | 91.7 |

Notes:
 Downloaded from <http://dealerselectric.com>
 Generated for Model #02018OT3E256JM

Performed by

Checked



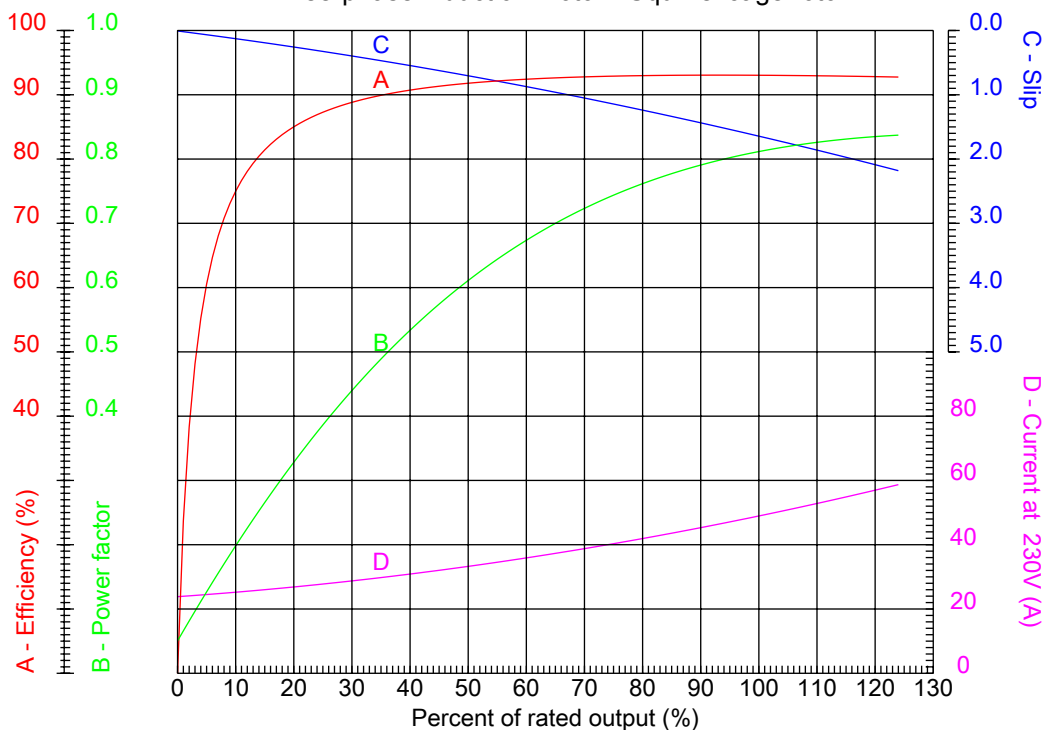
Dealers Industrial Equipment

No.:

Date: 23-SEP-2016

PERFORMANCE CURVES RELATED TO RATED OUTPUT

Three-phase induction motor - Squirrel cage rotor



Customer :
 Product line : Close Coupled Pump : Three-Phase - "JM" Type - ODP - NEMA Premium

| | | | |
|------------------|--------------------|--|---------|
| Frame | : 256JM | Locked rotor current (I _l /I _n) | : 6.3 |
| Output | : 20 HP | Duty cycle | : S1 |
| Frequency | : 60 Hz | Service factor | : 1.15 |
| Full load speed | : 1770 rpm | Design | : B |
| Voltage | : 208-230/460 V | Locked rotor torque | : 260 % |
| Rated current | : 55.3-49.4/24.7 A | Breakdown torque | : 280 % |
| Insulation class | : F | | |

Notes:
 Downloaded from <http://dealerselectric.com>
 Generated for Model #02018OT3E256JM

Performed by

Checked



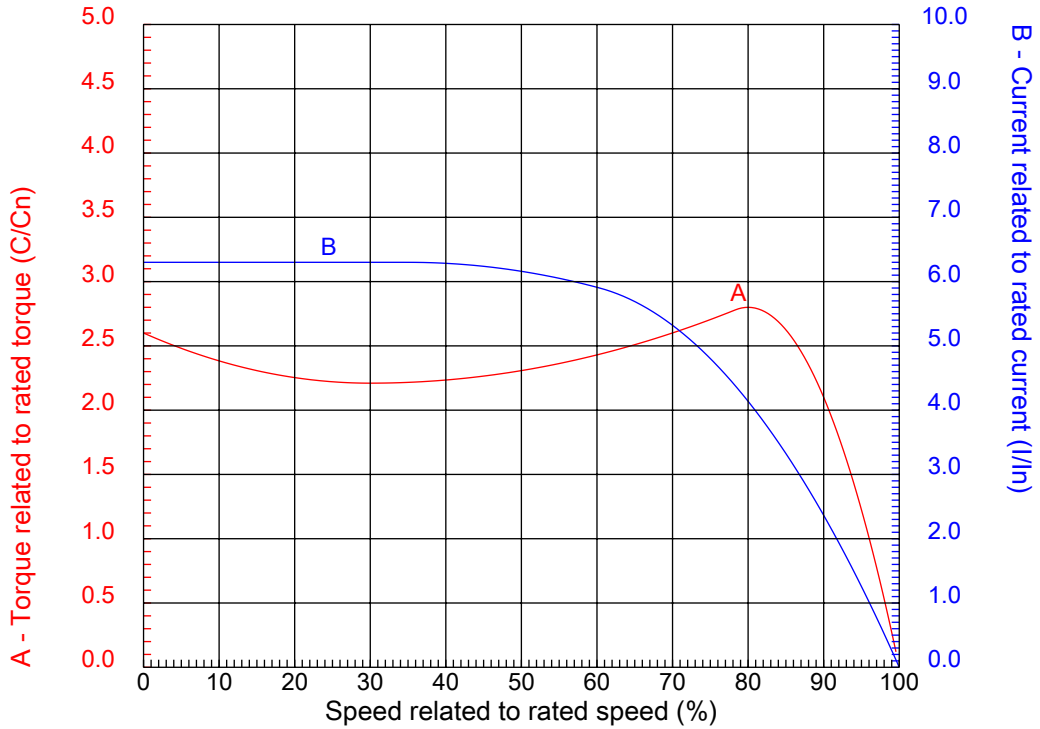
Dealers Industrial Equipment

No.:

Date: 23-SEP-2016

CHARACTERISTIC CURVES RELATED TO SPEED

Three-phase induction motor - Squirrel cage rotor



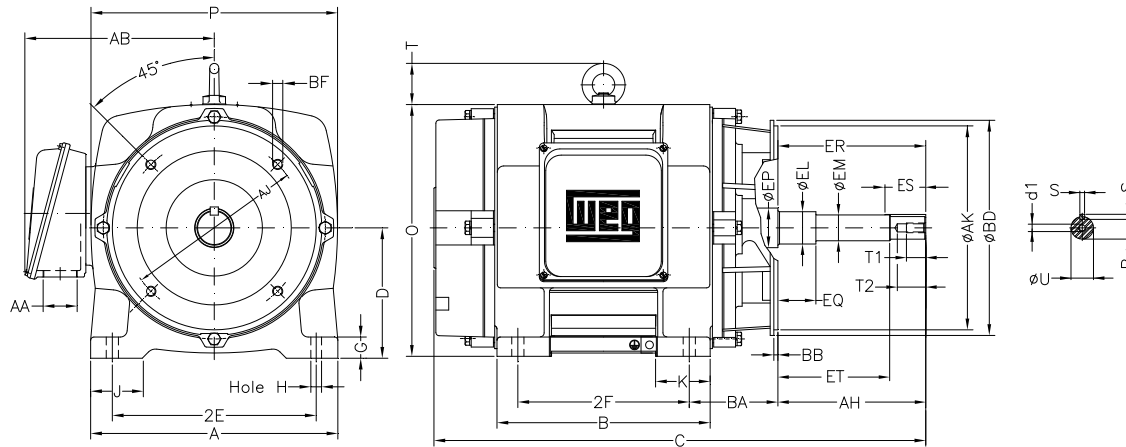
Customer :
Product line : Close Coupled Pump : Three-Phase - "JM" Type - ODP - NEMA Premium

| | | | |
|------------------|--------------------|--|---------|
| Frame | : 256JM | Locked rotor current (I/I _n) | : 6.3 |
| Output | : 20 HP | Duty cycle | : S1 |
| Frequency | : 60 Hz | Service factor | : 1.15 |
| Full load speed | : 1770 rpm | Design | : B |
| Voltage | : 208-230/460 V | Locked rotor torque | : 260 % |
| Rated current | : 55.3-49.4/24.7 A | Breakdown torque | : 280 % |
| Insulation class | : F | | |

Notes:
Downloaded from <http://dealerselectric.com>
Generated for Model #02018OT3E256JM

Performed by

Checked



Notes: Downloaded from <http://dealerselectric.com>
Generated for Model #02018OT3E256JM

| | | | | | |
|---|------------------|-------------|--------------|-------------|--------------------|
| E | 2E 10.000 | A 12.130 | 2F 10.000 | B 11.732 | J 2.520 |
| | BA 4.500 | D 6.220 | K 2.560 | G 0.787 | O 12.204 |
| | P 11.812 | T 2.165 | AB 10.079 | H 0.531 | AA NPT 1 1/2" |
| | ER 5.250 | EQ 0.630 | ET 3.006 | U 1.249 | EM 1.375 |
| | EL 1.750 | S 0.250 | EP 1.750 | R 1.110 | d1 EUNC 1/2"-13 |
| F | ES 2.559 | t1 0.984 | t2 1.496 | C 23.902 | CH 1.929 |
| | Flange FC-184 | AJ 7.250 | AK 8.500 | BD 8.858 | BF UNC 1/2"x13 |
| | BB 0.250 | AH 5.250 | | | |

Performed by:

Checked:

Customer:

Close Coupled Pump : Three-Phase - "JM" Type - ODP - NEMA Premium

Three-phase induction motor
Frame 256JM - IP23

23-SEP-2016



1 2 3 4 5 6 7 8

A
B
C
D
E
F

LOW VOLTAGE

HIGH VOLTAGE



CONNECTIONS FOR STARTING ONLY:

LOW VOLTAGE

HIGH VOLTAGE



Notes: Downloaded from <http://dealerselectric.com>
Generated for Model #02018OT3E256JM

Performed by:

Checked:

Customer:

Close Coupled Pump : Three-Phase - "JM" Type - ODP - NEMA Premium

Three-phase induction motor
Frame 256JM - IP23

23-SEP-2016

