



Dealers Industrial Equipment

No.:

Date: 23-SEP-2016

Customer :

TECHNICAL PROPOSAL

Three-phase induction motor - Squirrel cage rotor

Product line : W22 NEMA Premium - Ball Bearings

Catalog Number : 02018ET3P256T-W22

List Price : \$2,201

Notes:

Downloaded from <http://dealerselectric.com>

Generated for Model #02018ET3P256T-W22

Performed by:

Checked:



Dealers Industrial Equipment

No.:

Date: 23-SEP-2016

DATA SHEET Three-phase induction motor - Squirrel cage rotor

Customer :
 Product line : W22 NEMA Premium - Ball Bearings

Frame : 254/6T
 Output : 20 HP
 Frequency : 60 Hz
 Poles : 4
 Full load speed : 1765 rpm
 Slip : 1.94 %
 Voltage : 200 V
 Rated current : 55.4 A
 Locked rotor current : 382 A
 Locked rotor current (I_L/I_n) : 6.9
 No-load current : 23.0 A
 Full load torque : 58.7 lb.ft
 Locked rotor torque : 230 %
 Breakdown torque : 270 %
 Design : B
 Insulation class : F
 Temperature rise : 80 K
 Locked rotor time : 15 s (hot)
 Service factor : 1.25
 Duty cycle : S1
 Ambient temperature : -20°C - +40°C
 Altitude : 1000 m
 Degree of Protection : IP55
 Approximate weight : 291 lb
 Moment of inertia : 3.0963 sq.ft.lb
 Noise level : 64 dB(A)

| | D.E. | N.D.E. |
|---------------------|---------|---------|
| Bearings | 6309 C3 | 6209 C3 |
| Regreasing interval | 20000 h | 20000 h |
| Grease amount | 13 g | 9 g |

| Load | Power factor | Efficiency (%) |
|------|--------------|----------------|
| 100% | 0.84 | 93.0 |
| 75% | 0.79 | 92.4 |
| 50% | 0.68 | 91.7 |

Notes:
 Downloaded from <http://dealerselectric.com>
 Generated for Model #02018ET3P256T-W22

Performed by

Checked



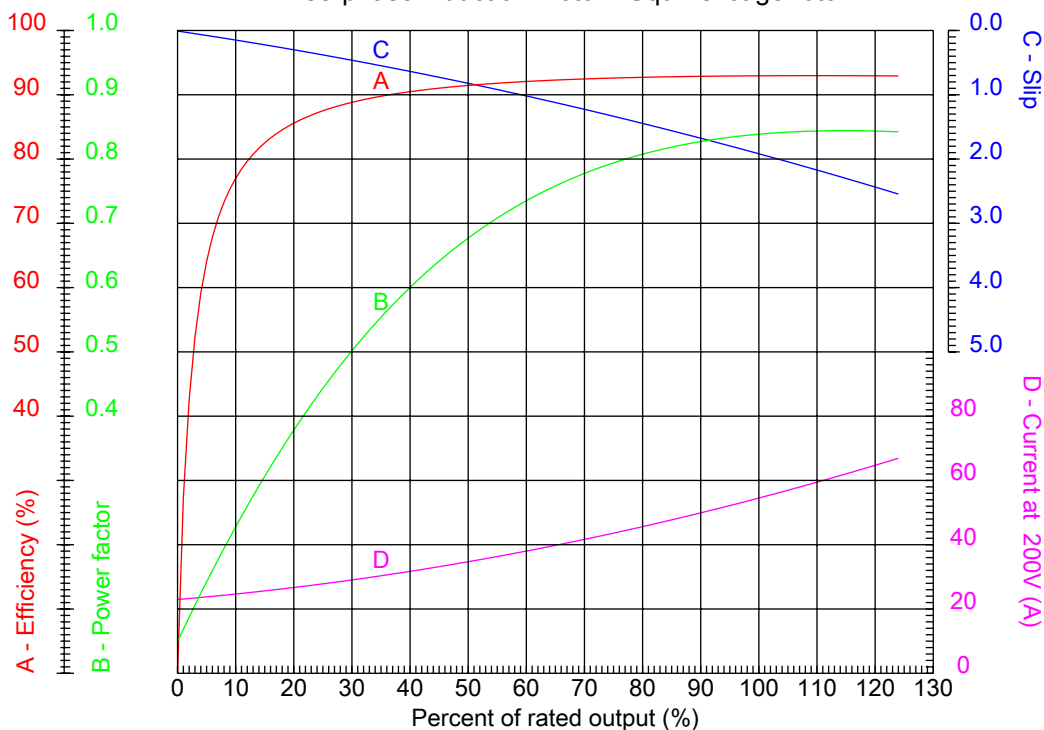
Dealers Industrial Equipment

No.:

Date: 23-SEP-2016

PERFORMANCE CURVES RELATED TO RATED OUTPUT

Three-phase induction motor - Squirrel cage rotor



Customer :
 Product line : W22 NEMA Premium - Ball Bearings

| | |
|----------------------------|--|
| Frame : 254/6T | Locked rotor current (I _l /I _n) : 6.9 |
| Output : 20 HP | Duty cycle : S1 |
| Frequency : 60 Hz | Service factor : 1.25 |
| Full load speed : 1765 rpm | Design : B |
| Voltage : 200 V | Locked rotor torque : 230 % |
| Rated current : 55.4 A | Breakdown torque : 270 % |
| Insulation class : F | |

Notes:
 Downloaded from <http://dealerselectric.com>
 Generated for Model #02018ET3P256T-W22

Performed by

Checked



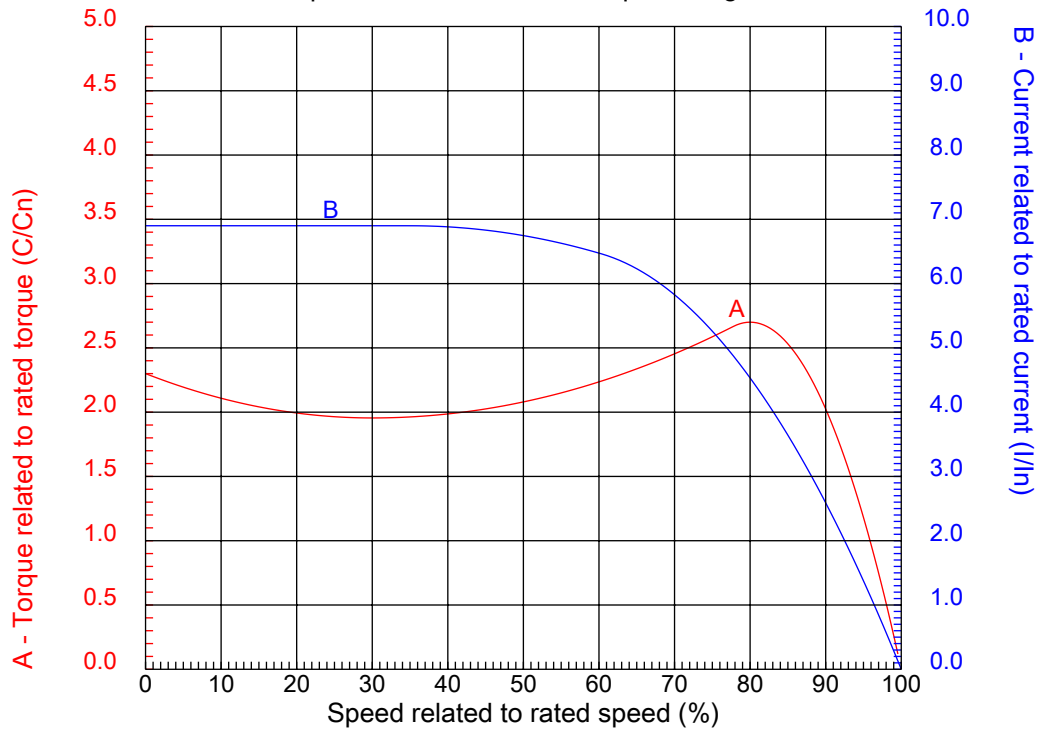
Dealers Industrial Equipment

No.:

Date: 23-SEP-2016

CHARACTERISTIC CURVES RELATED TO SPEED

Three-phase induction motor - Squirrel cage rotor



Customer :
Product line : W22 NEMA Premium - Ball Bearings

| | | | |
|------------------|------------|--|---------|
| Frame | : 254/6T | Locked rotor current (I _l /I _n) | : 6.9 |
| Output | : 20 HP | Duty cycle | : S1 |
| Frequency | : 60 Hz | Service factor | : 1.25 |
| Full load speed | : 1765 rpm | Design | : B |
| Voltage | : 200 V | Locked rotor torque | : 230 % |
| Rated current | : 55.4 A | Breakdown torque | : 270 % |
| Insulation class | : F | | |

Notes:
Downloaded from <http://dealerselectric.com>
Generated for Model #02018ET3P256T-W22

Performed by

Checked

1 2 3 4 5 6 7 8

A

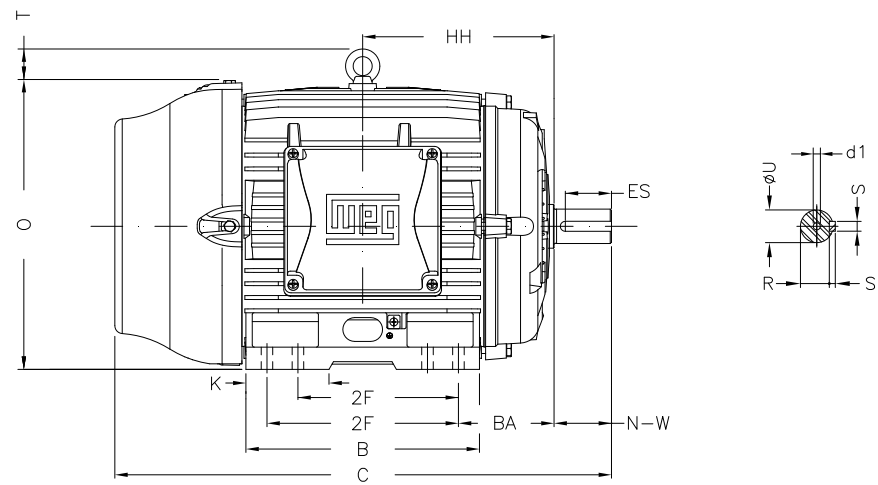
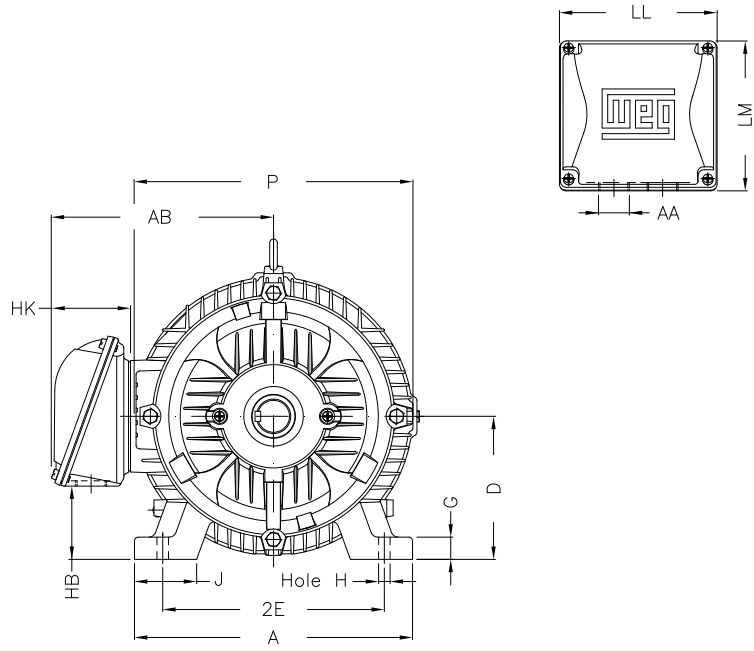
B

C

D

E

F



Notes: Downloaded from <http://dealerselectric.com>
Generated for Model #02018ET3P256T-W22

Performed by:

Checked:

Customer:

W22 NEMA Premium - Ball Bearings

Three-phase induction motor
Frame 254/6T - IP55

23-SEP-2016



| | | | | |
|--------------------|--------------|-------------|------------------|--------------|
| 2E 10.000 | J 2.539 | A 12.126 | P 12.953 | AB 10.483 |
| 2F 8.252/10.000 | K 2.559 | B 11.732 | BA 4.250 | FBA 6.852 |
| U 1.625 | N-W 4.000 | ES 2.756 | S 0.375 | R 1.416 |
| depth 0.375 | D 6.250 | G 0.827 | HB 3.061 | O 12.598 |
| T 2.087 | HF 6.565 | HH 9.250 | HK 3.976 | H 0.531 |
| C 24.945 | LL 7.815 | LM 7.480 | AA NPT 1 1/2" | d1 A 4 |

1 2 3 4 5 6 7 8

A
B
C
D
E
F

RUN



ONLY FOR START



| | | |
|--|-------------|--|
| Notes: Downloaded from http://dealerselectric.com Generated for Model #02018ET3P256T-W22 | | |
| Performed by: | | |
| Checked: | | |
| Customer: | | |
| W22 NEMA Premium - Ball Bearings | | |
| Three-phase induction motor Frame 254/6T - IP55 | 23-SEP-2016 | |