



Dealers Industrial Equipment

No.:

Date: 23-SEP-2016

Customer :

TECHNICAL PROPOSAL

Three-phase induction motor - Squirrel cage rotor

Product line : W22 NEMA Premium - Ball Bearings

Catalog Number : 02018ET3ER256TC-W22

List Price : \$2,338

Notes:

Downloaded from <http://dealerselectric.com>

Generated for Model #02018ET3ER256TC-W22

Performed by:

Checked:



Dealers Industrial Equipment

No.:

Date: 23-SEP-2016

DATA SHEET Three-phase induction motor - Squirrel cage rotor

Customer :
 Product line : W22 NEMA Premium - Ball Bearings

Frame : 256T
 Output : 20 HP
 Frequency : 60 Hz
 Poles : 4
 Full load speed : 1765 rpm
 Slip : 1.94 %
 Voltage : 208-230/460 V
 Rated current : 53.3-48.2/24.1 A
 Locked rotor current : 333/166 A
 Locked rotor current (I_L/I_n) : 6.9
 No-load current : 20.0/10.0 A
 Full load torque : 58.7 lb.ft
 Locked rotor torque : 230 %
 Breakdown torque : 270 %
 Design : B
 Insulation class : F
 Temperature rise : 80 K
 Locked rotor time : 15 s (hot)
 Service factor : 1.25
 Duty cycle : S1
 Ambient temperature : -20°C - +40°C
 Altitude : 1000 m
 Degree of Protection : IP55
 Approximate weight : 291 lb
 Moment of inertia : 3.0963 sq.ft.lb
 Noise level : 64 dB(A)

| | D.E. | N.D.E. |
|---------------------|---------|---------|
| Bearings | 6309 C3 | 6209 C3 |
| Regreasing interval | 20000 h | 20000 h |
| Grease amount | 13 g | 9 g |

| Load | Power factor | Efficiency (%) |
|------|--------------|----------------|
| 100% | 0.84 | 93.0 |
| 75% | 0.79 | 92.4 |
| 50% | 0.68 | 91.7 |

Notes:
 Downloaded from <http://dealerselectric.com>
 Generated for Model #02018ET3ER256TC-W22

Performed by

Checked



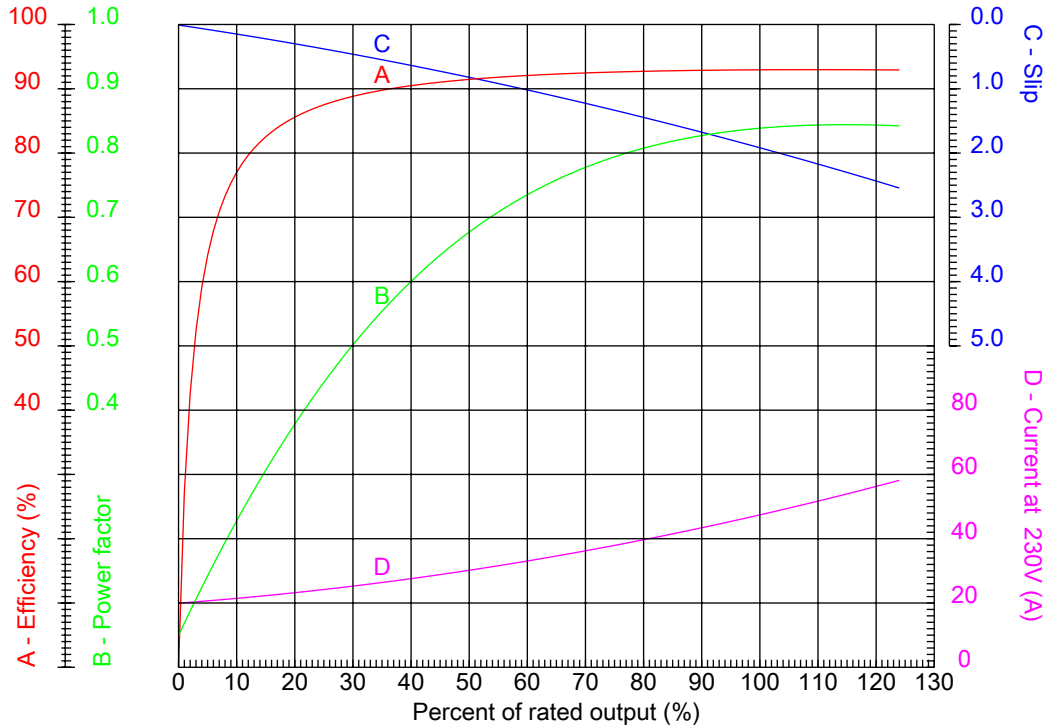
Dealers Industrial Equipment

No.:

Date: 23-SEP-2016

PERFORMANCE CURVES RELATED TO RATED OUTPUT

Three-phase induction motor - Squirrel cage rotor



Customer :
 Product line : W22 NEMA Premium - Ball Bearings

| | |
|----------------------------------|--|
| Frame : 256T | Locked rotor current (I _L /I _n) : 6.9 |
| Output : 20 HP | Duty cycle : S1 |
| Frequency : 60 Hz | Service factor : 1.25 |
| Full load speed : 1765 rpm | Design : B |
| Voltage : 208-230/460 V | Locked rotor torque : 230 % |
| Rated current : 53.3-48.2/24.1 A | Breakdown torque : 270 % |
| Insulation class : F | |

Notes:
 Downloaded from <http://dealerselectric.com>
 Generated for Model #02018ET3ER256TC-W22

Performed by

Checked



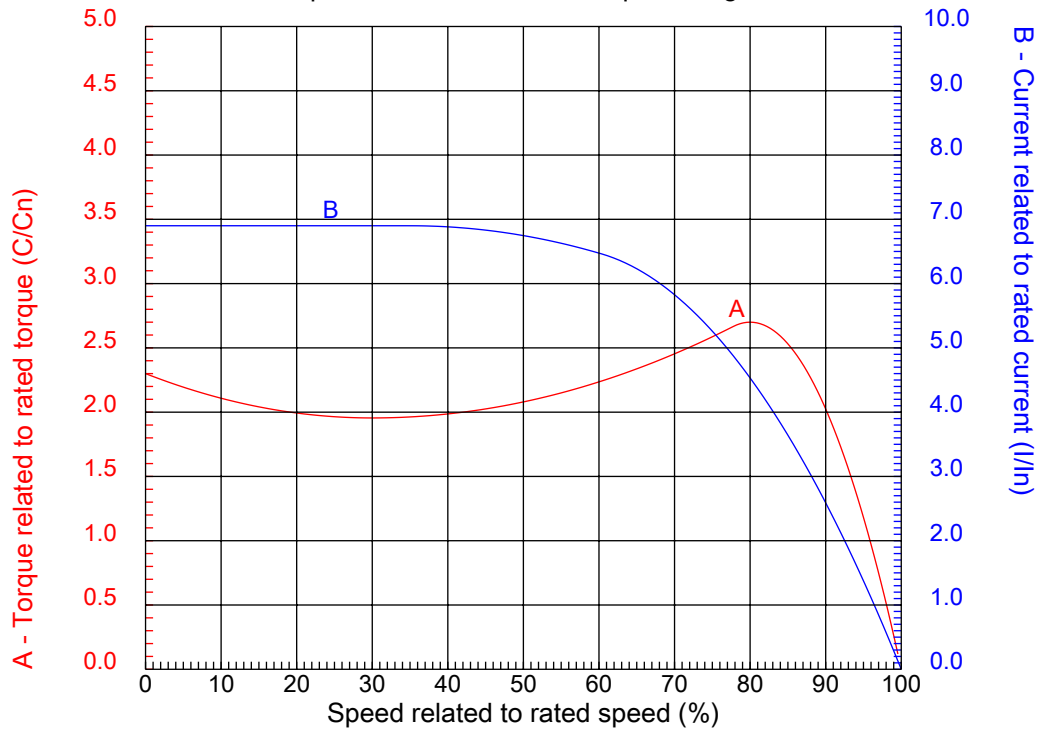
Dealers Industrial Equipment

No.:

Date: 23-SEP-2016

CHARACTERISTIC CURVES RELATED TO SPEED

Three-phase induction motor - Squirrel cage rotor



Customer :
Product line : W22 NEMA Premium - Ball Bearings

| | | | |
|------------------|--------------------|--|---------|
| Frame | : 256T | Locked rotor current (I _l /I _n) | : 6.9 |
| Output | : 20 HP | Duty cycle | : S1 |
| Frequency | : 60 Hz | Service factor | : 1.25 |
| Full load speed | : 1765 rpm | Design | : B |
| Voltage | : 208-230/460 V | Locked rotor torque | : 230 % |
| Rated current | : 53.3-48.2/24.1 A | Breakdown torque | : 270 % |
| Insulation class | : F | | |

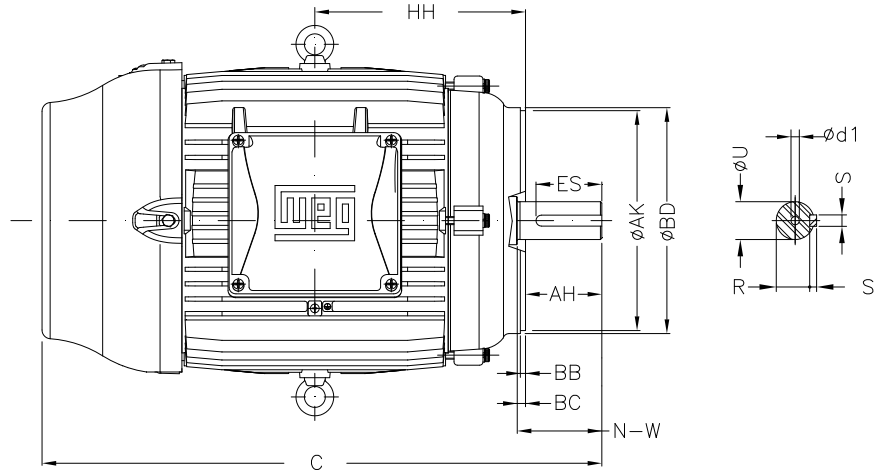
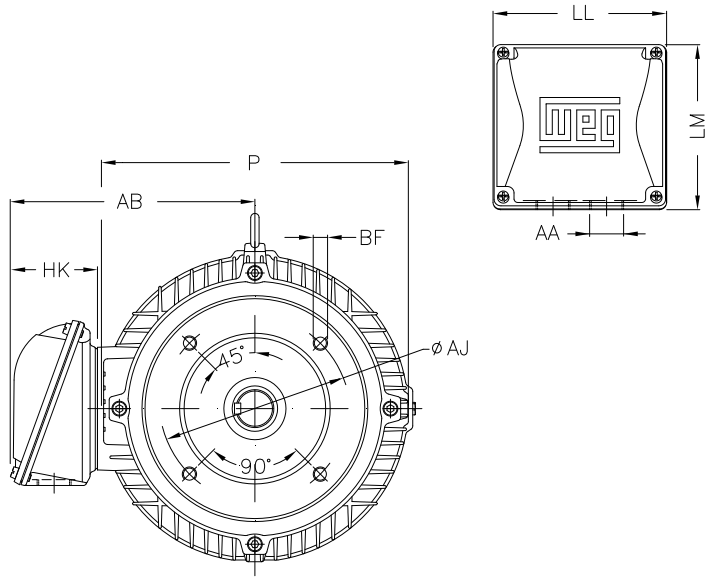
Notes:
Downloaded from <http://dealerselectric.com>
Generated for Model #02018ET3ER256TC-W22

Performed by

Checked

1 2 3 4 5 6 7 8

A
B
C
D
E



Notes: Downloaded from <http://dealerselectric.com>
Generated for Model #02018ET3ER256TC-W22

Performed by:

Checked:

Customer:

| | | | | |
|--------|--------|-------|------------|-------------|
| P | AB | U | N-W | ES |
| 12.953 | 10.483 | 1.625 | 4.000 | 2.756 |
| S | R | depth | HH | HK |
| 0.375 | 1.416 | 0.375 | 9.250 | 3.976 |
| C | LL | LM | AA | d1 |
| 24.945 | 7.815 | 7.480 | NPT 1 1/2" | A 4 |
| Flange | AJ | AK | BD | BF |
| FC-184 | 7.250 | 8.500 | 8.875 | UNC 1/2"x13 |
| BB | BC | AH | | |
| 0.250 | 0.250 | 3.750 | | |

W22 NEMA Premium - Ball Bearings

Three-phase induction motor
Frame 256T - IP55

23-SEP-2016



1 2 3 4 5 6 7 8

A
B
C
D
E
F

LOW VOLTAGE

HIGH VOLTAGE



CONNECTIONS FOR STARTING ONLY:

LOW VOLTAGE

HIGH VOLTAGE



Notes: Downloaded from <http://dealerselectric.com>
Generated for Model #02018ET3ER256TC-W22

Performed by:

Checked:

Customer:

W22 NEMA Premium - Ball Bearings

Three-phase induction motor
Frame 256T - IP55

23-SEP-2016

