



Dealers Industrial Equipment

No.:

Date: 23-SEP-2016

Customer :

TECHNICAL PROPOSAL

Three-phase induction motor - Squirrel cage rotor

Product line : Three-Phase : Rolled Steel Motor - High Efficiency

Catalog Number : 02018EP3ERSR256TC

List Price : \$1,658

Notes:

Downloaded from <http://dealerselectric.com>

Generated for Model #02018EP3ERSR256TC

Performed by:

Checked:



Dealers Industrial Equipment

No.:

Date: 23-SEP-2016

DATA SHEET Three-phase induction motor - Squirrel cage rotor

Customer :
 Product line : Three-Phase : Rolled Steel Motor - High Efficiency

Frame : 254/6T
 Output : 20 HP
 Frequency : 60 Hz
 Poles : 4
 Full load speed : 1755 rpm
 Slip : 2.50 %
 Voltage : 230/460 V
 Rated current : 49.8/24.9 A
 Locked rotor current : 309/154 A
 Locked rotor current (I_L/I_n) : 6.2
 No-load current : 20.6/10.3 A
 Full load torque : 59.0 lb.ft
 Locked rotor torque : 260 %
 Breakdown torque : 260 %
 Design : B
 Insulation class : F
 Temperature rise : 80 K
 Locked rotor time : 12 s (hot)
 Service factor : 1.15
 Duty cycle : S1
 Ambient temperature : -20°C - +40°C
 Altitude : 1000 m
 Degree of Protection : IP55
 Approximate weight : 232 lb
 Moment of inertia : 2.8580 sq.ft.lb
 Noise level : ---

	D.E.	N.D.E.
Bearings	6309 ZZ	6209 ZZ
Regreasing interval	---	---
Grease amount	---	---

Load	Power factor	Efficiency (%)
100%	0.83	91.0
75%	0.78	91.7
50%	0.68	91.0

Notes:
 Downloaded from <http://dealerselectric.com>
 Generated for Model #02018EP3ERSR256TC

Performed by

Checked



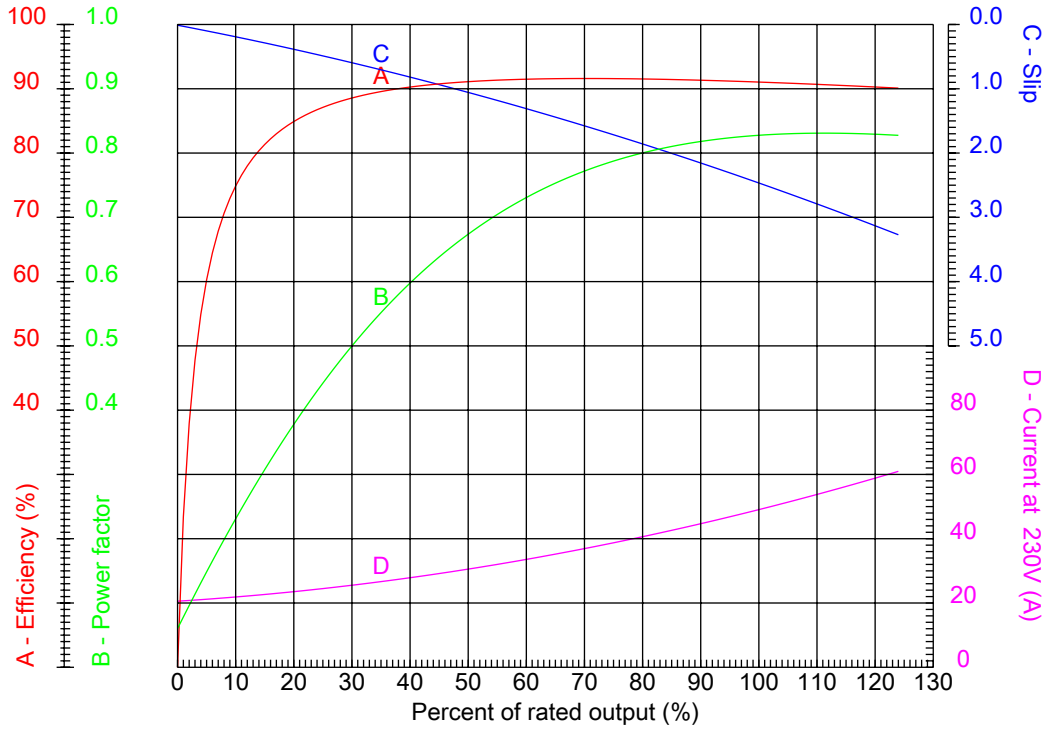
Dealers Industrial Equipment

No.:

Date: 23-SEP-2016

PERFORMANCE CURVES RELATED TO RATED OUTPUT

Three-phase induction motor - Squirrel cage rotor



Customer :
Product line : Three-Phase : Rolled Steel Motor - High Efficiency

Frame : 254/6T	Locked rotor current (I _l /I _n) : 6.2
Output : 20 HP	Duty cycle : S1
Frequency : 60 Hz	Service factor : 1.15
Full load speed : 1755 rpm	Design : B
Voltage : 230/460 V	Locked rotor torque : 260 %
Rated current : 49.8/24.9 A	Breakdown torque : 260 %
Insulation class : F	

Notes:
Downloaded from <http://dealerselectric.com>
Generated for Model #02018EP3ERSR256TC

Performed by

Checked



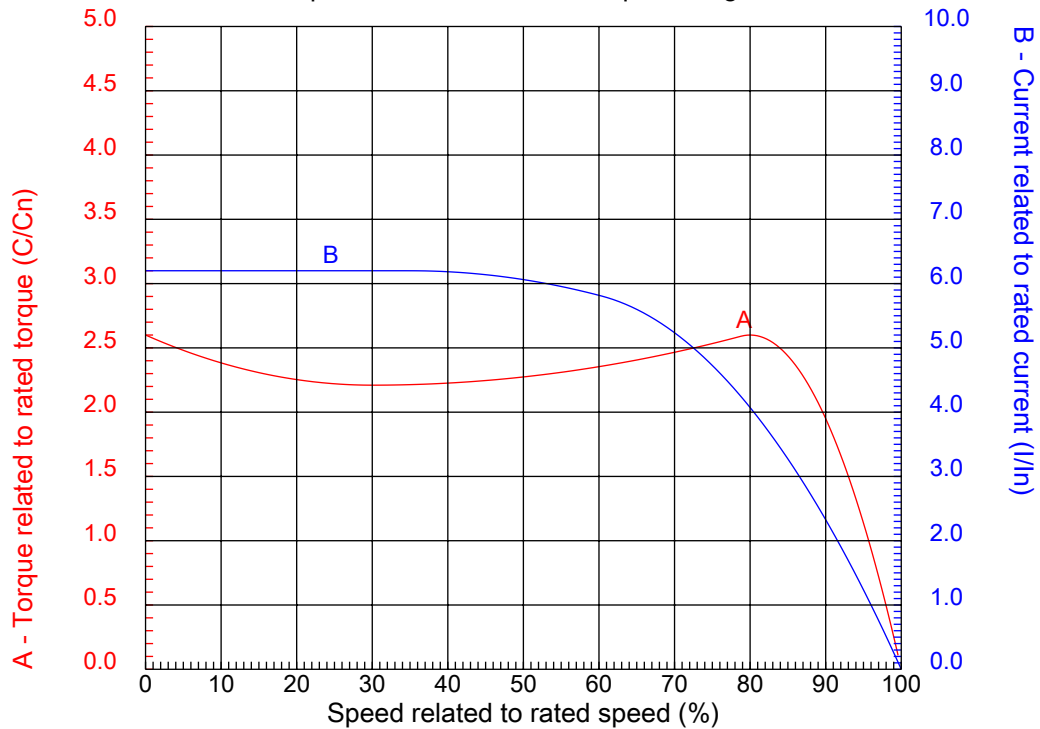
Dealers Industrial Equipment

No.:

Date: 23-SEP-2016

CHARACTERISTIC CURVES RELATED TO SPEED

Three-phase induction motor - Squirrel cage rotor



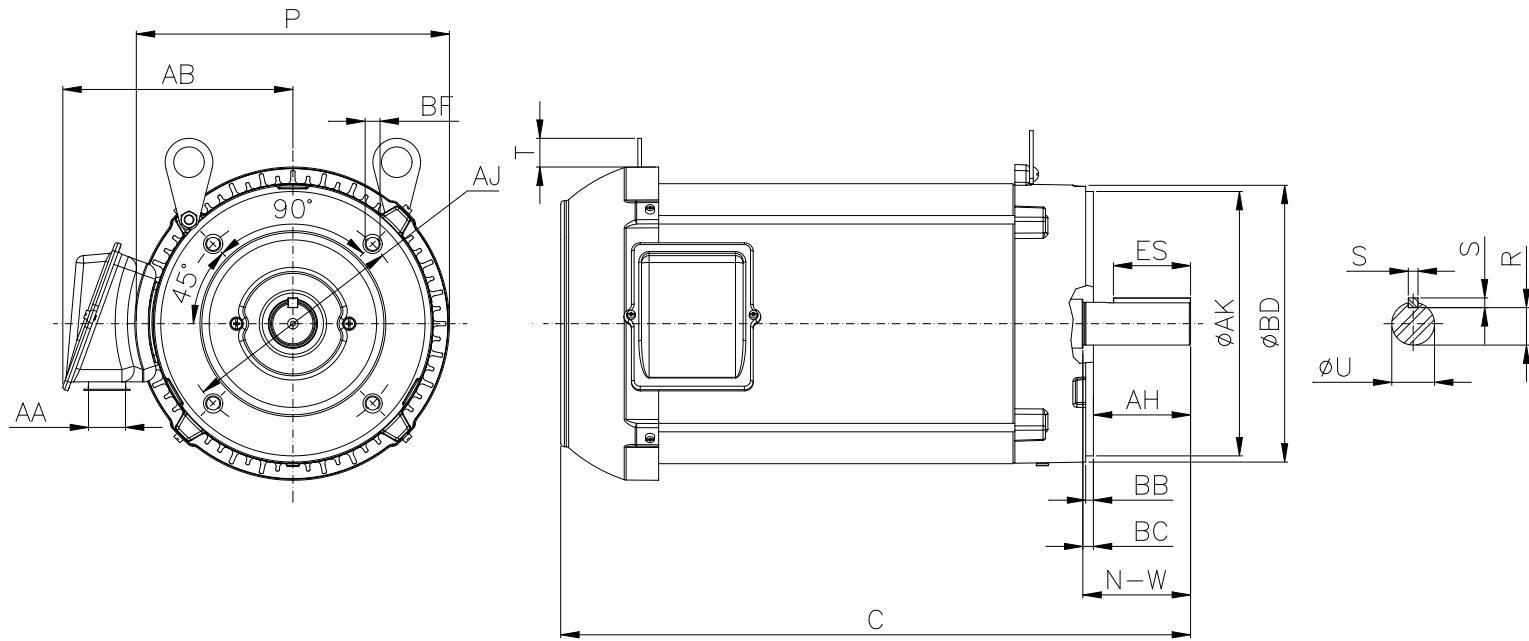
Customer :
Product line : Three-Phase : Rolled Steel Motor - High Efficiency

Frame	: 254/6T	Locked rotor current (I _l /I _n)	: 6.2
Output	: 20 HP	Duty cycle	: S1
Frequency	: 60 Hz	Service factor	: 1.15
Full load speed	: 1755 rpm	Design	: B
Voltage	: 230/460 V	Locked rotor torque	: 260 %
Rated current	: 49.8/24.9 A	Breakdown torque	: 260 %
Insulation class	: F		

Notes:
Downloaded from <http://dealerselectric.com>
Generated for Model #02018EP3ERSR256TC

Performed by

Checked



Notes: Downloaded from <http://dealerselectric.com>
 Generated for Model #02018EP3ERSR256TC

Performed by:

Checked:

Customer:

Three-Phase : Rolled Steel Motor - High Efficiency

P	AB	U	N-W	ES
11.181	7.819	1.625	4.000	2.756
S	R	depth	C	d1
0.375	1.416	0.375	24.925	A 4
d2	Flange	AJ	AK	BD
A 4	FC-184	7.250	8.500	8.875
BF	BB	BC	AH	
UNC 1/2"x13	0.250	0.250	3.750	

Three-phase induction motor
 Frame 254/6T - IP55

23-SEP-2016



1 2 3 4 5 6 7 8

A
B
C
D
E
F

LOW VOLTAGE

HIGH VOLTAGE



CONNECTIONS FOR STARTING ONLY:

LOW VOLTAGE

HIGH VOLTAGE



Notes: Downloaded from <http://dealerselectric.com>
Generated for Model #02018EP3ERSR256TC

Performed by:

Checked:

Customer:

Three-Phase : Rolled Steel Motor - High Efficiency

Three-phase induction motor
Frame 254/6T - IP55

23-SEP-2016

