



# Dealers Industrial Equipment

No.:

Date: 23-SEP-2016

Customer :

## TECHNICAL PROPOSAL

### Three-phase induction motor - Squirrel cage rotor

Product line : Oil Well Pumping : High Slip - NEMA Design "D" - TEFC (IP55)

Catalog Number : 02012ES3EOW286T

List Price : \$3,162

#### Notes:

Downloaded from <http://dealerselectric.com>

Generated for Model #02012ES3EOW286T

Performed by:

Checked:



# Dealers Industrial Equipment

No.:

Date: 23-SEP-2016

## DATA SHEET

### Three-phase induction motor - Squirrel cage rotor

Customer :  
 Product line : Oil Well Pumping : High Slip - NEMA Design "D" - TEFC (IP55)

Frame : 286T  
 Output : 20 HP  
 Frequency : 60 Hz  
 Poles : 6  
 Full load speed : 1115 rpm  
 Slip : 7.08 %  
 Voltage : 208-230/460 V  
 Rated current : 54.4-49.2/24.6 A  
 Locked rotor current : 330/165 A  
 Locked rotor current (I<sub>L</sub>/I<sub>n</sub>) : 6.7  
 No-load current : 16.0/8.00 A  
 Full load torque : 92.9 lb.ft  
 Locked rotor torque : 320 %  
 Breakdown torque : 0 %  
 Design : D  
 Insulation class : F  
 Temperature rise : 80 K  
 Locked rotor time : 14 s (hot)  
 Service factor : 1.15  
 Duty cycle : S1  
 Ambient temperature : -20°C - +40°C  
 Altitude : 1000 m  
 Degree of Protection : IP55  
 Approximate weight : 467 lb  
 Moment of inertia : 7.8537 sq.ft.lb  
 Noise level : 59 dB(A)

	D.E.	N.D.E.
Bearings	6311 C3	6211 C3
Regreasing interval	20000 h	20000 h
Grease amount	18 g	11 g

Load	Power factor	Efficiency (%)
100%	0.89	86.0
75%	0.85	87.0
50%	0.78	86.0

Notes:  
 Downloaded from <http://dealerselectric.com>  
 Generated for Model #02012ES3EOW286T

Performed by

Checked

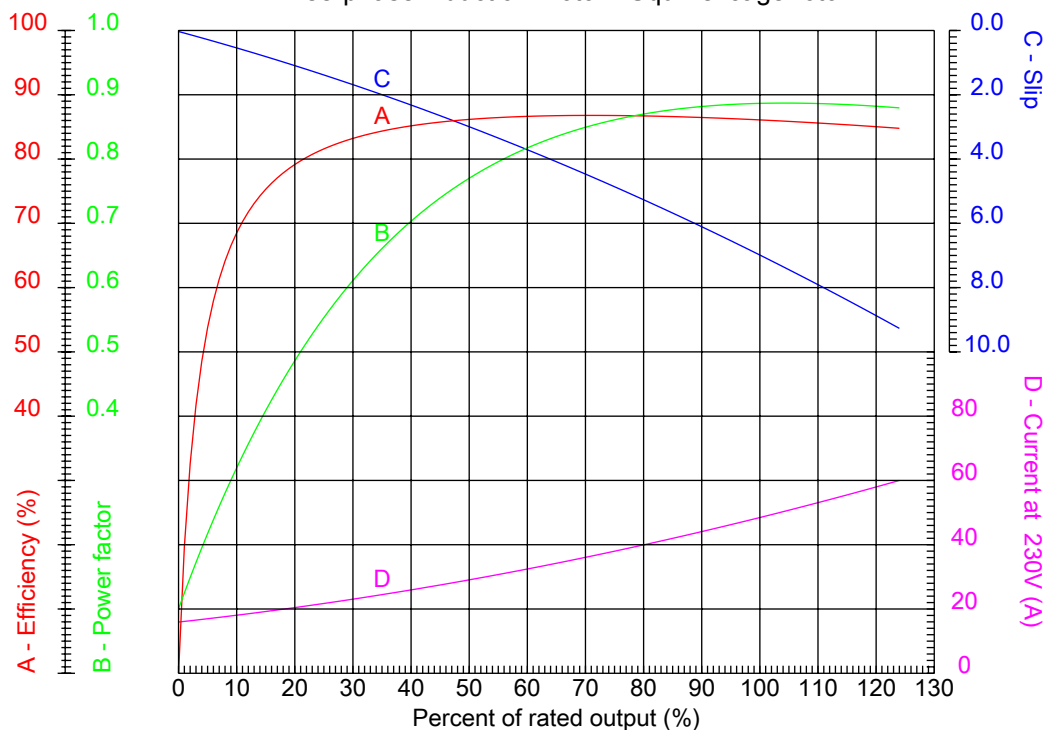


# Dealers Industrial Equipment

No.:

Date: 23-SEP-2016

## PERFORMANCE CURVES RELATED TO RATED OUTPUT Three-phase induction motor - Squirrel cage rotor



Customer :  
 Product line : Oil Well Pumping : High Slip - NEMA Design "D" - TEFC (IP55)

Frame	: 286T	Locked rotor current (I <sub>l</sub> /I <sub>n</sub> )	: 6.7
Output	: 20 HP	Duty cycle	: S1
Frequency	: 60 Hz	Service factor	: 1.15
Full load speed	: 1115 rpm	Design	: D
Voltage	: 208-230/460 V	Locked rotor torque	: 320 %
Rated current	: 54.4-49.2/24.6 A	Breakdown torque	: 0 %
Insulation class	: F		

Notes:  
 Downloaded from <http://dealerselectric.com>  
 Generated for Model #02012ES3EOW286T

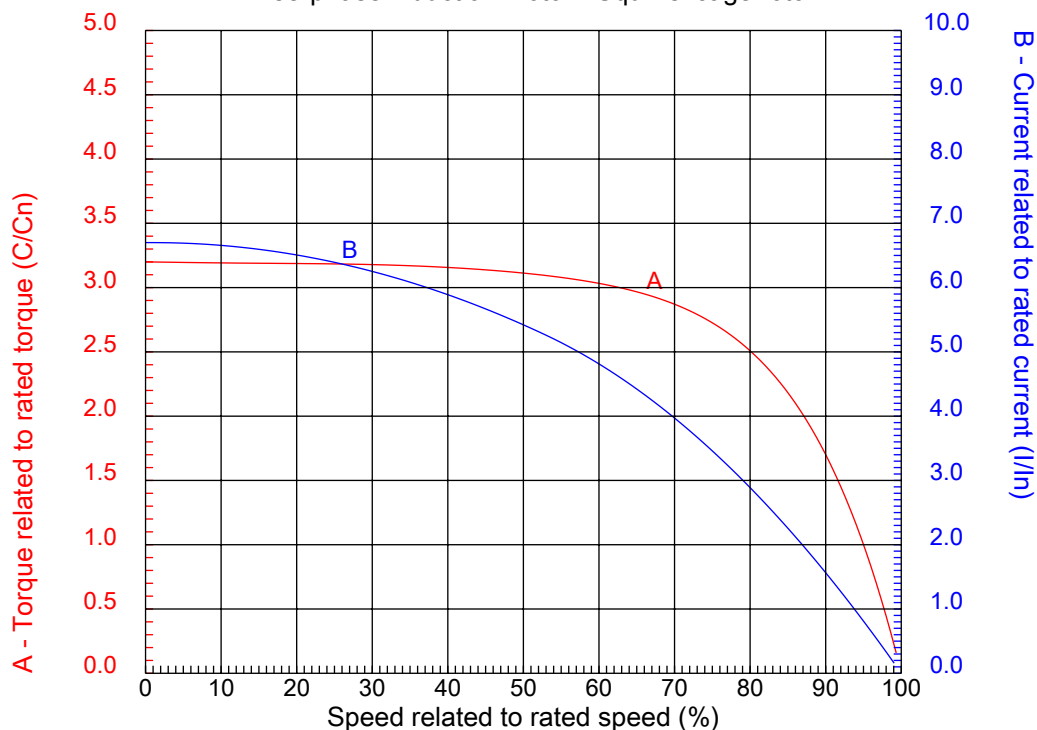
Performed by

Checked



## CHARACTERISTIC CURVES RELATED TO SPEED

Three-phase induction motor - Squirrel cage rotor



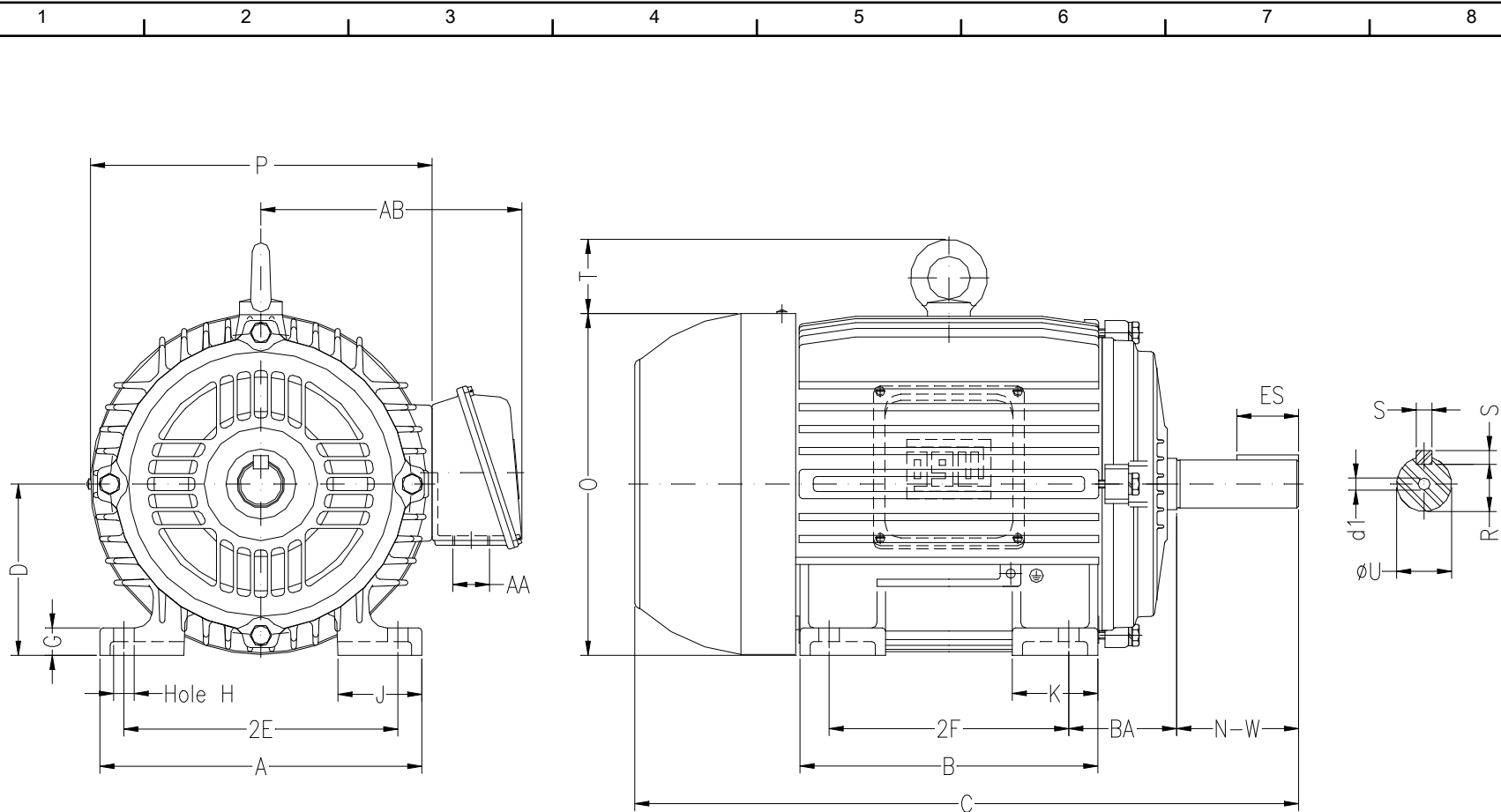
Customer :  
Product line : Oil Well Pumping : High Slip - NEMA Design "D" - TEFC (IP55)

Frame	: 286T	Locked rotor current (I <sub>l</sub> /I <sub>n</sub> )	: 6.7
Output	: 20 HP	Duty cycle	: S1
Frequency	: 60 Hz	Service factor	: 1.15
Full load speed	: 1115 rpm	Design	: D
Voltage	: 208-230/460 V	Locked rotor torque	: 320 %
Rated current	: 54.4-49.2/24.6 A	Breakdown torque	: 272 %
Insulation class	: F		

Notes:  
Downloaded from <http://dealerselectric.com>  
Generated for Model #02012ES3EOW286T

Performed by

Checked



Notes: Downloaded from <http://dealerselectric.com>  
 Generated for Model #02012ES3EOW286T

Performed by:

Checked:

Customer:

Oil Well Pumping : High Slip - NEMA Design "D" - TEFC (IP55)

Three-phase induction motor  
 Frame 286T - IP55

23-SEP-2016



2E 11.000	A 13.780	2F 11.000	B 13.071	BA 4.750
J 3.150	K 2.953	P 14.094	ES 3.149	depth 0.500
S 0.500	N-W 4.622	U 1.875	R 1.594	AB 10.866
D 7.000	G 1.016	O 14.067	T 2.087	H 0.531
C 27.929	AA NPT 1 1/2"	d1 A 4	d2 A 4	

1 2 3 4 5 6 7 8

A  
B  
C  
D  
E  
F

LOW VOLTAGE

HIGH VOLTAGE



CONNECTIONS FOR STARTING ONLY:

LOW VOLTAGE

HIGH VOLTAGE



Notes: Downloaded from <http://dealerselectric.com>  
Generated for Model #02012ES3EOW286T

Performed by:

Checked:

Customer:

Oil Well Pumping : High Slip - NEMA Design "D" - TEFC (IP55)

Three-phase induction motor  
Frame 286T - IP55

23-SEP-2016

